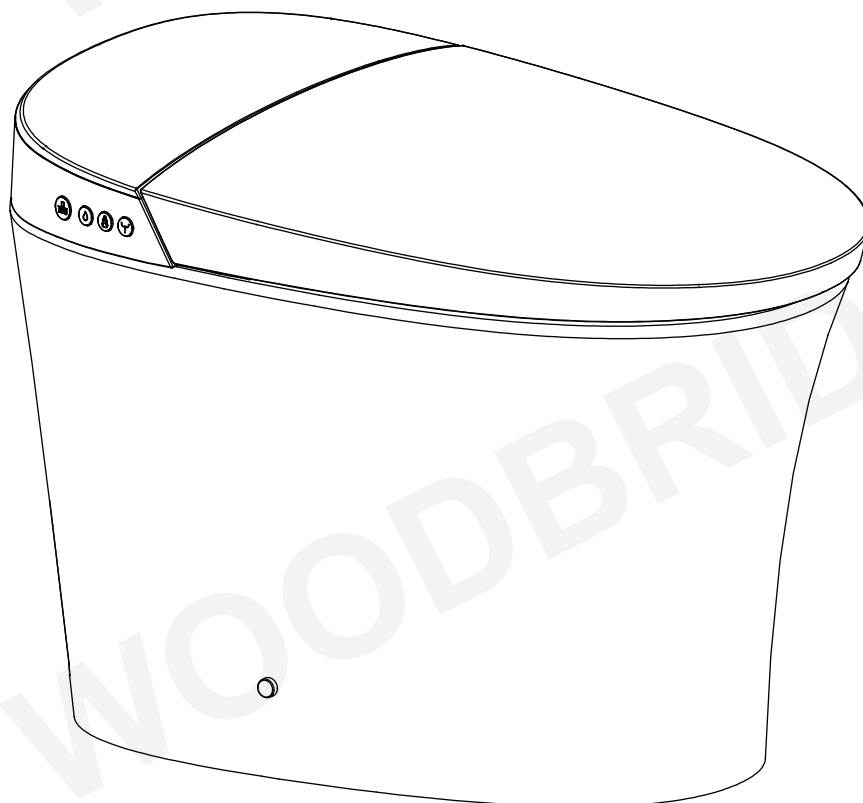


INSTALLATION MANUAL B0970S

WOODBIDGE[®] ELECTRONIC BIDET TOILET



Installation Manual

- Thank you for choosing our products. Please read the instructions carefully before installation and keep it available for future maintenance or reference.
- Our company reserves the right of final interpretation for this manual. The manual is subject to change without notice.

Customer Service Phone: 562-229-0088. (Monday - Friday 9 AM - 5 PM Pacific Time)
Or Email: help@woodbridgebath.com

When using electrical products, especially when children are present, basic safety precautions should always be followed, including the following:

1. The appliance is not to be used by persons (including children) with reduced physical, sensory or mental capabilities, or lack of experience and knowledge, unless they have been given supervision or instruction.
2. Children being supervised not to play with the appliance.
3. This appliance can be used by children aged from 8 years and above and persons with reduced physical, sensory or mental capabilities or lack of experience and knowledge if they have been given supervision or instruction concerning use of the appliance in a safe way and understand the hazards involved.
4. Children shall not play with the appliance.
5. Cleaning and user maintenance shall not be made by children without supervision.

READ ALL INSTRUCTIONS BEFORE USING



DANGER—To reduce the risk of electrocution:

1. Do not use while bathing.
2. Do not place or store product where it can fall or be pulled into a tub or sink.
3. Do not place in or drop into water or other liquid.
4. Do not reach for a product that has fallen into water. Unplug immediately.
5. Do not wash the main unit or electrical plug with water or detergent.
6. Do not handle the electrical plug with wet hands.
7. Do not put a hand or other staff over the outlet of air dryer or block the outlet of air dryer.
8. Never disassemble, repair or modify this product.
9. During installation, disassembly, repair and maintenance of the product, the power plug must be switched off and water supply be shut off.



WARNING—To reduce the risk of burns, electrocution, fire, or injury to persons.

1. Close supervision is necessary when this product is used by, on, or near children or invalids.
2. Use this product only for its intended use as described in this manual. Do not use attachments not recommended by the manufacturer.
3. Never operate this product if it has a damaged cord or plug, if it is not working properly, if it has been dropped or damaged, or dropped into water. Return the product to a service center for examination and repair.
4. Keep the cord away from heated surfaces.
5. Never use while sleeping or drowsy.
6. Never drop or insert any object into any opening or hose.
7. Do not use outdoors or operate where aerosol (spray) products are being used or where oxygen is being administered.
8. Connect this product to a properly grounded outlet only. See Grounding Instructions.
9. Do not throw cigarettes and other burning stuff into toilet, otherwise it might cause fire.
10. This product is electric appliance, so it must be placed far away from water. Please don't drench urine and other liquid to it.
11. Do not lay on side or upside the product during the electrical circuit.
12. It is prohibited to use other electric appliances in the same socket.
13. It is forbidden to use the power extension or unstable loose outlet.
14. The old aging water supply hose can not be used, otherwise it might cause leakage, fire or electrical shock. Installation of the bidet seat should include specified components and new water supply hose.



CAUTION—Indicates that failure to follow the instruction may cause body injury or property damage.

1. **MUST USE** supplied angle shut off valve with pre-installed filter net inside and flexible water hose for installation for optimal flushing performance. **DO NOT REUSE** any old angle valve and supply lines from old toilet because they were not coming with filter net.
2. It is strongly recommended cleaning all the filter nets when poor flush performance occurs and it is very important to remove all the debris, sand, mineral from water, to ensure an optimal flushing performance.
3. Do not install or use the product in wet places as steam room etc. This product must be connected to properly grounded power outlet socket.
4. It is recommended to use water-proof electrical outlet which should be installed in the place where is not easily got wet.
5. This product should be used with AC 110V-120V, 50/60Hz electrical current only, load current is at least 15A. Power plug must be equipped with ground fault circuit interrupter or ground fault electrical leakage protector or similar highly sensitive, rapid type leakage switch (Rated sensitive current under 6mA).
6. When it thunders, it is strongly recommended to pull out the power plug.
7. Do not stand on ceramic toilet.
8. Ceramic toilet must install floor fixing bolt.
9. Do not stand on product unit, seat, and cover.
10. Do not lean against the seat cover when using the product, to avoid damage.
11. This product is equipped with soft-closing seal cover. Heavy pressing or pushing may damage the soft-closing damper.
12. Do not use lacquer thinner, petrol, liquid medicine, detergent, Insecticide, toilet cleanser and scrubbing brush to clean the product.
13. Exposure to direct sunlight is prohibited.
14. Only use tap water or potable water; otherwise, it may cause chafing.
15. Do not connect water supply to heater outlet. Make sure inlet water temperature at 3~35°C
16. When the room temperature is under zero degree, please dry up the water tank, to avoid freezing.
17. Raise rest room temperature to prevent the toilet from damage due to freezing.
18. When move the product from cold or wet environment into normal room temperature, wait for 2 hours until the condensation water is fully volatilized. Doing so can prevent the product from electrical short-circuit.
19. When not using the product over three (3) days, drain the water out of the container and pull the electrical plug from the wall outlet.
20. Stop using the product and shut off the power when product malfunctions, please contact the service people for professional service.

Note:

1. Valve with 1/2" outlet offer better water flow than 3/8" outlet.

GROUNDING INSTRUCTIONS

This product should be grounded. In the event of an electrical short circuit, grounding reduces the risk of electric shock by providing an escape wire for the electric current. This product is equipped with a cord having a grounding wire with a grounding plug. The plug must be plugged into an outlet that is properly installed and grounded.



DANGER — Improper use of the grounding plug can result in a risk of electric shock.

WOODBIDGE[®]

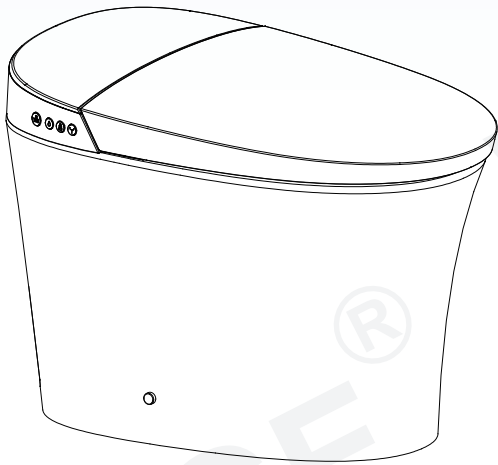
If repair or replacement of the cord or plug is necessary, do not connect the grounding wire to either flat blade terminal. The wire with insulation having an outer surface that is green with or without yellow stripes is the grounding wire.

This product is factory equipped with a specific electric cord and plug to permit connection to a proper electric circuit. Make sure that the product is connected to an outlet having the same configuration as the plug. No adapter should be used with this product. Do not modify the plug provided — if it will not fit the outlet, have the proper outlet installed by a qualified electrician. If the product must be reconnected for use on a different type of electric circuit, the reconnection should be made by qualified service personnel.

SAVE THESE INSTRUCTIONS

Model		B0970S
Main Unit	Rating pressure	110V-120V, 50/60Hz
	Rating power	1200W-1400W
	Overall unit Waterproof	IPX4
	Electrical wire	length is about 1.8m
Toilet	Flush volume	1.28GPF/4.8LPF (Full 1.6G/6.0L,Half 1.1G/4.1L)
	Flushing mode	Siphonic jet
	Rough-in distance	12"
	Outlet outside diameter	3 1/2"
	Drainage method	Down-drain
	Water pressure range	0.07MPa (dynamic water pressure)--0.8MPa (static water pressure)
Cleaning device	Heating mode	Instant heated
	Heating power	1400W
	Water temperature	6 different level adjustment
	Water volume	3 different level adjustment
	Cleansing mode	Rear washing/Moving washing , Front washing/ Moving washing,
	Spray cleansing location	5 different level adjustment
	Water pressure protector	Pressure stabilizer, Automatic pressure discharging
	Anti-fouling device	Automatic cleansing nozzle, Anti-syphon device, Anti-backflow device, Filter device
	Safety device	Thermal fuse, Water temperature sensor, Ground protection, Thermostat, Over temperature protection, Leakage protection plug
Drying device	Warm air volume	Over 0.2m ³ /min
	Warm wind temperature	6 different level adjustment
	Heating power	250W
	Safety device	Thermal fuse, Temperature sensor, Thermostat

Model		B0970S
Deodorization	Deodorization Method	Diatoms Deodorization
Heated seat	Surface temperature	6 different level adjustment
	Heating power	50W
	Open and close device	Quiet soft-closing device
	Heated burning protection	The seat temperature will automatically lower to level 1 in 10 minutes after using
	Safety device	Sensed area, Temperature sensor, Thermal fuse, Bimetal thermostat, Leakage protection plug
Caring device	Night light assembly	Intelligent, type and off for most of the time
	User ID setting	To avoid disturbance from remote controls by multi-user
	Automatic flushing	Toilet will automatically flush as user walks away from bowl
	Foot-sensing flushing function	Enables foot-sensing flushing function
Antibacterial position		Seat, Spray nozzle



Main Unit



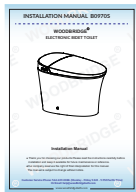
Remote Control Unit



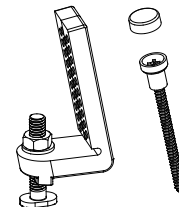
Sealing Flange



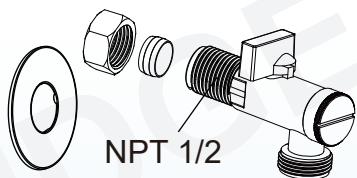
Installation Template



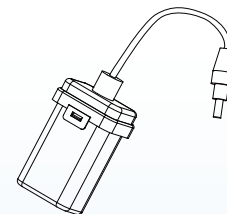
Installation Manual



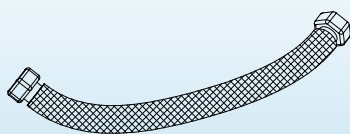
Mounting accessory kit



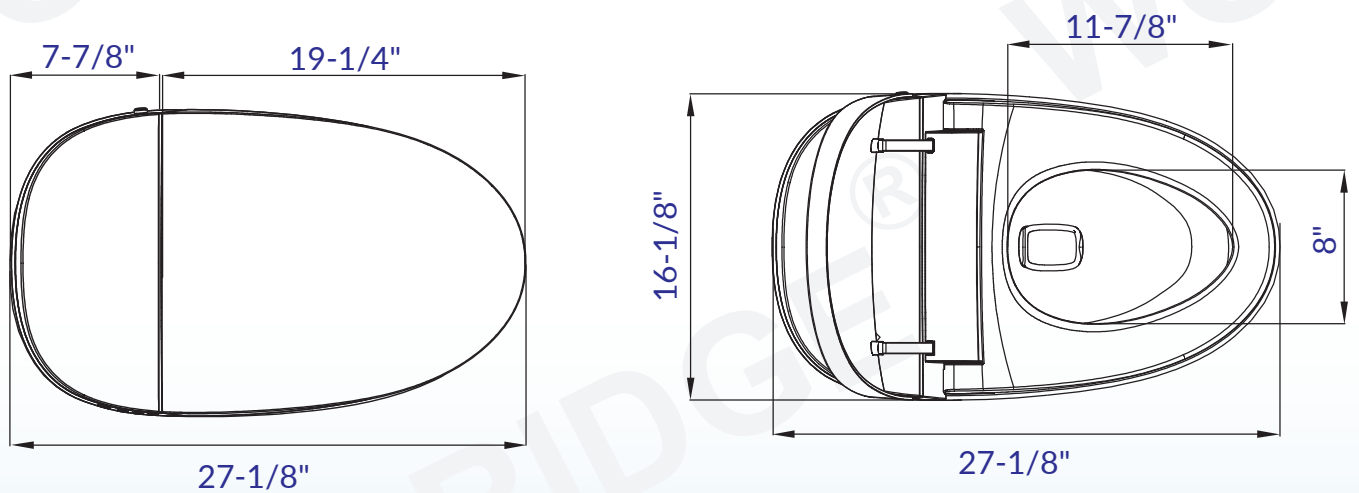
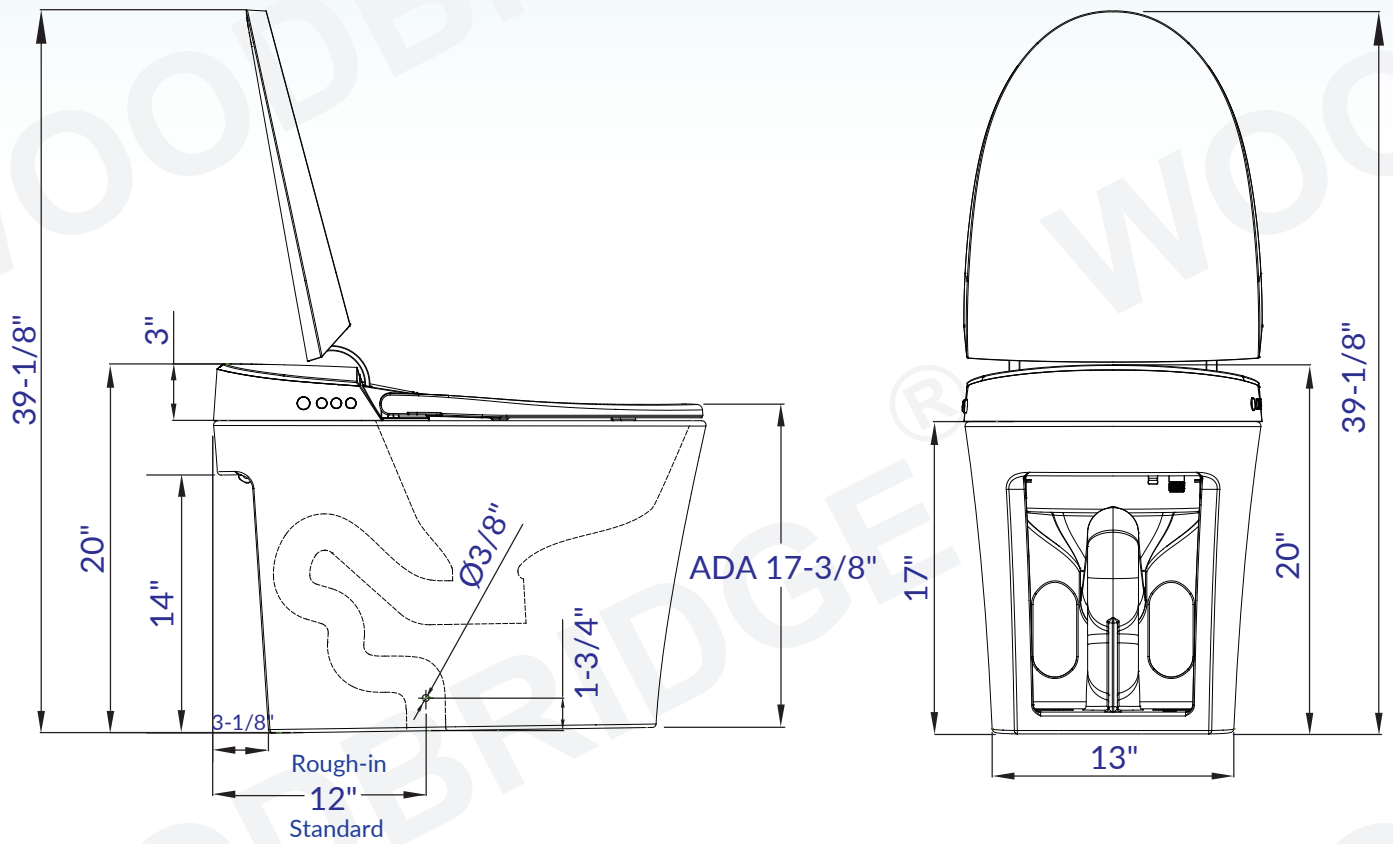
Angle Valve option



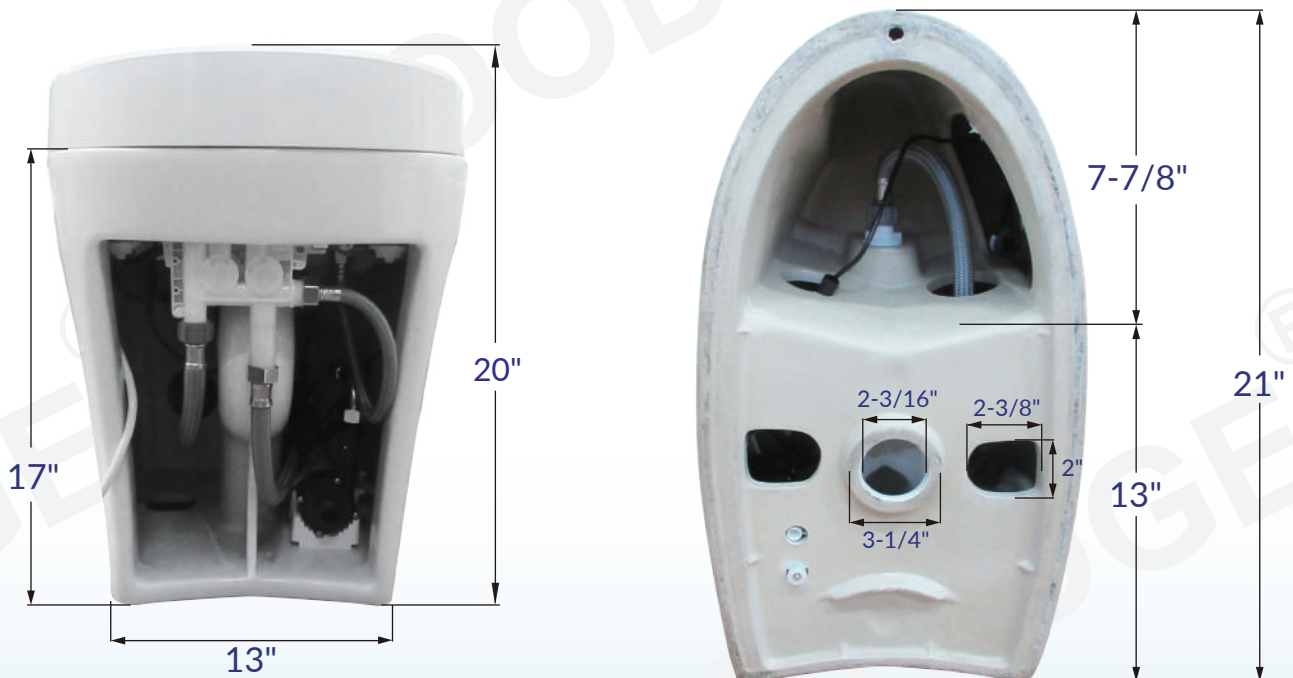
Battery box



Flexible hose (pre-installed)

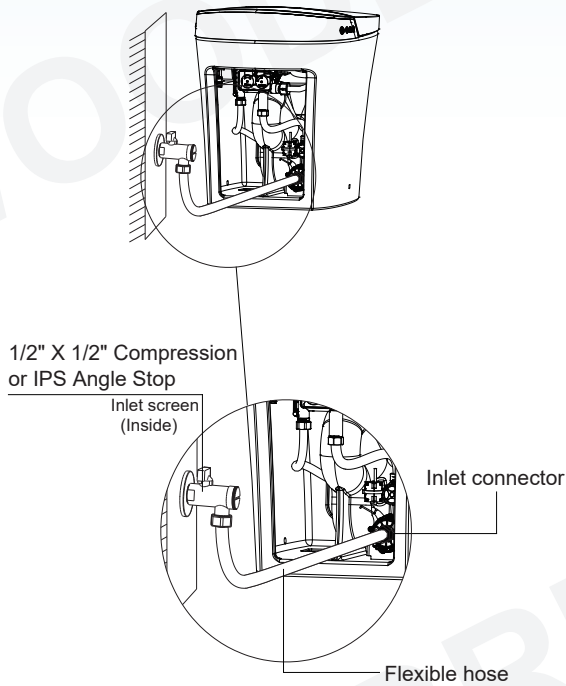


The product drawing is for reference only, and we reserve the right to modify the appearance of the product.

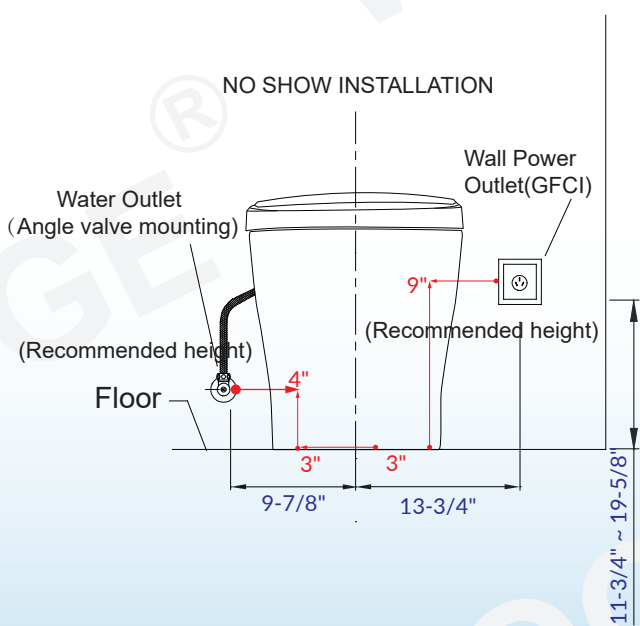
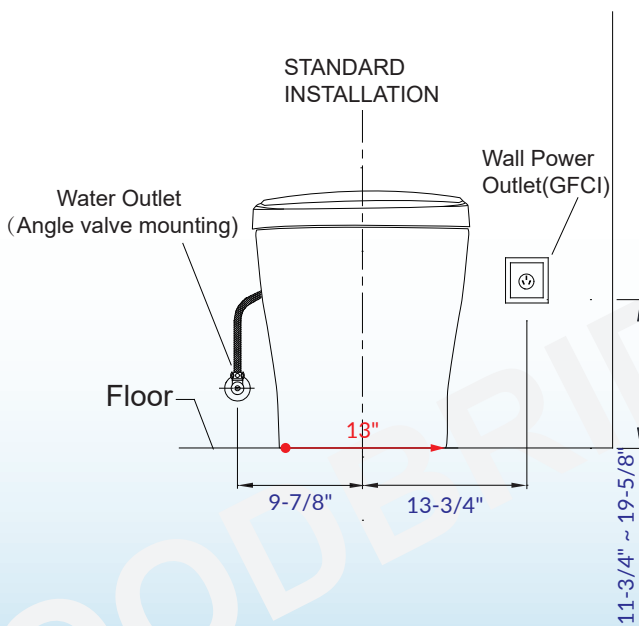
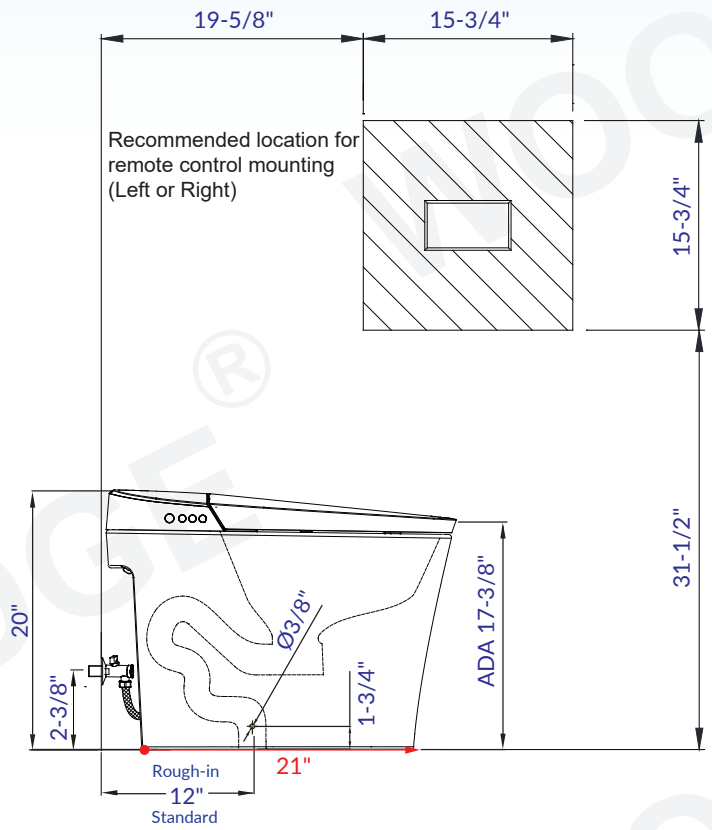


The product drawing is for reference only, and we reserve the right to modify the appearance of the product.

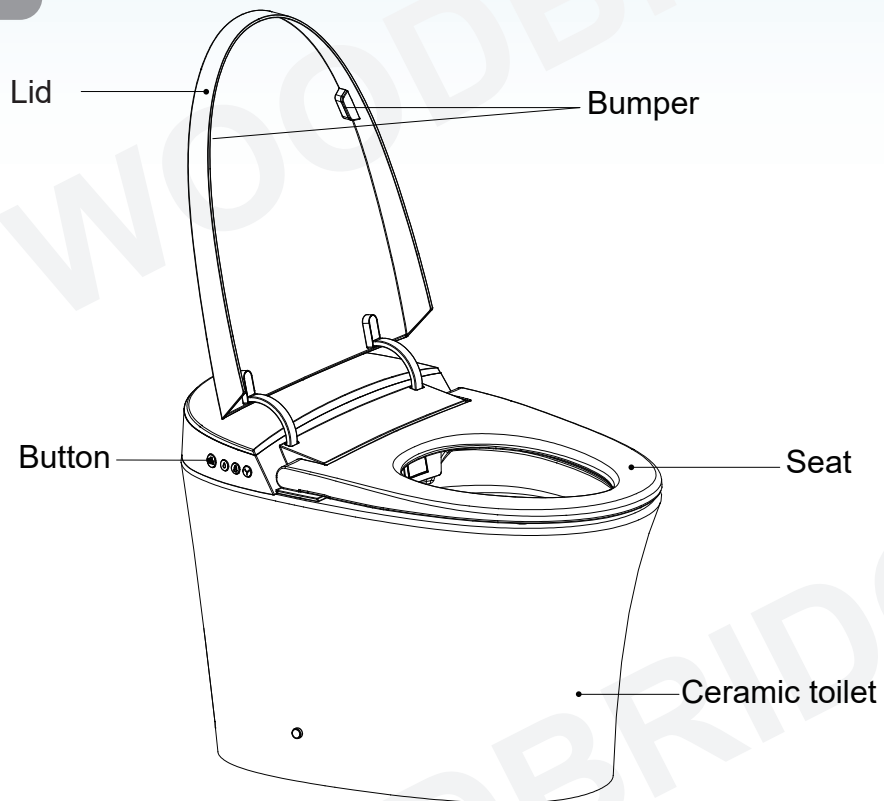
Installation Option



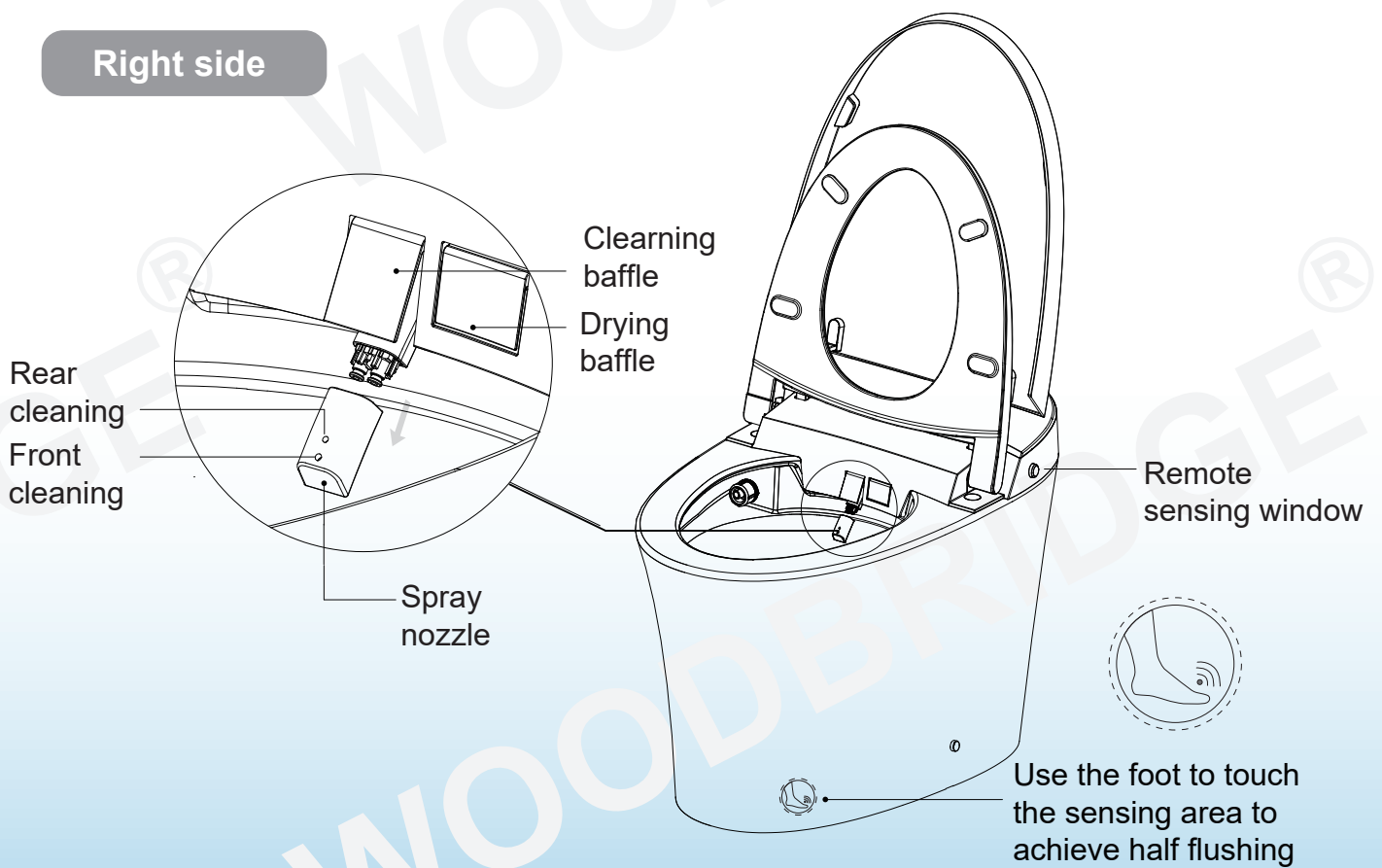
- Connect the water inlet and angle valve of the toilet with the matching hose and tighten it



Left side

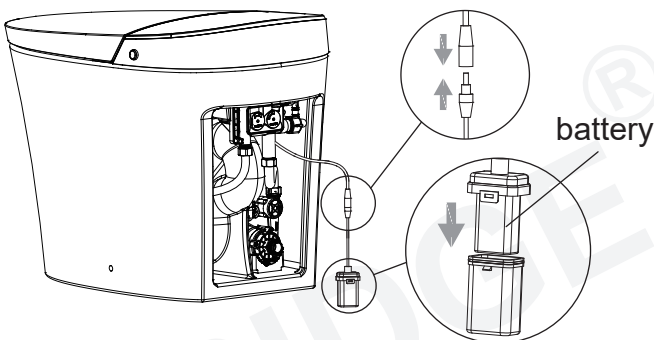


Right side



1. Installation of Battery box

- * Use supplied external battery box for flushing when there is out of power.
- * Connect DC connector on the battery box to the wire cable from toilet.
- * Place external battery box at the bottom of the toilet.

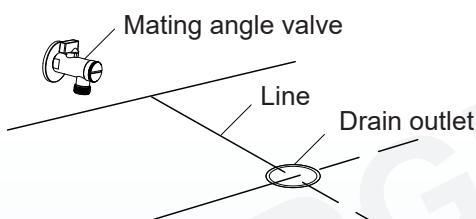


Note:

- (1). Use 6LR61, 9V battery for external battery box.
- (2). Connect external battery box to the toilet's cable and use it when there is a power outage, Disconnect the battery box when not in use.

2. Installation of angle valve

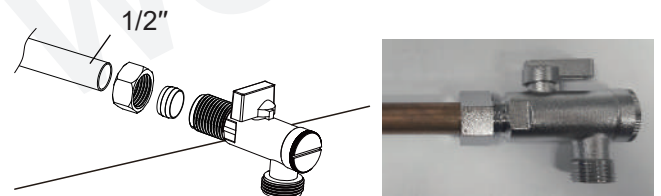
- Draw drain outlet centerline on the floor, install angle valve at proper position on wall according to dimension of toilet.



Note:

- (1). **MUST use** this supplied angle valve with pre-installed filter net inside and flexible water hose for installation, not using supplied angle valve and flexible water hose will result in poor flushing performance and clogged bidet water way. **DO NOT reuse** old angle valve and supply lines from old toilet, other angle valves in the market are without filter net which will allow debris or sand run through water way.
- (2). Please contact a plumbing professional to replace an existing angle valve.

Installation Method A: Copper water supply installation (copper tube is not included, and can be find in hardware store)



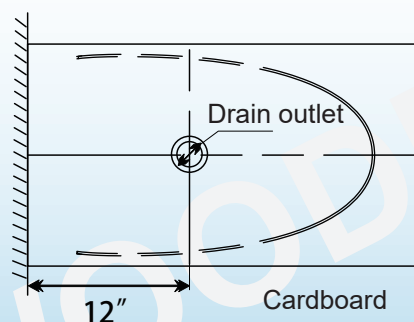
Installation Method B: Dog Ear 90 installation



(Dog ear brass fitting is not included, and can be find in hardware store)

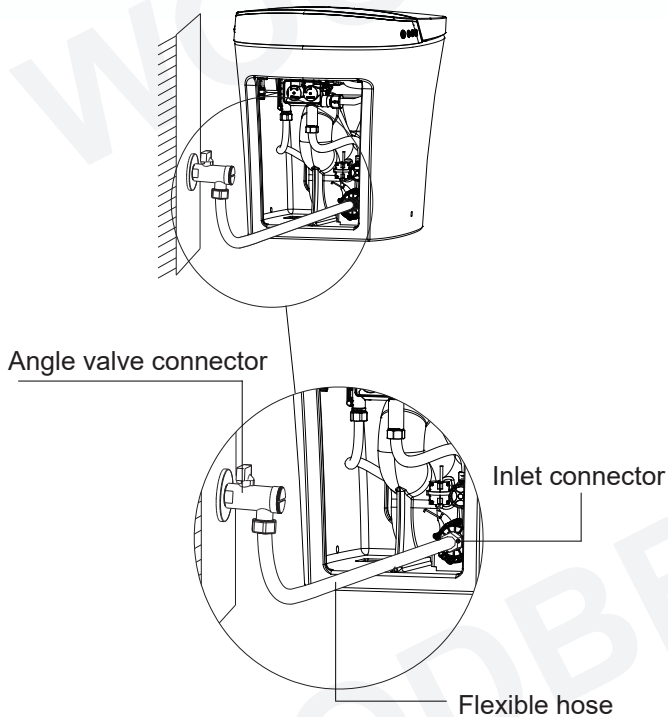
3. Template installation

- Align cardboard with the centerline of drain outlet;
- Draw contour line according to cardboard;



4. Hose

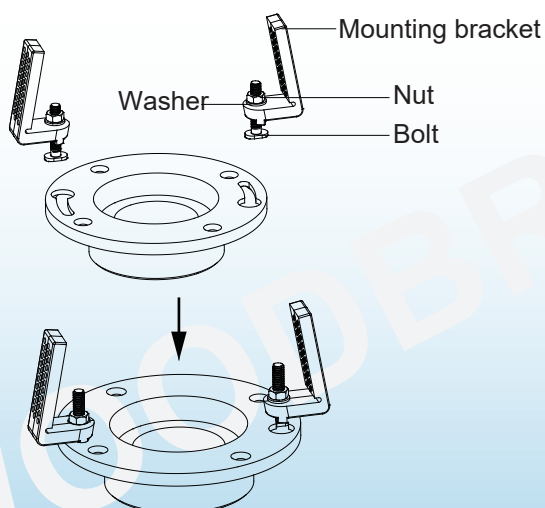
- Connect the water inlet and angle valve of the toilet with the matching hose and tighten it



Note: Please use this supplied water supply hose, to ensure optimal flushing performance.

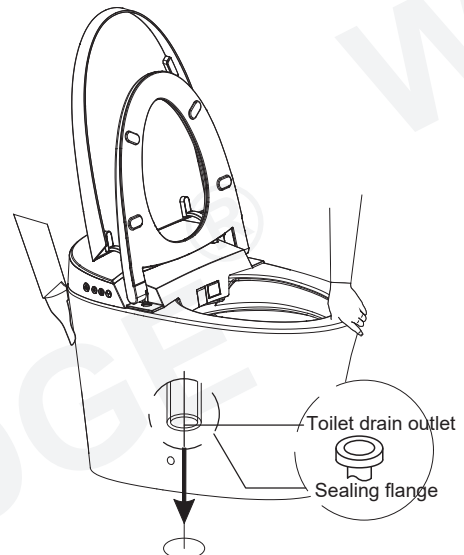
5. Mounting bracket installation

- Assemble the mounting bracket with bolts and then secure them to the pre-installed flange on the ground and tighten with nuts.



6. Ceramic toilet installation

- Install sealing flange on drain outlet;
- Install ceramic toilet on corresponding position according to contour line.

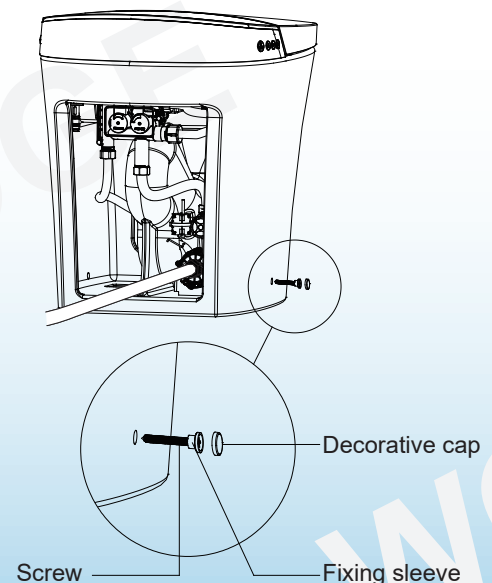


Tips:

1. The toilet is heavy, as it needs to open the seat cover and carry by 2 adults.
2. Clean drain outlet before installation.
3. Make sure ceramic toilet outlet sits perfectly on drain outlet.

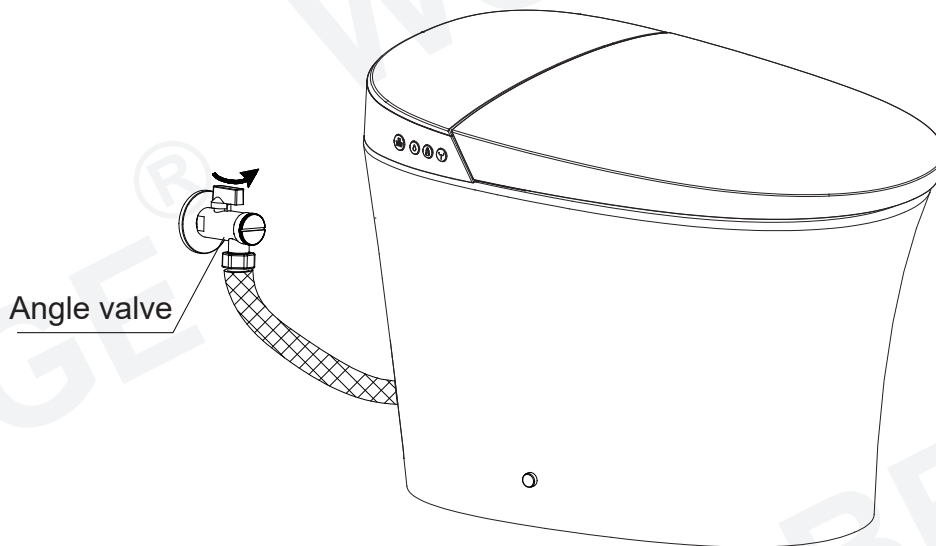
7. Screw installation

- Put the screw through the fixing sleeve and then install it through the holes (on both sides of the toilet ceramic) to the mounting bracket on the ground, and lock tight with a tool;
- Put the decorative cap on the fixing sleeve.



1. Turn on the angle valve

Check thread connection, make sure no leakage is found, turn on angle valve anticlockwise to maximum.
(Tips: When opening for the first time, the angle valve lever has a larger torque)



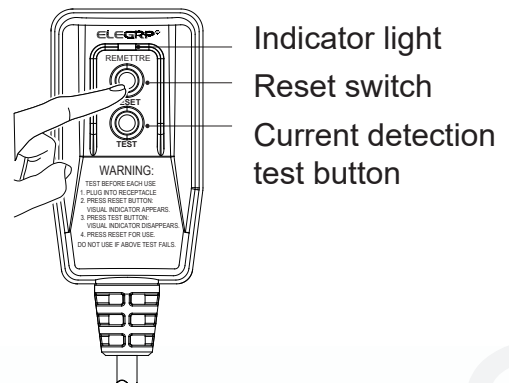
2. Power Connection

- Insert the leakage protection plug into a power socket, press the reset switch, plug indicator lights up, indicating that the power is on.

Note:

Press the test button prior to usage, the reset switch pops up indicating that the leakage protection function is normal.

Press the TEST button (then RESET button) every month to assure proper operation.



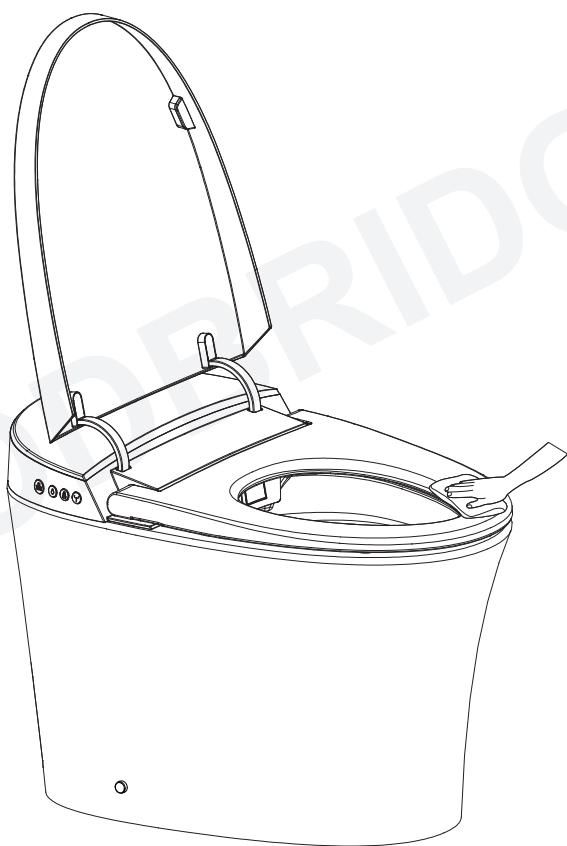
- * Only for models with leakage protection plug.
- * Please refer to the actual product.

3. Self-inspection

1. The main unit buzzer rings "beep", first blue light on, then blue light off; red light up again, start self-inspection.
2. The main unit buzzer rings another "beep", self-inspection finish.
3. Start function mode for normal usage.

Main unit care and maintenance

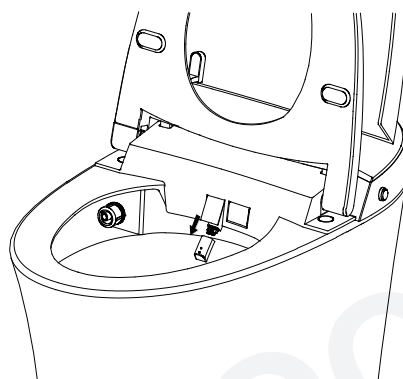
1. Shut off power supply at maintenance.
2. Wipe the stain with a soft damp cloth.
Caution: Do not use any abrasive cleaner for cleaning.



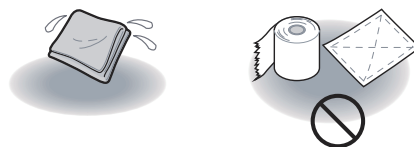
3. Safety self-inspection
 - After cleaning, re-connect the toilet with the power supply.

Spray nozzle maintenance and care

1. Nozzle self-cleaning
 - When no user is seated, press the “rear cleaning button” on the main unit to start nozzle self-cleaning manually, the nozzle will automatically move forward and clean itself with water.
2. Spray nozzle disassemble
 - When the nozzle moves forward, the nozzle can be disassembled to clean.



3. Use soft cloth or soft brush to clean
 - Do not pull or push the spray rod, to avoid damage.

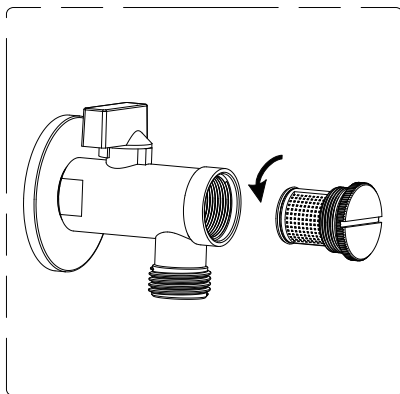


4. Nozzle retraction
 - Put the nozzle back to the front of the boom and press the “Stop” button to automatically retract the nozzle.

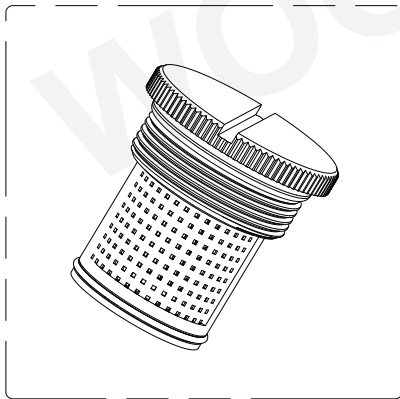
Maintenance of filter net

Time for maintenance: It is under normal water pressure but poor flush performance occurs.

1. Turn off power and the angle valve
2. Unscrew angle valve nut



3. Remove filter net

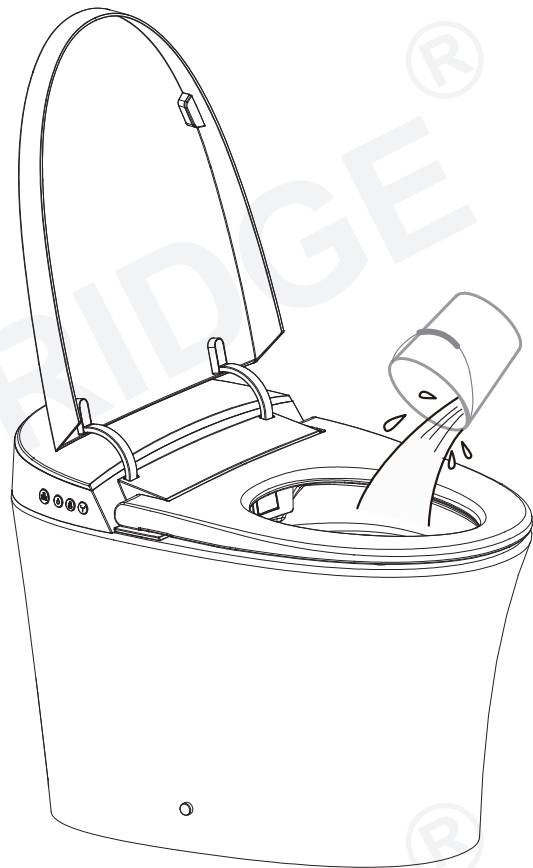


4. Use the brush to clean filter net
5. Reinstall filter net and angle valve nut
6. Turn on the angle valve and connect power, then it can work normally after self inspection.

No water supply

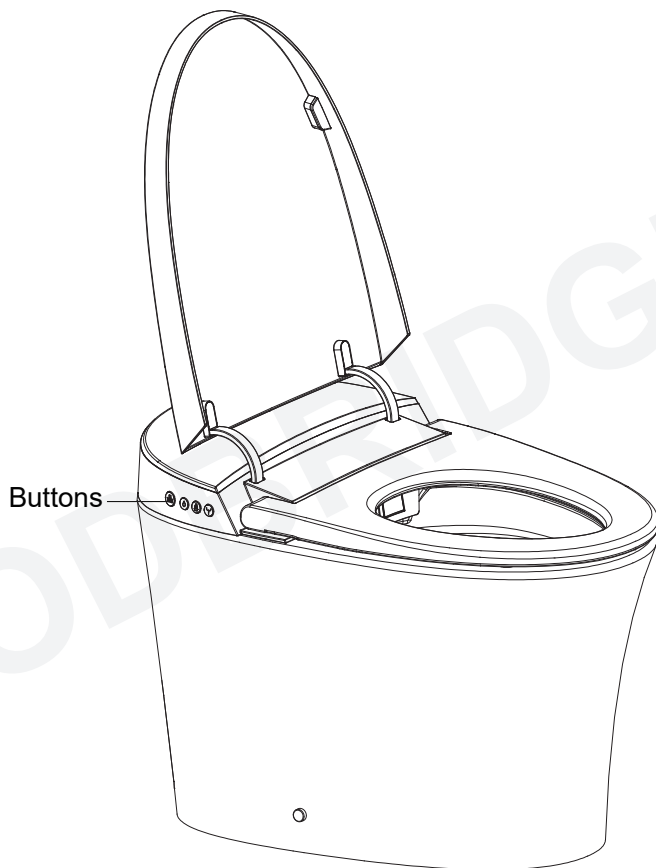
- Fill up 2 gallons of water on a bucket, pour in and flush the toilet bowl.

Note: Avoid water spilling from bowl.



Failure of remote control

- Operate through the buttons located on the side of the toilet unit.

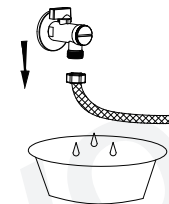


When the product is left unused for long time

- Especially in winter when no one at home for a long time, please drain out the water inside tank and pipe to prevent freezing.

To discharge water

1. Drain out the water inside tank
 - Activate flushing, and then turn off angle valve to prevent water inlet.
2. Unplug and cut off the electricity
3. Drain out the water inside pipe
 - Unscrew the hose connector off angle valve, drain the water in the pipe and reinstall.







4. Handle the remaining water in bowl

- It is suggested to put some antifreeze into water inside the bowl.



Note: Before drain out the water inside pipe, the power must be cut off!


The illustration of main unit buttons	
 <p>ECO Stop</p>	<ol style="list-style-type: none"> 1. Press and hold the “Stop” button (for about 3s) on the unit, the unit enters the shutdown mode (red light off), press the “stop” button again, the unit returns to the working mode (lights red). 【In the shutdown mode, except for the “Stop” button on the main unit, any button (including the unit and the remote control) is invalid. 2. When the user is seated, press the “Stop” button on the main unit to stop the feminine washing, rear washing or drying function. When the user is not seated, press the “Stop” button on the main unit repeatedly. The main unit switches over between working mode (red light) and power save mode (blue light).
 <p>Rear washing/ moving washing</p>	<ol style="list-style-type: none"> 1. When people is seated, press "Rear washing" button, to wash the rear portion of body; Press "Rear washing" button repeatedly, then turn on/off mobile function; Press "Stop" button to stop. When one circle cleaning is finished and the body remains seated, the dry function will be automatically turn on and will stop after one cycle. 2. When no one is seated, press "Rear washing" button, the rod will stretch out ,people can wash the nozzle and rod manually, press "Stop" button, the rod will retracts.
 <p>Front washing/ moving washing</p>	<p>When people is seated, press "Front cleaning" button, to wash the front portion of body; Press "Front cleaning" button repeatedly, then turn on/off mobile massage function; Press "stop" button to stop. When one circle cleaning is finished and the body remains seated, the dry function will be automatically turn on and will stop after one cycle.</p>
 <p>Flush</p>	<ol style="list-style-type: none"> 1. When the user is seated, long press the “Flush” button on the main unit to turn on the drying function. After drying for one cycle, it will stop automatically. During the drying process, press the “Stop” button to stop the drying function. 2. In the non-off mode, short press the “Flush” button on the main unit to turn on the flush function. [Under the rear wash or the femail wash function, the flush function is invalid; when the nozzle is manually cleaned, the flush function is activated after the nozzle is fully extended and retracted into position].

Tips:

When the main unit is initializing, the “stop” button lights up, after about 1.5s, the blue light (ECO light) will switch to red light (power light) .

Under ECO mode, the “stop” button lights up blue light (ECO light). Under working mode, the “stop” button lights up red light (power light). Under power-off mode, the “stop” button on the main unit lights off.

Right after main unit starts up, all function levels default to middle level. If the remote control is used, all function levels will switch to the levels set by the remote control.

Problem	Cause	Solution
No Water from Nozzle	Water inlet hose bent to cause blocking	Solve the problem of bending of water inlet hose
	Inlet valve is off	Turn on the inlet valve
	Water supply is cut off	Connect water supply and wait for the water
Weak water cleaning	Water inlet hose bent to cause partial blocking	Solve the problem of bending of water inlet hose
	Inlet valve is not fully turned on	Turn on the inlet valve fully
	Inlet filter blocked	Clean the filter
Low water temperature	The water temperature is setted on normal temperature level	Reset the water temperature
Low seat temperature	The seat temperature is setted on normal temperature level	Reset the seat temperature
	In standby mode	Switch to functional mode and use it after 3 minutes of use
Low wind temperature	The wind temperature is setted on normal temperature level	Reset the wind temperature
No wind out	In standby mode or power save mode	Shift to function mode to use dry function
Spray nozzle cannot retracted	Power off	Push back the rod lightly and wait for the power
	Get stuck by impurities	Clear away the impurities
Spray nozzle cannot stretch out	Power off	Push back the wand lightly and wait for the power
	Not sit in sensing area	Sit right in the sensing area
Remote control cannot display	The battery of the remote control is installed in the opposite direction	Reload the battery
Malfunction of deodorization	User doesn't reach the sensing area in seat	Adjust to reach the sensing area
	Deodorization function keeps working after user leaves	It's a normal phenomenon if deodorization function keeps working after user leaves to ensure eliminating smell entirely
 Caution	If the problems cannot be solved as per above methods, please shut-off the power, and contact service providers for maintenance.	
	If the leakage circuit breaker often trips off, it means the products has electricity leakage, so please shut-off the power, and contact service provider for maintenance.	

WOODBRIDGE® WOODBRIDGE® WOODBRIDGE® WOODBRIDGE® WOODBRIDGE®



SCAN ME

Customer Service Phone: 562-229-0088. (Monday - Friday 9 AM - 5 PM Pacific Time)
Or Email: help@woodbridgebath.com

www.woodbridgebath.com