

User Manual for Portable Outdoor Sauna Tent

WOODBIDGE®

Model: OP-10ST



READ ALL INSTRUCTIONS BEFORE UNPACKING THE PRODUCT

INSTRUCTIONS THAT, IF IGNORED COULD RESULT IN DEATH OR SERIOUS INJURY CAUSED BY INCORRECT HANDLING OR INSTALLATION OF THE PRODUCT. THESE INSTRUCTIONS MUST BE OBSERVED FOR SAFE INSTALLATION.

CAUTION!



**TWO PEOPLE
LIFT REQUIRED**

**2 PEOPLE ARE REQUIRED TO LIFT AND DURING
ENTIRE INSTALLATION OF THIS PRODUCT**

We are not responsible for local code compliance for this product. Building and plumbing codes may vary from state-to-state in accordance to your location. We are not responsible for providing any compliance certifications.

Under no circumstances we are liable for any and all incidental damages sustained in connection with this product. Neither manufacturer, distributor or retailer is responsible for water damage or flood caused by the usage of this product.

Under no circumstances we are liable for any and all fees, cost of installation/reinstallation/removal, subsequent damages or transportation in case of the product defect.

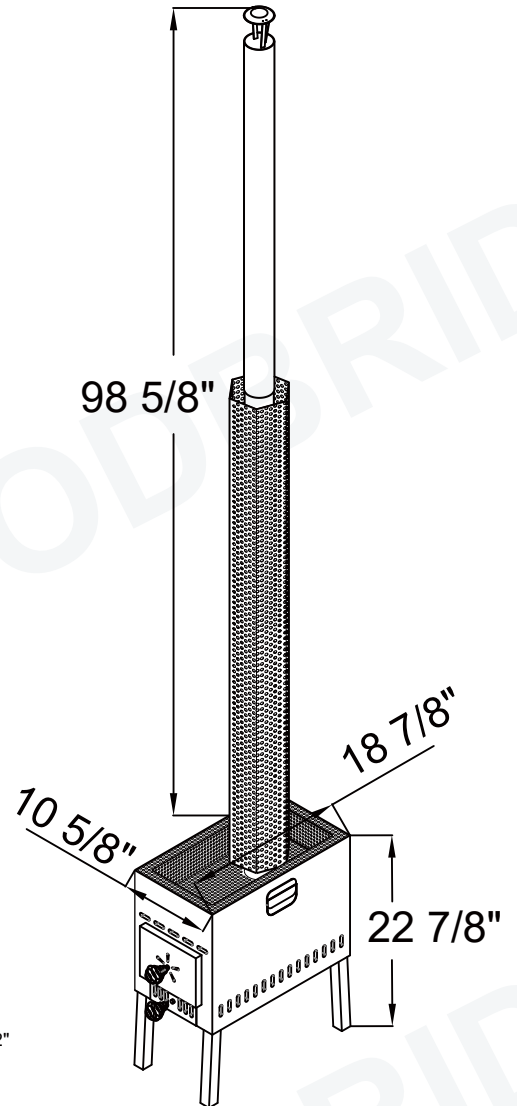
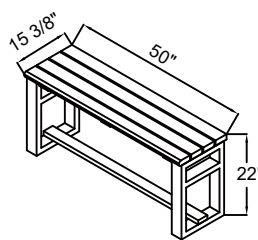
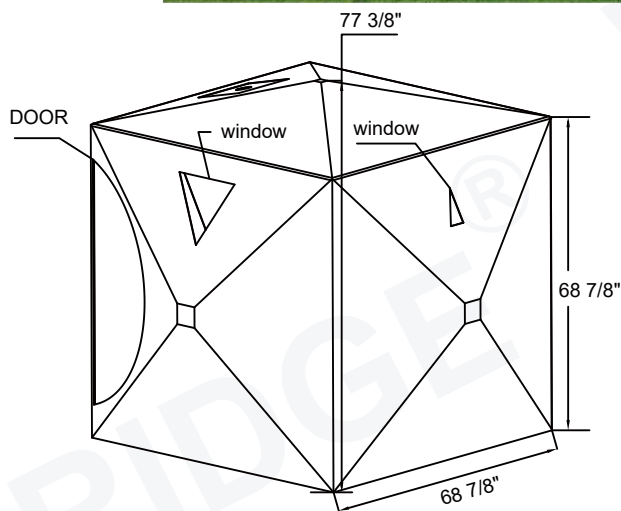
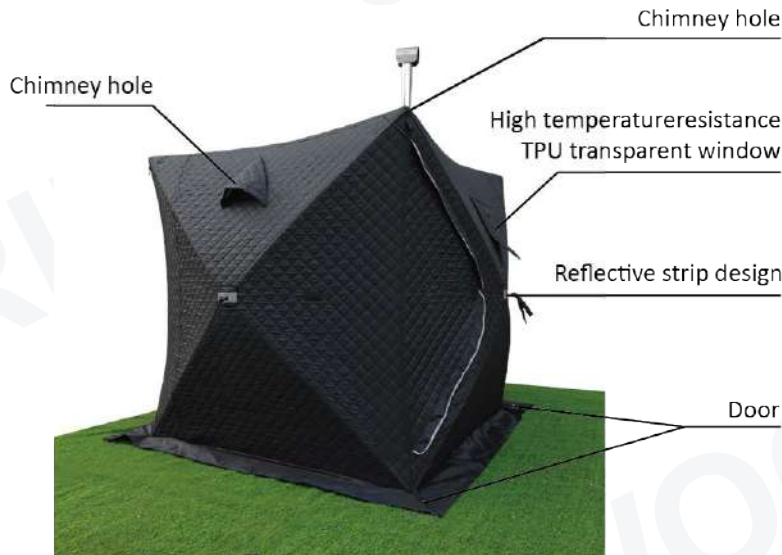
1. Sauna Tent Introduction:

Size: 68 7/8" x 68 7/8" x 77 3/8"

Max Capacity: 4 Persons

Material:

1. 210D Oxford cloth, the outside is ordinary tent cloth, and the inside is 210 anti-flame-retardant fabric.
2. 78 3/4" coating waterproof pressure
3. 150g three-layer thickened thermal insulation cotton
4. Large triangular window
5. Bracket fiberglass rod



Accessories Includes:



- Heavy Duty Carry Bag*1
- Sauna Rocks *1 Bag (20 LBS)
- Wooden Bench *1
- Wood Stove *1

2. Safety Regulations

"Seasoning" your stove is a crucial step that should not be overlooked. It's imperative not to skip this process. Since your stove is newly manufactured, running it outside the tent before the initial use is essential. This "seasoning" step serves two important purposes: a) it eliminates any cleaning chemicals residue from the manufacturing process, and b) it allows the metal to settle into its final form by preventing warping. This precautionary measure ensures the safety and optimal performance of your stove with in the tent.



How to do ! Important!!

1. Remove all components from the stove, including the chimney pieces.
2. Extend the stove's legs and position it in a well-ventilated outdoor space on surfaces like concrete, tile, dirt, grass, turf, ice, or unvarnished wood.
3. Assemble the stove chimney by interlocking the pieces and securely fitting them together.
4. Attach the chimney to the stove once fully assembled. Press down firmly to ensure a snug fit.
5. Open the control vent to allow maximum airflow. Ignite a fire in the stove using 3 fire starter pellets and 2-3 logs of wood. As the fire progresses, you'll hear pops and crackles, and the stove's color will change. This is normal and part of the process. Allow the fire to burn completely before using the stove in your tent.
6. Wait for the stove to cool down before relocating it.



3. Installation and Storage

Instruction

A-Tent Installation



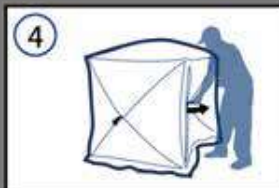
1 Take it out to open it on ground --find the top side of tent.



2 Pull strap on button for top -side.

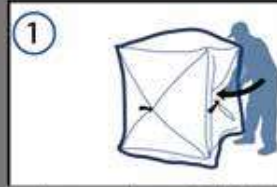


3 Continue to pull strap on button for left and right sides.



4 Continue to pull strap on button for rest sides.

B-Tent Storage



1 Push strap on button inside for one side only firstly.



2 Continue to push strap on button inside for other rest sides.



3 Push strap on button for topside .



4 Fold it --put into carrying bag.

(1) Tent Assembly.

1. Choose a suitable, well-ventilated area measuring 8ft x 8ft outside on surfaces like concrete, tile, dirt, grass, turf, ice, or unvarnished wood.
2. Initiate the tent setup by pulling on one of the four endpoints of the tent wall.
3. Apply a forceful pull until the tent wall pops into place.
4. Repeat this process for the remaining three tent walls.
5. Push up on the tent roof endpoint from inside the tent to secure the roof into place.
6. Safely store the fabric window coverings after their removal.
7. Ensure the tent is positioned at least 2 feet away from any major structure or debris on all sides.

(2) Make sure your tent is securely anchored to the ground.

1. Secure the tent by placing weights (such as rocks, bricks, cinder blocks, wood, etc.) on the exterior tent skirt. Utilize the provided stakes and ropes to firmly anchor the tent to the ground.
2. Replace the fabric chimney hole covering with the piece of fabric featuring the metal circular ring. Ensure the fabric with the metal circular ring is firmly secured to the top of the tent by pressing it down, and ensuring the Velcro is tightly fastened.



(3) Install the stove in your tent.

1. Ensure that your stove has been properly "seasoned" and has completely cooled down (refer to step #2) before attempting to install it in your tent.
2. Disconnect the chimney from the stove and use the attached carrying handles to bring the stove into the tent.
3. Place the stove directly below the hole opening in the tent ceiling and ensure that the stove door is facing the tent door.
4. Position the stove directly below the opening in the tent ceiling, making sure that the stove door faces the tent door.
5. Reconnect the chimney to the stove and guide the pipe through the roof holes.
6. Place the sauna rocks holder and sauna rocks on top of the stove.



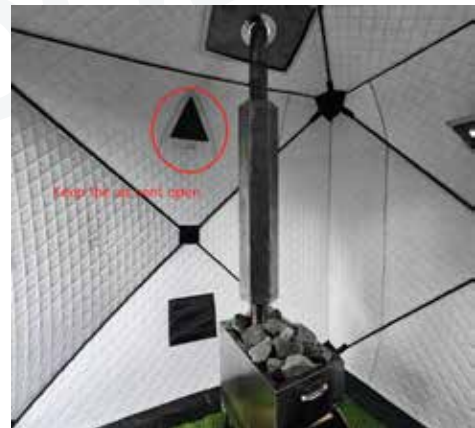
(4) Bring a bench into the sauna tent.

Bring the wooden bench into the tent and place it along the tent wall furthest from the stove.

Warning: If you choose to use your seating, opt for wood benches or chairs. Avoid using seating that contains metal components.

(5) Fire up the stove.

- Use fire matches or a candle lighter to light the fire.
1. Open the triangle fresh air intake vent located at the top of your tent. Keep this air intake vent always open.
 2. After igniting the stove, slide the control vent to the right to the fully open position to allow the maximum amount of air to flow in, facilitating optimal combustion.
 3. Finally, ignite a fire in the stove by using 2-4 fire starter squares and incorporating 2-3 logs of dry hardwood firewood.



IMPORTANT!! Keep the air intake vent always open when using the sauna tent.

You can adjust the temperature inside the tent by:

- a. Increasing heat by adding more wood logs to the stove.
- b. Controlling airflow with stove vents and ashtray adjustment.
more airflow = hotter = burning fire
- c. Temperature control through opening and closing tent doors, and stove vents.



Warning tips:

1. Keep the Triangel air intake vent at the top of your tent open to allow a continuous flow of fresh air into the front of your stove. Additionally, ensure the air control vent on the ashtray is fully open to optimize airflow.
2. It is normal for the metal stove and chimney pipe to become red hot during use. Do not worry, as your stove is designed to handle this. If the red glow causes concern, simply regulate airflow to the stove to slow down the burn rate of your firewood.
3. Our stove is crafted from high-quality #304 stainless steel, ensuring it remains unaffected by high temperatures. You can trust the durability of the material to withstand the heat generated during use.
4. Extreme Weather Endurance:
Ignite the stove by employing a fire starter along with small dry hardwood fragments. Securely close and latch the stove door. Allow the fire to establish itself, burning for approximately 15 minutes, then open the stove door to introduce an additional 1-2 pieces of hardwood firewood. Once added, promptly close and latch the stove door, waiting another 15 minutes for optimal results.
5. Our sauna tent is designed for use in extreme weather conditions, with a frost resistance ranging from -20°C to 120°C. This ensures its functionality and comfort even in harsh cold or hot climates.
6. Windproof: The sauna tent features a built-in skirt along both the interior and exterior of the base, enhancing its windproof capabilities. To further secure it in windy conditions, we recommend weighing down the skirt with substantial items like cinder blocks, bricks, or sandbags. The tent also includes ground stakes and ropes for additional anchoring.
7. Waterproof Construction: Enjoy your sauna experience even on rainy days as our sauna room is waterproof. The design ensures that you can use it without any concerns during wet weather, providing a comfortable and dry environment inside.



Woodbridge warrants its products as listed in below to be free of material and workmanship defect, subjected to the limitations set forth in this limited warranty.

- Bathtub, Whirlpool/Air Bubble Massage Tub, Wooden Cold Plunge, Sauna Tent : 1 Year limited to be free of defects in material and workmanship.
- Toilet and Bidet: 1 Year limited to be free of defects in material and workmanship.
- Faucet: 1 Year limited to be free of defects in material and workmanship.
- Vanity: 1 Year limited to be free of defects in material and workmanship.
- Granite, Marble, Engineered Quartz Vanity Top: 1 Year limited to be free of defects in material and workmanship.
- Medicine Cabinet, LED Mirror: 1 Year limited to be free of defects in material and workmanship.
- Stainless Steel Sink: 1 Year limited to be free of defects in material and workmanship.
- Solid Surface Shower Wall Panel, Shower Base and Vanity Top: 10 Years limited warranty to be free from material defects.
- Shower Door: Lifetime warranty on glass components and 1 Year limited on other hardware.

This limited warranty is non-transferable and only applies to products purchased and installed in the United States and Canada.

This limited warranty excludes all industrial, commercial and business usage. Proof of purchase (original sales receipt) from the original purchaser, Description and pictures of defect, model number or model description must be provided to Woodbridge Bath for all warranty claims and Woodbridge Bath IS NOT responsible for labor cost, removal or installation costs.

This limited warranty shall not apply to goods which have been subject to accident, negligence, improper installation, product abuse, product misuse, or use of cleaners containing abrasives, alcohol or other organic solvents, whether performed by a contractor, service company, or yourself, are excluded from this warranty.

This warranty does not cover surface damaged caused by use of chemicals that break through or dissolve the surface finish or damage caused by the accidental dropping of sharp or heavy objects. Improper care and use of abrasive cleaners and will void the warranty.

During this limited warranty period if a malfunction occurs and after inspection it is determined that a defect developed during normal use, Woodbridge will as at its election proceed with any of the following options:

- (1) repair or replace the defective part(s) or product(s) at cost**
- (2) issue a refund of the original purchase price of the product(s) (Valid within 30 days from the date of purchase)**
- (3) issue a credit to be applied toward the purchase of a new product. Shipping/delivery charges may apply and are in sole discretion.**

Caution:

NEVER use cleaners containing abrasive cleaners, ammonia, bleach, acids, waxes, alcohol, solvents or other products that are not recommended for Chrome finish will void the warranty.

Woodbridge products should be installed by a fully insured and licensed contractor only. Installation by anyone other than fully insured and licensed contractor will void this limited warranty.

RESPONSIBILITIES OF OTHERS

Inspecting the unit prior to installation is the responsibility of the installer or building contractor who acts on behalf of the user. They are responsible for ensuring the unit is free of defect or damage. Notices are placed on the unit and on the shipping carton advising the installer of this responsibility. In the event of a problem, the unit must not be installed. Woodbridge is not responsible for failures or damage that could have been discovered, repaired, or avoided by proper inspection and testing prior to installation.

Damage occurring in transit is the responsibility of the carrier. The user or installer MUST open the crate and inspect the unit for damage when it is delivered. If damage is discovered, it must be reported immediately to the seller and the carrier in writing, and an inspection requested. Failure of the carrier to respond should be reported to the seller and the carrier. Your freight claims should be filed promptly thereafter.

This limited warranty does not cover any liability for consequential or incidental damages, all of which are hereby expressly disclaimed, or the extension beyond the duration of this limited warranty of any implied limited warranties, including those of merchant ability or fitness for an intended purpose.

DISCLAIMER

Except as expressly provided, there shall be no warranty or obligation, express or implied, oral or statutory. No dealer or other person has the authority to make any warranties or representations concerning or its products. In no event shall be held responsible for any such warranties or representations.

Some states/provinces do not allow limitations on how long an implied warranty lasts, or the exclusion on limitation of special, incidental or consequential damages, so these limitations and exclusions may not apply to you. This warranty gives you specific legal rights, you may also have other rights which vary from state/province to state/province.

To obtain warranty and replacement parts, please send e-mail to help@woodbridgebath.com with the original receipt information, Woodbridge will determine whether to repair or replace your product, issue a refund or issue a credit.

IMPORTANT!

DO NOT USE: Abrasive cleaners such as: acid, ammonia, bleach, and similar solutions. Use of such solutions may cause corrosion, finish peeling, and/or dull the surface.

DO NOT USE: Abrasive sponges or cloth. Never use steel, wool, or wired brushes that will permanently scratch the surface.

Retain these installation instructions for future reference!

Thank you for using WOODBRIDGE products!

WOODBRIDGE[®]

California (Norwalk) Distribution Center
15600 Blackburn Ave, Norwalk, CA 90650

New Jersey (Somerset) Distribution Center
635 Pierce St, Somerset, NJ 08873

Florida (Orlando) Distribution Center
13645 S Orange Ave, Orlando, FL 32824

Canada (Ontario) Distribution Center
615 Orwell Street, Unit B, Mississauga, ON L5A2W4, Canada



Please don't hesitate to contact us if you have any questions or concerns.

Customer Service Phone: 562-229-0088. (Monday - Friday 9 AM - 5 PM Pacific Time)

Or Email: help@woodbridgebath.com