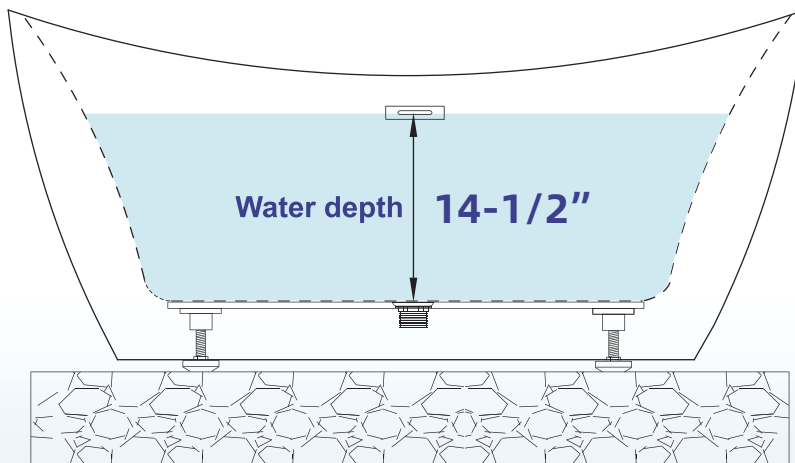
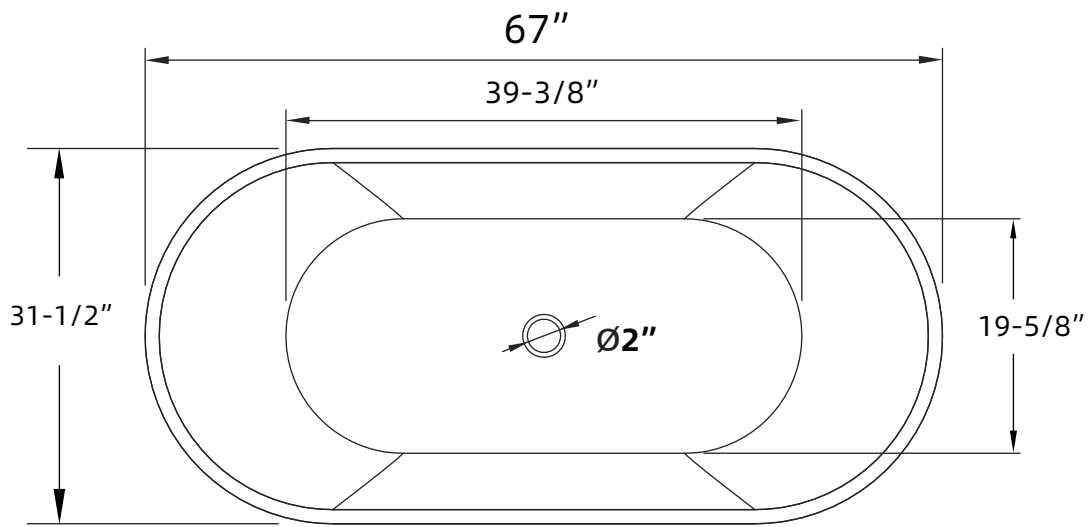
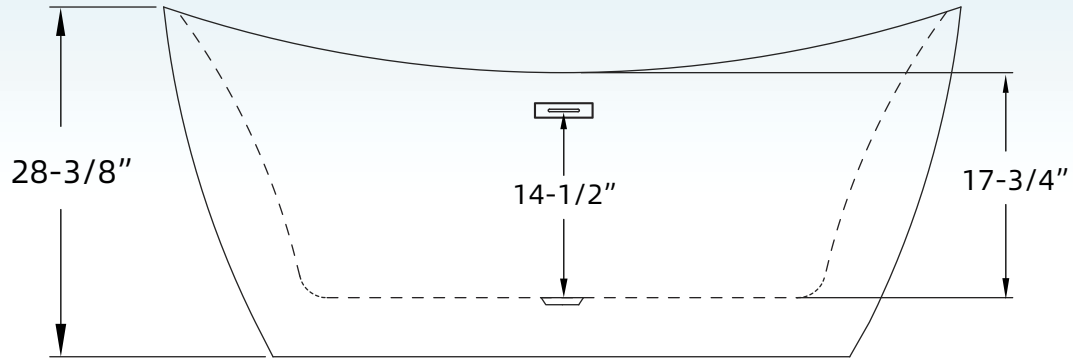


WOODBIDGE®



IMPORTANT INFORMATION

- Measurements are $\pm 1/2$ " and subject to change without notice
- Specifications & Configurations are subject to change without notice
- Please measure tub on-site before installation
- Please note that installer(s) must be certified or warranty will be voided
- Measurements herein supersede all others published prior to publication date shown below
- Before ordering or installing, please consider future access to equipment