

Installation Instructions

Vanity With Top

WOODBIDGE®

Model:

NJ24-HW-WH
NJ30-HW-WH
NJ36-HW-WH
NJ48-HW-WH
NJ60-HW-WH

NJ24-NO-WH
NJ30-NO-WH
NJ36-NO-WH
NJ48-NO-WH
NJ60-NO-WH

CA24-CG-MB
CA30-CG-MB
CA36-CG-MB
CA48-CG-MB
CA60-CG-MB

NJ30-GO-WH
NJ60-GO-WH

NJ36-HW-WH-LED
NJ48-HW-WH-LED



READ ALL INSTRUCTIONS BEFORE UNPACKING THE PRODUCT

INSTRUCTIONS THAT, IF IGNORED, COULD RESULT IN DEATH OR SERIOUS INJURY CAUSED BY INCORRECT HANDLING OR INSTALLATION OF THE PRODUCT. THESE INSTRUCTIONS MUST BE OBSERVED FOR SAFE INSTALLATION.

CAUTION!



**TWO PEOPLE
LIFT REQUIRED**

**2 PEOPLE ARE REQUIRED TO LIFT AND DURING
ENTIRE INSTALLATION OF THIS PRODUCT**

This product must be installed by a fully insured and licensed installer.

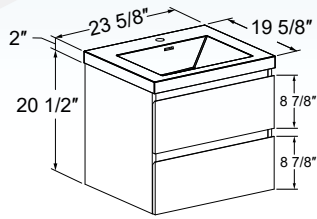
We are not responsible for local code compliance for this product. Building and plumbing codes may vary from state-to-state in accordance to your location. We are not responsible for providing any compliance certifications.

Under no circumstances we are liable for any and all incidental damages sustained in connection with this product. Neither manufacturer, distributor or retailer is responsible for water damage or flood caused by the usage of this product.

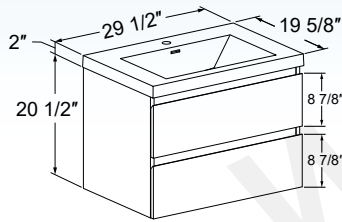
Under no circumstances we are liable for any and all fees, cost of installation/reinstallation/removal, subsequent damages or transportation in case of the product defect.

Customer Service Phone: 562-229-0088. (Monday - Friday 9 AM - 5 PM Pacific Standard Time)

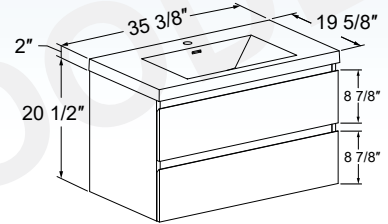
Or Email: help@woodbridgebath.com



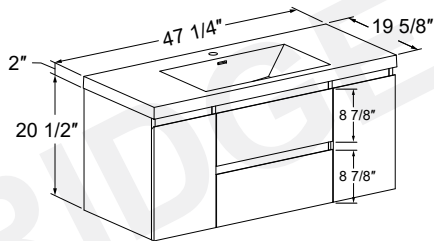
NJ24-HW-WH
NJ24-NO-WH



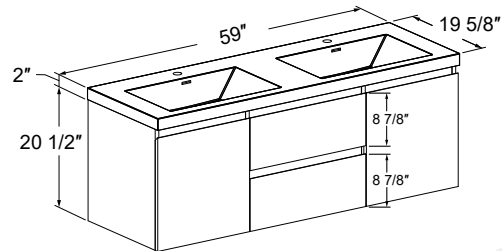
NJ30-HW-WH
NJ30-NO-WH
NJ30-GO-WH



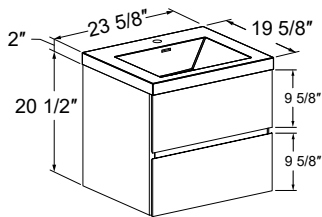
NJ36-HW-WH
NJ36-NO-WH
NJ36-HW-WH-LED



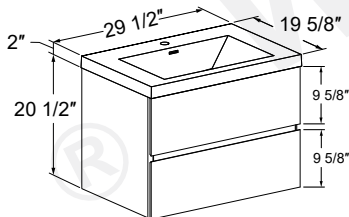
NJ48-HW-WH
NJ48-NO-WH
NJ48-HW-WH-LED



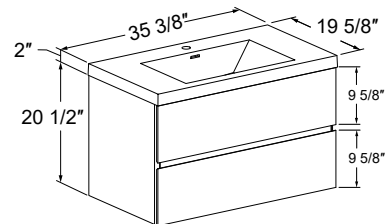
NJ60-HW-WH
NJ60-NO-WH



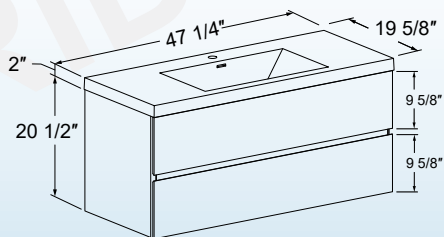
CA24-CG-MB



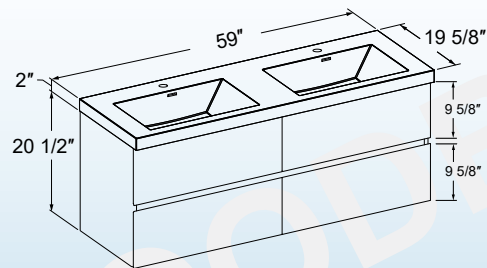
CA30-CG-MB



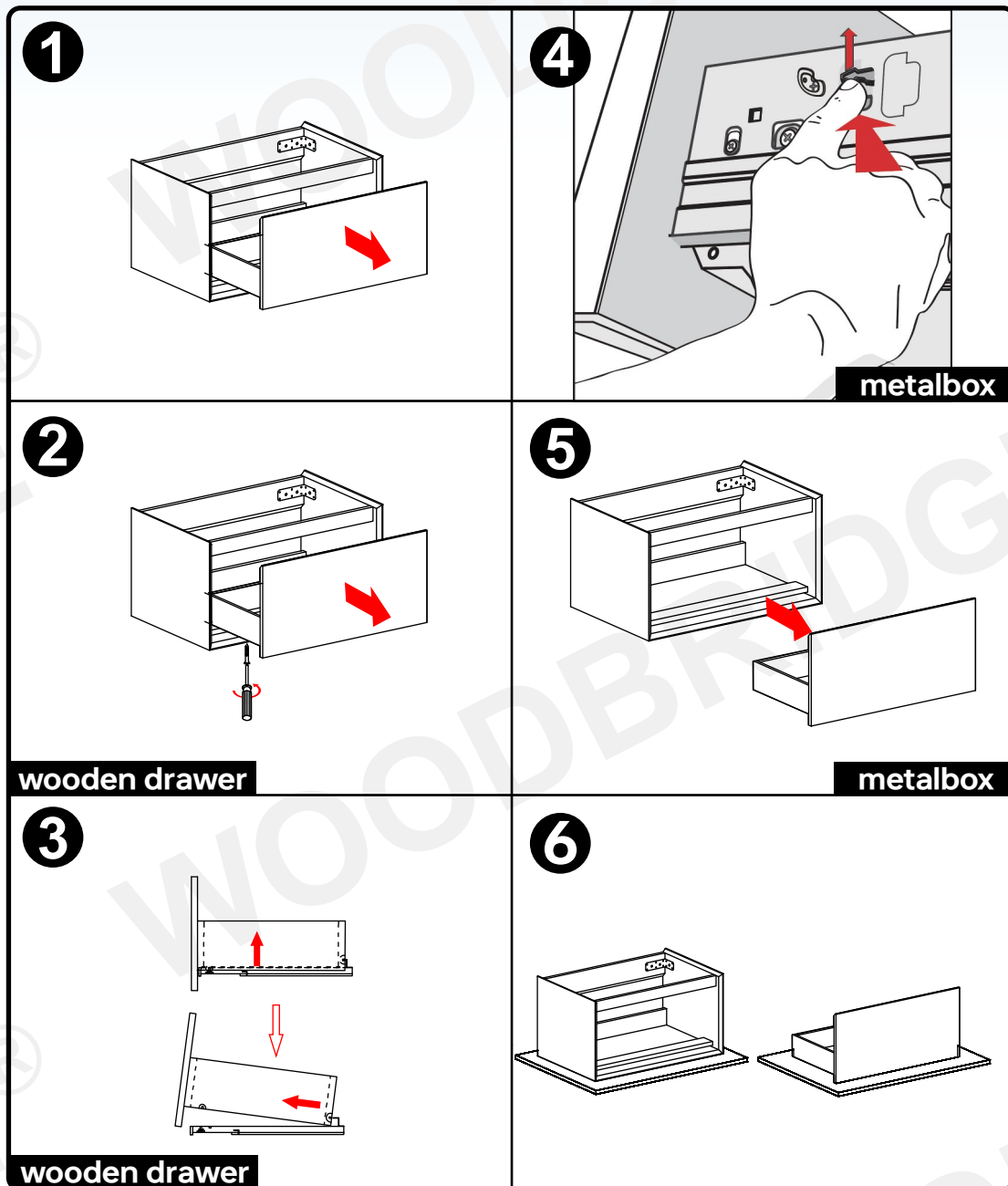
CA36-CG-MB



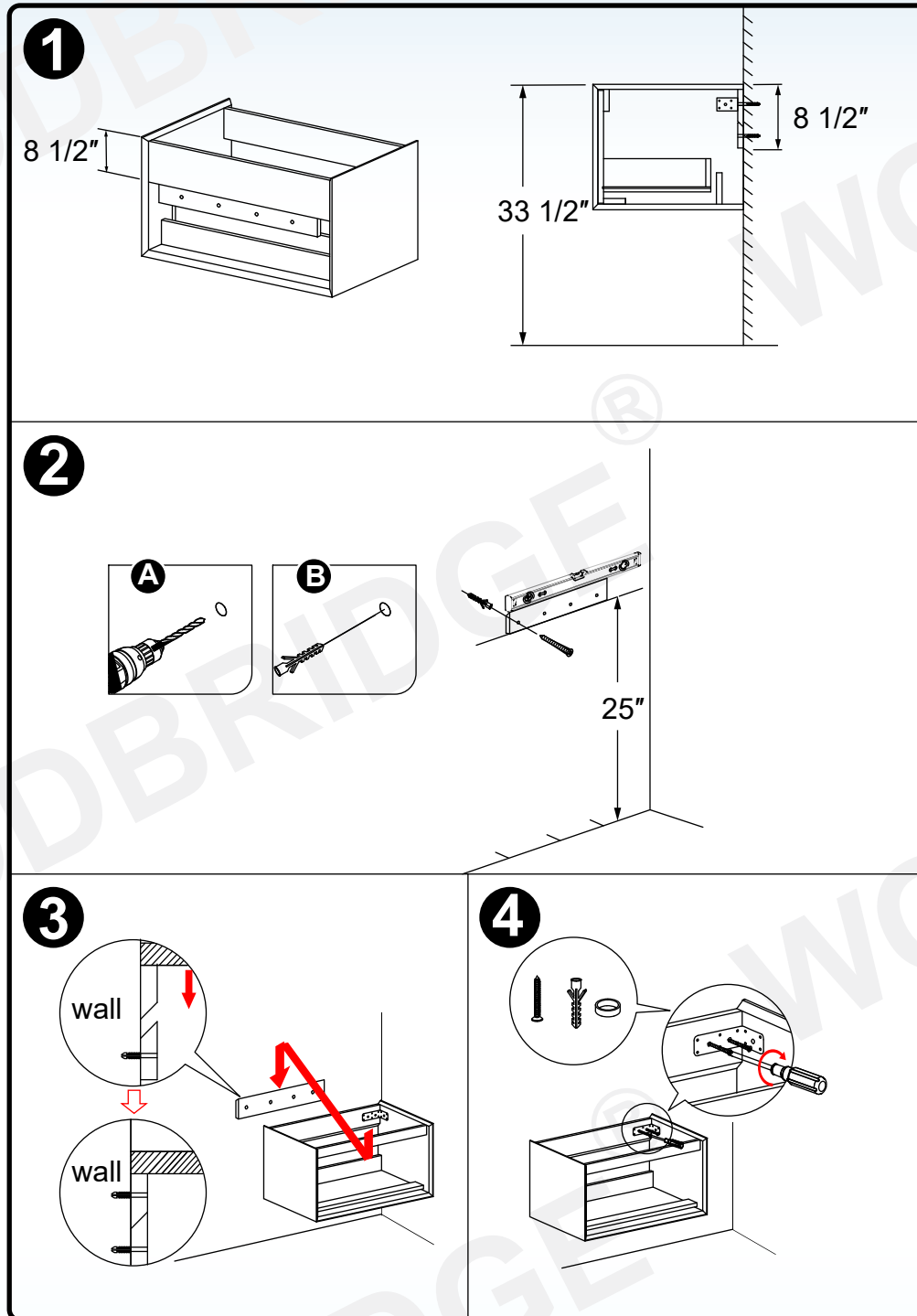
CA48-CG-MB



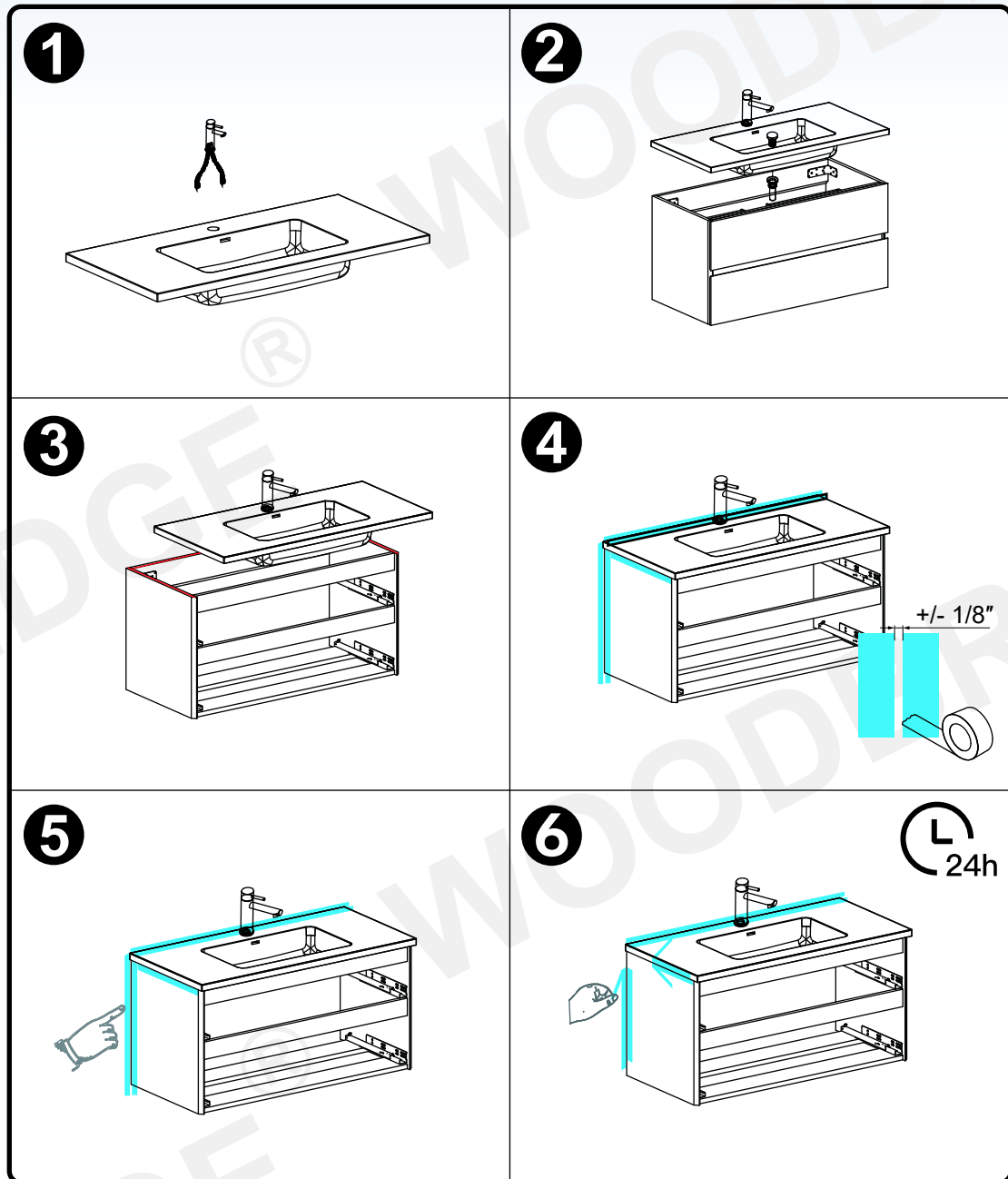
CA60-CG-MB



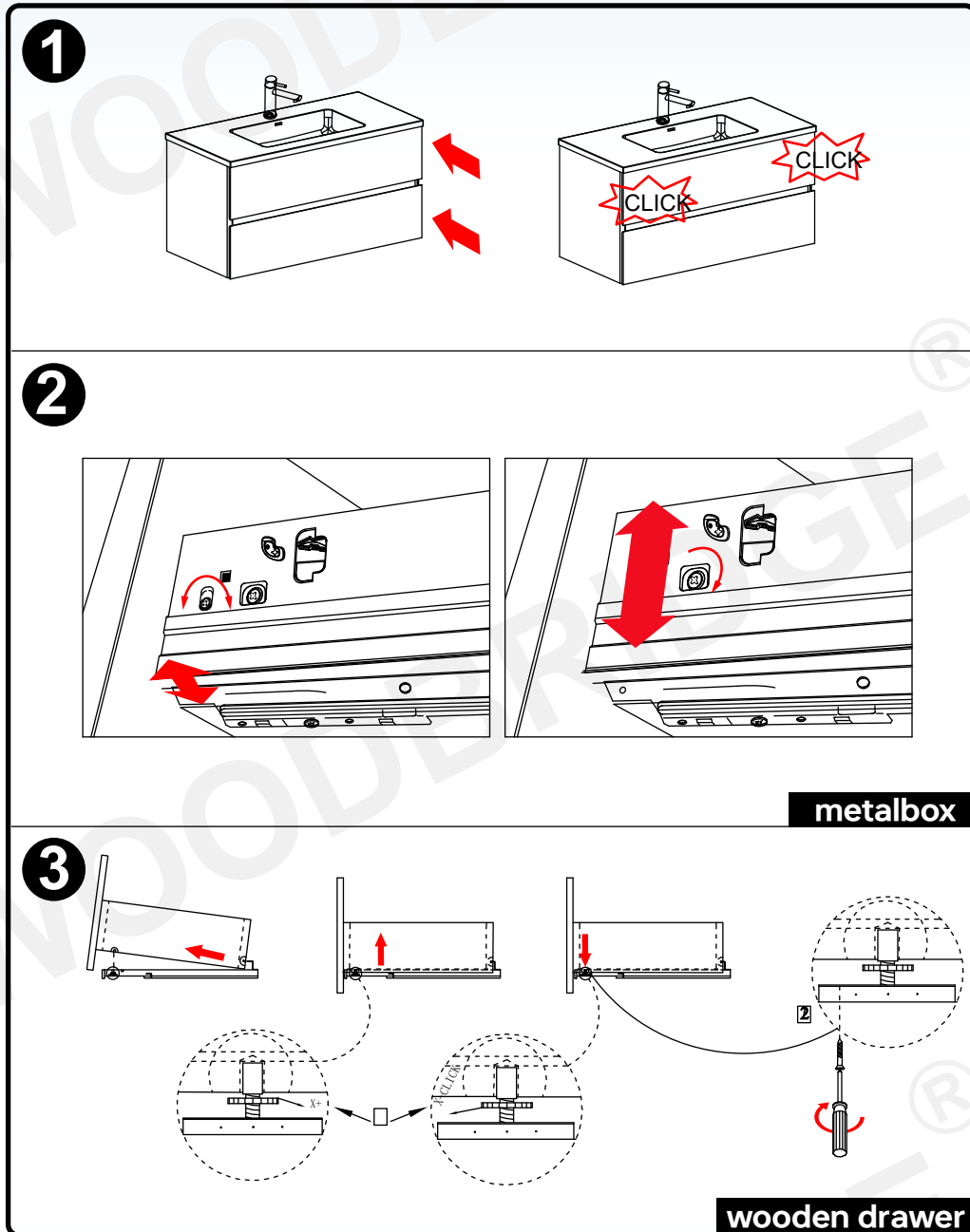
1. Position the cabinet securely on the stable platform and then pull out the drawer.
2. Use a cross screwdriver to loosen the reinforcement screw located at the bottom.
3. Loosen the screw and lift the drawer to get the drawer off the guide track.
4. Press and lift the bottom on both the left and right sides of the drawer, and the drawer will come off from the track.
5. Once the track is separated, then it is safe to pull the drawer out.
6. Position the cabinet and drawer on their respective protective foam pads and be careful not to get it damaged.



1. It is recommended to position the cabinet at a counter height of 850mm above the ground. Position the hanging board at 45 degrees angle to the rear plate, then measure distance from the top end of the cabinet to the bottom of the hanging plate. Typically, this measurement is 215mm based on standard specifications.
2. First, draw the line on the wall at the mounting height, aligning it with the auxiliary line at the bottom, observe the level with a horizontal ruler. Then target the mounting hole of the plate and drill using an impact drill and put the expansion pipe into the drilled hole. Secure the hanging panel to the wall with screws.
3. Place the cabinet onto the 45-degree hanging board.
4. Use an impact drill to align the punch holes on both sides of the back plate, insert plastic expansion fittings into the holes, then secure it in place.



1. Install the faucet on the basin.
2. Attach the drainpipe to the basin.
3. Apply silicone caulking to the top of the cabinet.
4. Use textured paper to fill the 3mm gap between the cabinet and the wall.
5. Apply silicone caulking to the gap.
6. Allow 24 hours for the silicone caulking to cure before removing the textured paper.



1. Place the drawer onto the track, push it inside until hearing the "click" sound, indicating it is properly installed.
2. To adjust the drawer, twist the edge of this screw, Turn it counterclockwise to the left or adjustable and clockwise to the right.
To adjust the drawer up or down, Pull the edge to this screw, rotate counterclockwise down to move the drawer down, and clockwise to move it up.
3. Cabinet of the bottom rail: Insert the back hole of the drawer into the rail hook, and then fasten it to the reinforcement screw.
To adjust the height of the drawer's orbit, use the bottom rotary disk mechanism located on the base rail.

Woodbridge warrants its products as listed in below to be free of material and workmanship defect, subjected to the limitations set forth in this limited warranty.

- **Bathtub, Whirlpool/Air Bubble Massage Tub, Wooden Cold Plunge: 1 Year limited to be free of defects in material and workmanship.**
- **Toilet and Bidet: 1 Year limited to be free of defects in material and workmanship.**
- **Faucet: 1 Year limited to be free of defects in material and workmanship.**
- **Vanity: 1 Year limited to be free of defects in material and workmanship.**
- **Granite, Marble, Engineered Quartz Vanity Top: 1 Year limited to be free of defects in material and workmanship.**
- **Medicine Cabinet, LED Mirror: 1 Year limited to be free of defects in material and workmanship.**
- **Stainless Steel Sink: 1 Year limited to be free of defects in material and workmanship.**
- **Solid Surface Shower Wall Panel, Shower Base and Vanity Top: 10 Years limited warranty to be free from material defects.**
- **Shower Door: Lifetime warranty on glass components and 1Year limited on other hardware.**

This limited warranty is non-transferable and only applies to products purchased and installed in the United States and Canada.

This limited warranty excludes all industrial, commercial and business usage. Proof of purchase (original sales receipt) from the original purchaser, Description and pictures of defect, model number or model description must be provided to Woodbridge Bath for all warranty claims and Woodbridge Bath IS NOT responsible for labor cost, removal or installation costs.

This limited warranty shall not apply to goods which have been subject to accident, negligence, improper installation, product abuse, product misuse, or use of cleaners containing abrasives, alcohol or other organic solvents, whether performed by a contractor, service company, or yourself, are excluded from this warranty.

This warranty does not cover surface damaged caused by use of chemicals that break through or dissolve the surface finish or damage caused by the accidental dropping of sharp or heavy objects. Improper care and use of abrasive cleaners and will void the warranty.

During this limited warranty period if a malfunction occurs and after inspection it is determined that a defect developed during normal use, Woodbridge will as at its election proceed with any of the following options:

- (1) repair or replace the defective part(s) or product(s) at cost
- (2) issue a refund of the original purchase price of the product(s) (Valid within 30 days from the date of purchase)
- (3) issue a credit to be applied toward the purchase of a new product. Shipping/delivery charges may apply and are in sole discretion.

Caution:

NEVER use cleaners containing abrasive cleaners, ammonia, bleach, acids, waxes, alcohol, solvents or other products that are not recommended for Chrome finish will void the warranty.

Woodbridge products should be installed by a fully insured and licensed contractor only. Installation by anyone other than fully insured and licensed contractor will void this limited warranty.

RESPONSIBILITIES OF OTHERS

Inspecting the unit prior to installation is the responsibility of the installer or building contractor who acts on behalf of the user. They are responsible for ensuring the unit is free of defect or damage. Notices are placed on the unit and on the shipping carton advising the installer of this responsibility. In the event of a problem, the unit must not be installed. Woodbridge is not responsible for failures or damage that could have been discovered, repaired, or avoided by proper inspection and testing prior to installation.

Damage occurring in transit is the responsibility of the carrier. The user or installer MUST open the crate and inspect the unit for damage when it is delivered. If damage is discovered, it must be reported immediately to the seller and the carrier in writing, and an inspection requested. Failure of the carrier to respond should be reported to the seller and the carrier. Your freight claims should be filed promptly thereafter.

This limited warranty does not cover any liability for consequential or incidental damages, all of which are hereby expressly disclaimed, or the extension beyond the duration of this limited warranty of any implied limited warranties, including those of merchant ability or fitness for an intended purpose.

DISCLAIMER

Except as expressly provided, there shall be no warranty or obligation, express or implied, oral or statutory. No dealer or other person has the authority to make any warranties or representations concerning or its products. In no event shall be held responsible for any such warranties or representations.

Some states/provinces do not allow limitations on how long an implied warranty lasts, or the exclusion on limitation of special, incidental or consequential damages, so these limitations and exclusions may not apply to you. This warranty gives you specific legal rights, you may also have other rights which vary from state/province to state/province.

To obtain warranty and replacement parts, please send e-mail to help@woodbridgebath.com with the original receipt information, Woodbridge will determine whether to repair or replace your product, issue a refund or issue a credit.

IMPORTANT!

DO NOT USE: Abrasive cleaners such as: acid, ammonia, bleach, and similar solutions. Use of such solutions may cause corrosion, finish peeling, and/or dull the surface.

DO NOT USE: Abrasive sponges or cloth. Never use steel, wool, or wired brushes that will permanently scratch the

Retain these installation instructions for future reference!

Thank you for using WOODBRIDGE products!

WOODBRIDGE[®]

California (Norwalk) Distribution Center
15600 Blackburn Ave, Norwalk, CA 90650

New Jersey (Somerset) Distribution Center
635 Pierce St, Somerset, NJ 08873

Florida (Orlando) Distribution Center
13645 S Orange Ave, Orlando, FL 32824

Canada (Ontario) Distribution Center
615 Orwell Street, Unit B, Mississauga, ON L5A2W4, Canada



Please don't hesitate to contact us if you have any questions or concerns.

Customer Service Phone: 562-229-0088. (Monday - Friday 9 AM - 5 PM Pacific Standard Time)

Or Email: help@woodbridgebath.com