

Installation Instructions

Solid Surface Wall Panel

WOODBRI[®]

Model:

W6030-AF78-01-WH

W6032-AF78-01-WH

W6034-AF78-01-WH

W6036-AF78-01-WH

W6030-AN78-02-WH

W6032-AN78-02-WH

W6034-AN78-02-WH

W6036-AN78-02-WH



READ ALL INSTRUCTIONS BEFORE UNPACKING THE

INSTRUCTIONS THAT, IF IGNORED, COULD RESULT IN DEATH OR SERIOUS INJURY CAUSED BY INCORRECT HANDLING OR INSTALLATION OF THE PRODUCT. THESE INSTRUCTIONS MUST BE OBSERVED FOR SAFE INSTALLATION.

CAUTION!



**TEAM LIFTING
REQUIRED**

**TEAM LIFTING REQUIRED TO LIFT AND DURING
ENTIRE INSTALLATION OF THIS PRODUCT**

This products must be installed by a fully insured and licensed plumber only.

We are not responsible for local code compliance for this product. Building and plumbing codes may vary from state-to-state in accordance to your location. We are not responsible for providing any compliance certifications.

Under no circumstances we are not liable for any and all incidental damages sustained in connection with this product.

Neither manufacture, distributor or retailer is responsible for water damage or flood caused to use of this product.

Under no circumstances We shall not be liable for any and all fees, cost of installation/reinstallation/removal, subsequent damage or transportation in case of the product defect.

Customer Service Phone: 562-229-0088. (Monday - Friday 9 AM - 5 PM Pacific Time)

Or Email: help@woodbridgebath.com

Before initiating the installation process, it is imperative to thoroughly read and comprehend this manual.

CAUTION

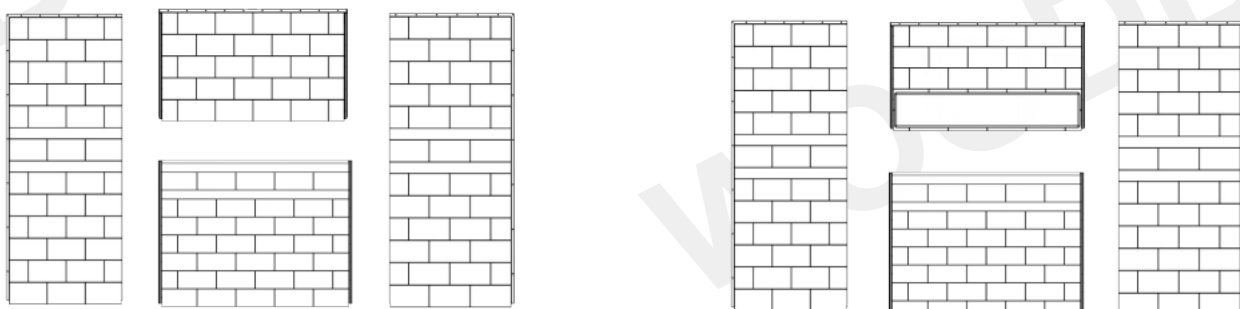
Carefully open the box to prevent any potential damage to the underlying base surface.

CARE AND MAINTENANCE

Simply wipe the surface with a damp towel to eliminate watermarks and stains. For routine stains, clean with a mild detergent or general-purpose cleaner. For cleaning corners and seams, consider using a mildew cleaner.

PREPARATION

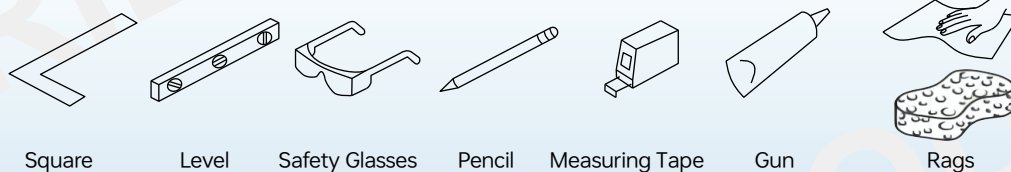
Shower Wall



AF78-01

AN78-02

Tools and Materials



Square

Level

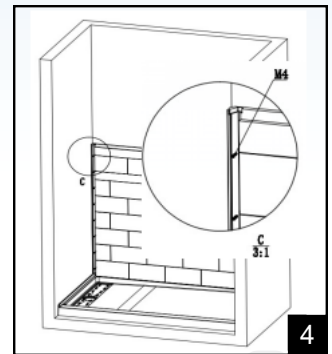
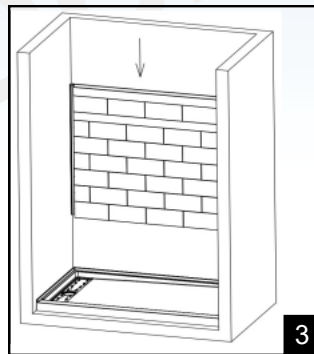
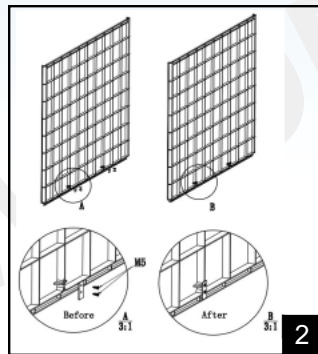
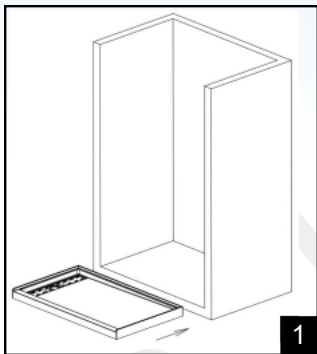
Safety Glasses

Pencil

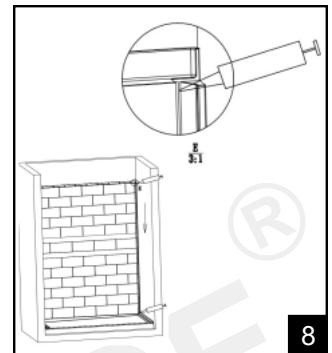
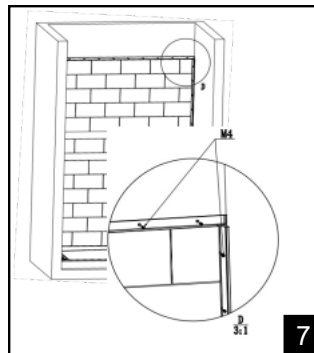
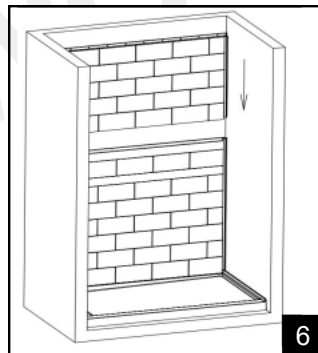
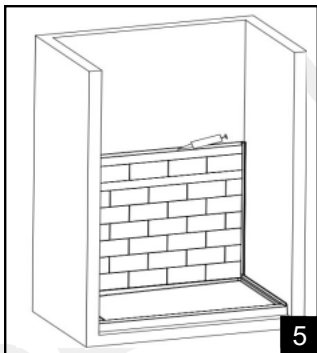
Measuring Tape

Gun

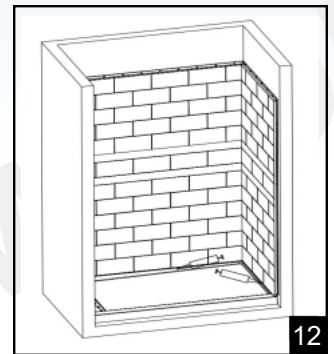
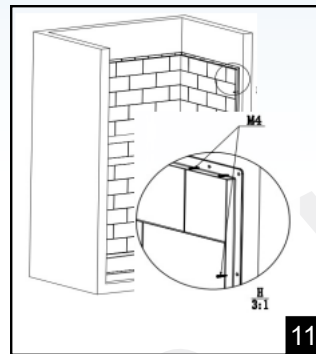
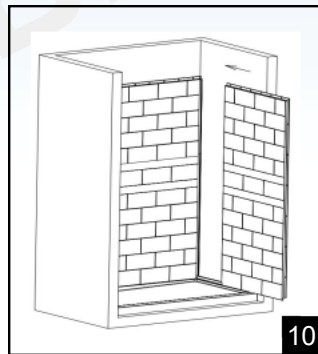
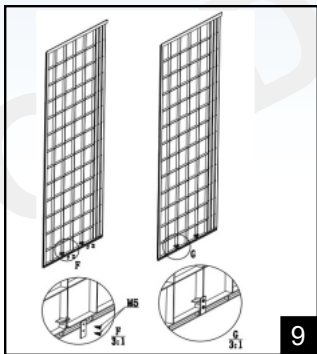
Rags



1. Position the shower base or bathtub for installation and securely fasten it in place.
2. Attach the fastener to backplane 1 and tighten the screws securely.
3. Insert backplane 1 in the direction indicated by the arrow, allowing for adjustment by tilting it to a suitable angle for installation. Ensure a snug fit between the bottom of the wall panel and the shower base upon completion, minimizing any significant gaps.
4. After installing the backplane 1, secure it with screws as shown in the figure. Also, determine the number of screws to be used according to the site construction conditions.



5. Before installing backplane 2, evenly apply sealant along the contact surface of backplane 1 as illustrated.
6. Install the backplane 2. Follow the directional arrow and adjust its angle for ease of installation. After installation, confirm the absence of significant gaps between backplane 1 and backplane 2. Use a clean cloth to remove excess sealant.
7. As shown in the figure, use screws to secure backplane 2 in place, ensuring a tight fit.
8. Before installing the right panel, evenly apply sealant into the backplane groove as depicted. Repeat the same installation process for the left panel.



9. Install the fastener on the right panel and tighten the screws. Follow the same procedure for installing the left panel.
10. Install the right panel in the direction indicated by the arrow. After installation, ensure that there are no significant gaps between the right panel and the backplane.
11. Secure the right panel in place using screws. Follow the same procedure for the left panel.
12. After all the wall panels are installed, fill the sealant into the contact area between the wall panels and the shower base. Clean up the excess sealant to ensure a neat and clean appearance. After the sealant has cured, the entire installation is complete and ready for use.



Allow the shower wall to fully cure for 24 hours before using it for showering.

Woodbridge warrants its products as listed in below to be free of material and workmanship defect, subjected to the limitations set forth in this limited warranty.

- Bathtub, Whirlpool/Air Bubble Massage Tub, Cold Plunge, 1 Year limited to be free of defects in material and workmanship.
- Sauna room and Sauna Tent : 1 Year limited to be free of defects in material and workmanship.
- Toilet and Bidet : 1 Year limited to be free of defects in material and workmanship.
- Faucet : 1 Year limited to be free of defects in material and workmanship.
- Vanity and vanity top : 1 Year limited to be free of defects in material and workmanship.
- Granite, Marble, Engineered Quartz Vanity Top : 1 Year limited to be free of defects in material and workmanship.
- Medicine Cabinet, LED Mirror : 1 Year limited to be free of defects in material and workmanship.
- Sink : 1 Year limited to be free of defects in material and workmanship.
- Solid Surface Shower Wall Panel, Shower Base : 10 Years limited warranty to be free from material defects.
- Drain Cover and PVC Drain : 1 Year limited to be free of defects in material and workmanship.
- Shower Door : Lifetime warranty on glass components and 1 Year limited on other hardware.

This limited warranty is non-transferable and only applies to products purchased and installed in the United States and Canada.

This limited warranty excludes all industrial, commercial and business usage. Proof of purchase (original sales receipt) from the original purchaser, Description and pictures of defect, model number or model description must be provided to Woodbridge Bath for all warranty claims and Woodbridge Bath IS NOT responsible for labor cost, removal or installation costs.

This limited warranty shall not apply to goods which have been subject to accident, negligence, improper installation, product abuse, product misuse, or use of cleaners containing abrasives, alcohol or other organic solvents, whether performed by a contractor, service company, or yourself, are excluded from this warranty.

This warranty does not cover surface damaged caused by use of chemicals that break through or dissolve the surface finish or damage caused by the accidental dropping of sharp or heavy objects. Improper care and use of abrasive cleaners and will void the warranty.

During this limited warranty period if a malfunction occurs and after inspection it is determined that a defect developed during normal use, Woodbridge will as at its election proceed with any of the following options:

- (1) repair or replace the defective part(s) or product(s) at cost**
- (2) issue a refund of the original purchase price of the product(s) (Valid within 30 days from the date of purchase)**
- (3) issue a credit to be applied toward the purchase of a new product. Shipping/delivery charges may apply and are in sole discretion.**

Caution:

NEVER use cleaners containing abrasive cleaners, ammonia, bleach, acids, waxes, alcohol, solvents or other products that are not recommended for Chrome finish will void the warranty.

Woodbridge products should be installed by a fully insured and licensed contractor only. Installation by anyone other than fully insured and licensed contractor will void this limited warranty.

RESPONSIBILITIES OF OTHERS

Inspecting the unit prior to installation is the responsibility of the installer or building contractor who acts on behalf of the user. They are responsible for ensuring the unit is free of defect or damage. Notices are placed on the unit and on the shipping carton advising the installer of this responsibility. In the event of a problem, the unit must not be installed. Woodbridge is not responsible for failures or damage that could have been discovered, repaired, or avoided by proper inspection and testing prior to installation.

Damage occurring in transit is the responsibility of the carrier. The user or installer MUST open the crate and inspect the unit for damage when it is delivered. If damage is discovered, it must be reported immediately to the seller and the carrier in writing, and an inspection requested. Failure of the carrier to respond should be reported to the seller and the carrier. Your freight claims should be filed promptly thereafter.

This limited warranty does not cover any liability for consequential or incidental damages, all of which are hereby expressly disclaimed, or the extension beyond the duration of this limited warranty of any implied limited warranties, including those of merchant ability or fitness for an intended purpose.

DISCLAIMER

Except as expressly provided, there shall be no warranty or obligation, express or implied, oral or statutory. No dealer or other person has the authority to make any warranties or representations concerning our products. In no event shall we be held responsible for any such warranties or representations.

Some states/provinces do not allow limitations on how long an implied warranty lasts, or the exclusion or limitation of special, incidental or consequential damages, so these limitations and exclusions may not apply to you. This warranty gives you specific legal rights, you may also have other rights which vary from state/province to state/province.

To obtain warranty and replacement parts, please send e-mail to help@woodbridgebath.com with the original receipt information, Woodbridge will determine whether to repair or replace your product, issue a refund or issue a credit.

IMPORTANT!

DO NOT USE: Abrasive cleaners such as: acid, ammonia, bleach, and similar solutions. Use of such solutions may cause corrosion, finish peeling, and/or dull the surface.

DO NOT USE: Abrasive sponges or cloth. Never use steel, wool, or wired brushes that will permanently scratch the

Retain these installation instructions for future reference!

Thank you for using WOODBRIDGE products!

WOODBRIDGE[®]

California (Norwalk) Distribution Center
15600 Blackburn Ave, Norwalk, CA 90650

New Jersey (Somerset) Distribution Center
635 Pierce St, Somerset, NJ 08873

Florida (Orlando) Distribution Center
13645 S Orange Ave, Orlando, FL 32824

Canada (Ontario) Distribution Center
615 Orwell Street, Unit B, Mississauga, ON L5A2W4, Canada



Please don't hesitate to contact us if you have any questions or concerns.

Customer Service Phone: 562-229-0088. (Monday - Friday 9 AM - 5 PM Pacific Time)

Or Email: help@woodbridgebath.com

WOODBRIDGE®
WOODBRIDGE®
WOODBRIDGE®
WOODBRIDGE®

WOODBRIDGE®
WOODBRIDGE®
WOODBRIDGE®
WOODBRIDGE®
WOODBRIDGE®
WOODBRIDGE®