

Installation Instruction

WOODEN BATH TUB

WOODBIDGE®

Model: WB2018



READ ALL INSTRUCTIONS BEFORE UNPACKING THE PRODUCT

INSTRUCTIONS THAT, IF IGNORED COULD RESULT IN DEATH OR SERIOUS INJURY CAUSED BY INCORRECT HANDLING OR INSTALLATION OF THE PRODUCT. THESE INSTRUCTIONS MUST BE OBSERVED FOR SAFE INSTALLATION.

HEAVY!



**TEAM LIFTING
REQUIRED**

**TEAM ARE REQUIRED TO LIFT AND DURING
ENTIRE INSTALLATION OF THIS PRODUCT**

This product must be installed by a fully insured and licensed bathtub installer.

We are not responsible for local code compliance for this product, Building and plumbing codes may vary from state-to-state in accordance to your location, We are not responsible for providing any compliance certifications.

Under no circumstances we are liable for any and all incidental damages sustained in connection with this product. Neither manufacturer, distributor or retailer is responsible for water damage or flood caused by the usage of this product.

Under no circumstances we are liable for any and all fees, cost of installation/reinstallation/removal, subsequent damages or transportation in case of the product defect.

Accessories:

- Headrest x1
- Seat x1



SIDE VIEW



INSIDE VIEW



SIDE VIEW



DRAIN



SIDE VIEW



SEAT

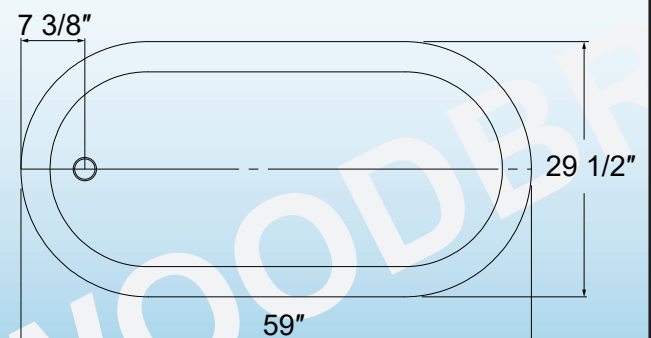
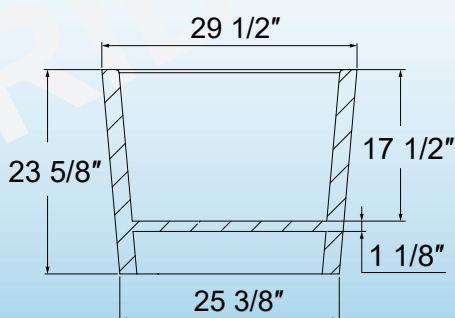
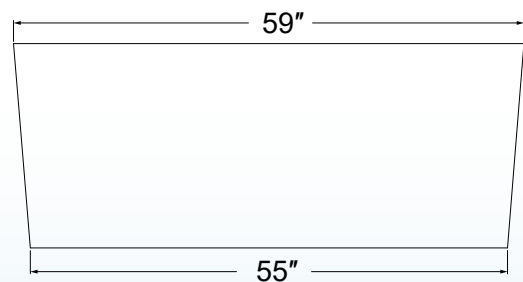
Product Details:

Model: WB2018

Size: (L)59" X (W)29-1/2" X (H)23-5/8"

Capacity: 1 person

Material: Robber Wood



WARNING:

- ① Clean and keep it dry after use, and cover the lip. Avoid exposure to the sun, and avoid placing it in a humid place.
- ② Do not scratch the wooden tub with sharp objects, or it will damage the waterproof layer on its surface.
- ③ Do not use in outdoor.



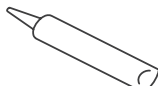
**KEEP OUT OF REACH
OF CHILDREN**

TOOLS REQUIRED FOR INSTALLATION (NOT INCLUDED)

OTHER TOOLS MAY BE REQUIRED



Soft Cloth
or Blanket



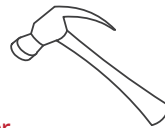
Silicone



Tape
Measure



Pencil/Marker



Hammer



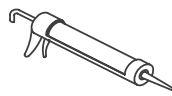
Safety Glass



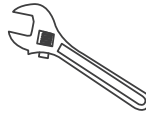
Knife



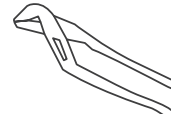
Level



Caulk Gun



Adjustable
Wrench



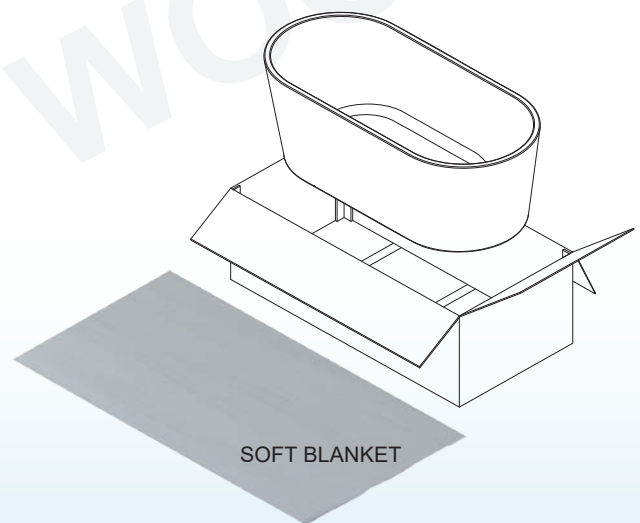
Channel
Lock Pliers

Inspect the bathtub for any damages. If any damage is found please contact your retailer.

Carefully, remove the tub from it's crate/box.

Important Note: Bathtub must be carried by a minimum of 2 adult people in upside down position only. Do not carry the bathtub by its panel.

To avoid scratches or damages to the bathtub be sure to set it on cardboard with soft blanket on top of the cardboard.

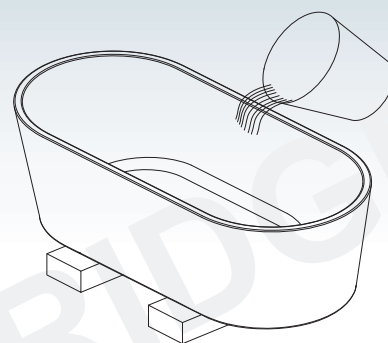


1. Leak test before final installation

Very Important! Before proceeding with installation, please check that push pop-up drain is properly sealed and tightened. Push the pop-up into a close position and fill the bathtub with cold water and check if drain holds the water or any leaks from the bottom of the drain.

Check for any leaks around the drain. (NOTE: Due to surface tension, it is normal for a small amount of water to pool around the drain)

If a leakage occurs please disassemble the drain line, you can apply a plumbing putty/silicone caulk to fix the leakage.



2. Safety Regulations

- ① Children can use it but must be under adult supervision.
- ② It is contraindicated to those who experience skin erosion or any unhealed wounds due to surgery.
- ③ Use with caution after drinking alcohol.
- ④ Consult with your doctor before use when you're feeling sick, taking medication, or pregnant.
- ⑤ Water temperatures above 100°F may cause hyperthermia and/or other health problems.
Check the water temperature and adjust it to your comfort.
- ⑥ Don't overfill the tub before getting in the water. Overfilling can lead to spills and slippery conditions when entering the tub. Be extremely careful when entering and exiting.

3. FAQ:

Why do wooden tub leak after not being used for a period of time?

Due to the natural characteristics of solid wood, if it is not used for a long time or due to temperature changes, it will cause the wood to expand and contract due to heat and cold, resulting in small leaks at the bottom. When encountering this situation, please use the repair kit to repair according to the repair methods in the manual.

4. Wooden Tub Maintenance:

- ① Clean the tub with a soft brush or sponge, and rinse it with clean water after removing the dirt.
Do not use sharp objects or hard brush to scrape the wooden tub. It will damage the waterproof capability of the wooden tub.
- ② Depending on environmental factors and usage levels, please repaint the wooden tub every 1-2 years if needed.
- ③ Due to the natural characteristics of solid wood, if it is not used for a long time or due to temperature changes, the wood may expand and contract due to heat and cold. This may cause small leaks at the bottom of the tub. If such leak happens, please use the repair kit to re-seal the tub according to the repair methods in the manual.

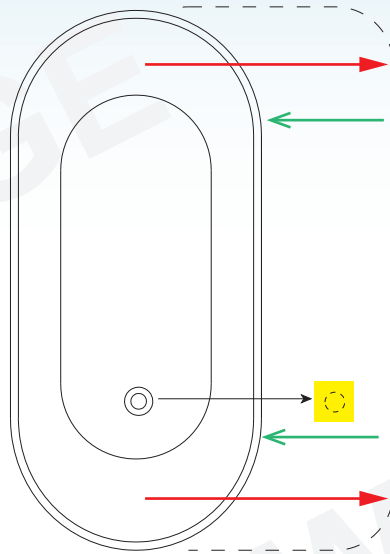


Repair Kit

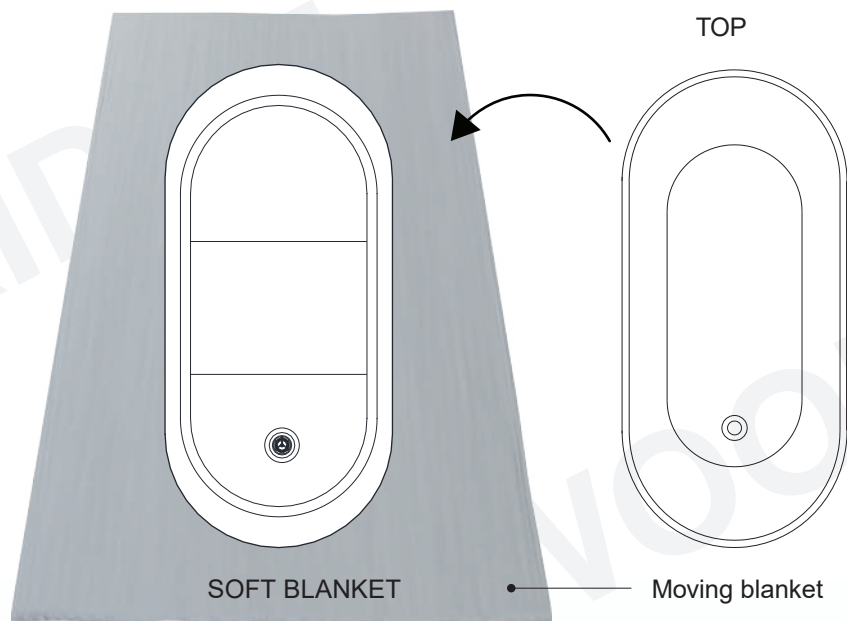
5. How to use the tub repairing kit:

- ① Locate the water-leaking area and use a clean towel or paper towel to wipe out the water and clean up the leaking surface area.
- ② Place the mixing nozzle on the tip of the glue container and insert the glue injector from the other side of the glue container.
- ③ Gently press on the glue injector to apply a bead of glue around the leaking surface. Use the spreader immediately to spread the glue evenly."
- ④ Use the touch-up brush to fine-patch any uneven surface area and remove any excess glue.
- ⑤ Let the glued area dry for a minimum of 24 hours till it is fully dry.
- ⑥ Check for any leaking before use.
- ⑦ Following these steps should help you fix leaks in your tub effectively. Remember to allow sufficient time for the glued area to dry before using the tub again. If the issue persists after following these steps, it is advisable to reach out to WOODBRIDGE Customer Service for additional assistance.

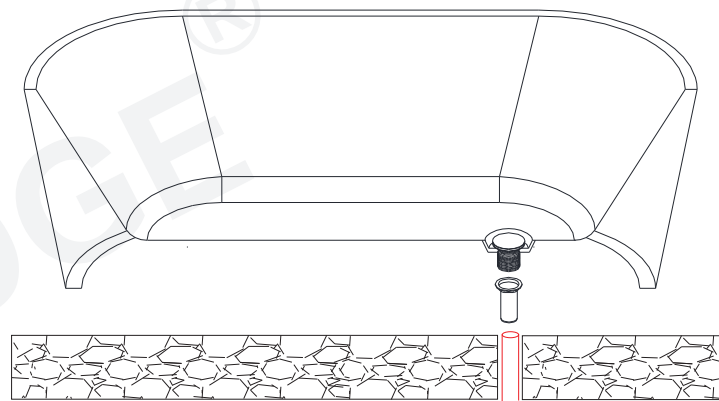
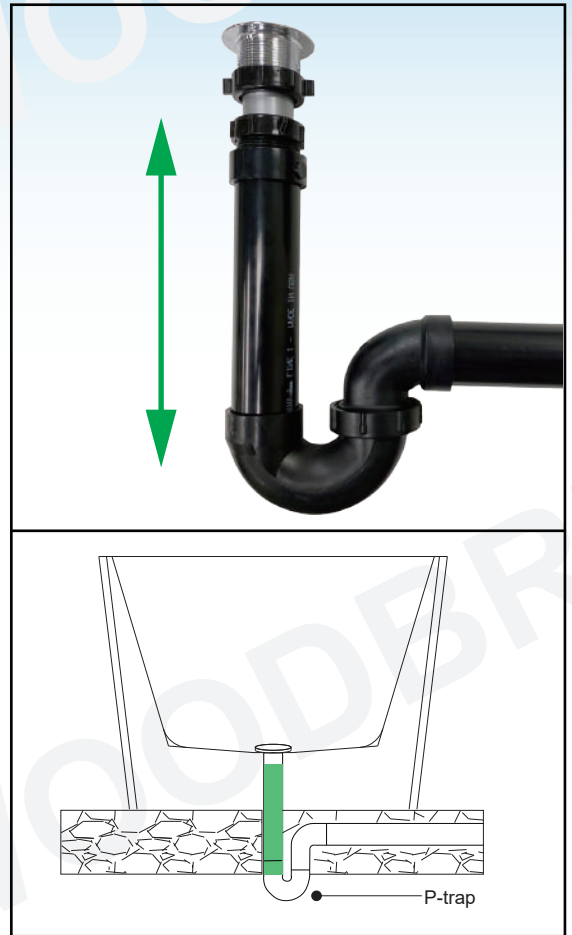
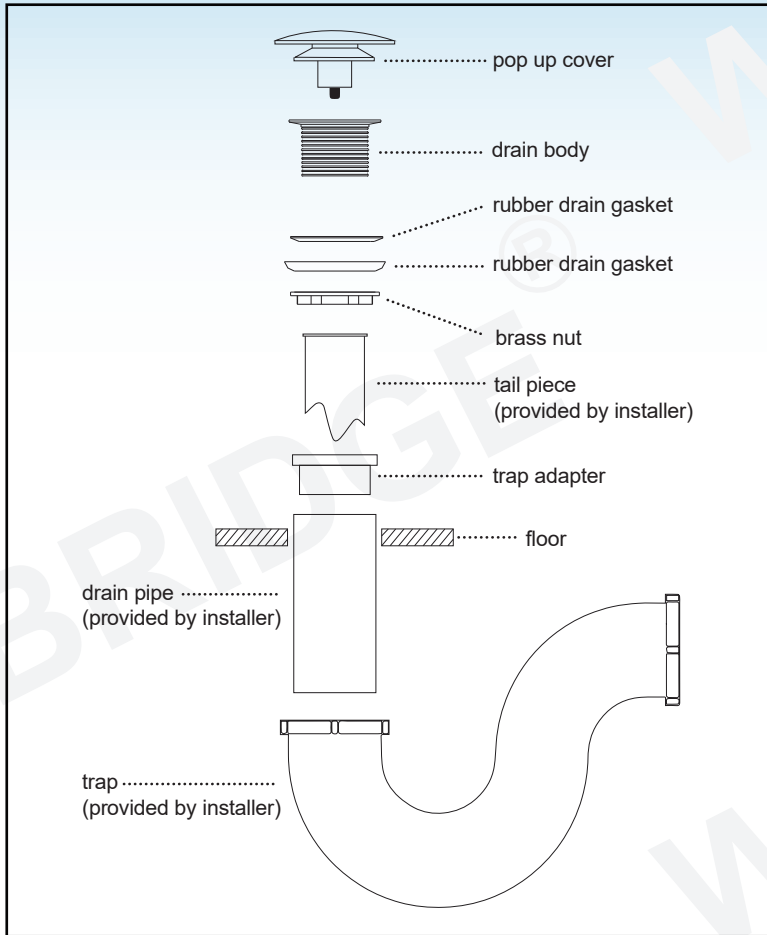
FREESTANDING INSTALLATION



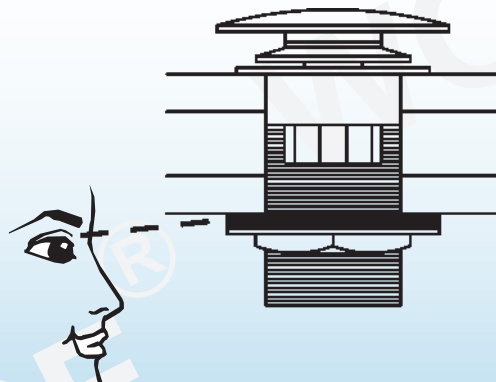
1. Clean, level and prepare the floor for installation, Place the tub in the exact installed location on the floor and trace the outline of the bathtub with pencil and mark the drain hole location on the floor. Move the tub away so that the plumbing can be installed.



2. Turn bathtub upside down and set it on a non-abrasive mat, blanket, or cardboard to prevent any scratches on tub rim.
3. Install an 1-1/2" tail piece along with the corresponding flanged washer and 1-1/2" nut to the drain body.
4. Measure and cut the tail piece to the appropriate length to reach the trap adapter. When setting the tub drain, insert tail piece with 1-1/2" slip joint and rubber washer into the trap adapter and tighten properly.



5. Flip the tub over and carefully set the tub into position with tail piece assembly to P-trap and connect to the drain.



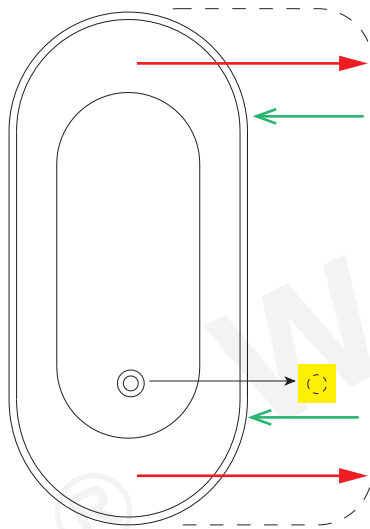
6. Fill the tub with water and then drain the tub while inspecting the waste connection below the floor for any leaks. Access from below will be necessary for this step.

Note:

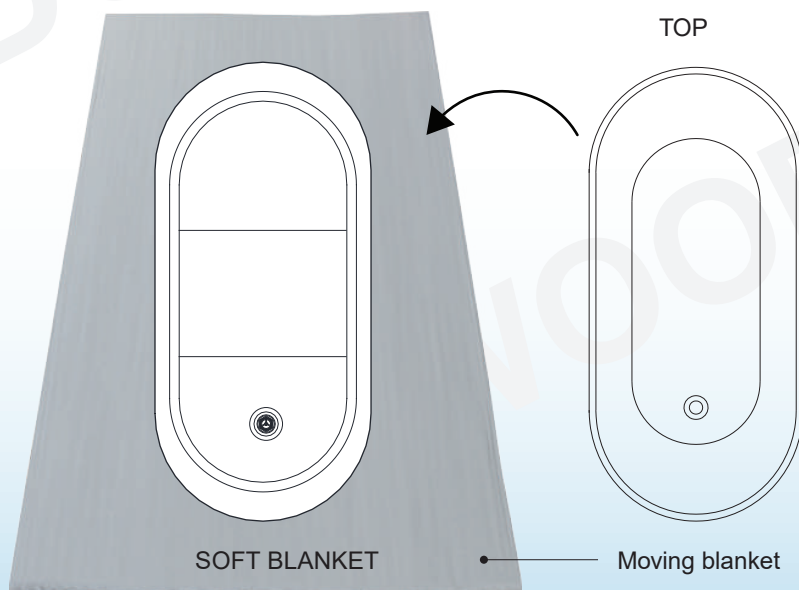
If installing on a concrete slab where no underfloor access or cannot move drain. You may consider following option.

- Optional flexible drain hose from plumbing hardware or home improvement store may be used (Woodbridge will not supply this flexible hose). Connect one end attaches to the bathtub drain and the other end needs to be attached to the floor drain by using a transition piece.
- Optional Island tub drain may also be used.
- Create a bridge from bathtub drain to floor drain by certified plumber only because any mis-joint or loosen on connection will cause leaks.

INSTALLATION ON SLAB FLOOR (NO UNDERFLOOR ACCESS)

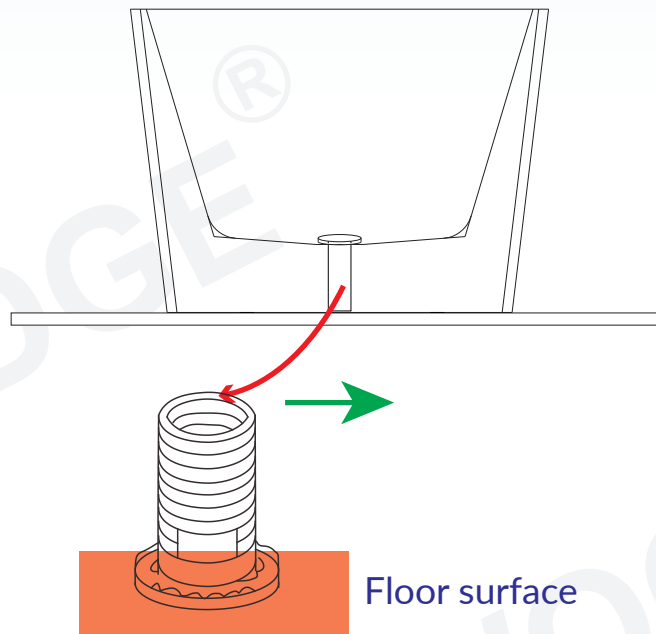


1. Clean, level and prepare the floor for installation, Place the tub in the exact installed location on the floor and trace the outline of the bathtub with pencil and mark the drain hole location on the floor. Move the tub away so that the plumbing can be installed.

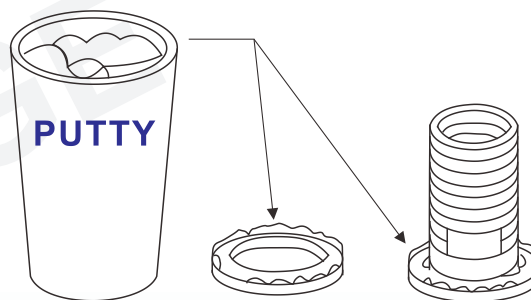


2. Turn bathtub upside down and set it on a non-abrasive mat, blanket, or cardboard to prevent any scratches on tub rim.

3. Measure the actual distance from drain into drain pipe(not provided)on floor and the drain pipe should extend approximately 1" above the finish floor. Use a drain adapter (not provided) if necessary.



4. Clean the surrounding of the drain pipe with cloth in preparation of setting the drain, the area should be dry and free of any debris. Apply a bead of clear silicon or plumber putty around the drain body and pass it through the drain hole, also apply plumber putty to the washer and slide it over the bottom of the drain body.



5. Install 1 ½" rubber slip gasket over the drain waste vent.

Woodbridge warrants its products as listed in below to be free of material and workmanship defect, subjected to the limitations set forth in this limited warranty.

- Bathtub, Whirlpool/Air Bubble Massage Tub, Cold Plunge, 1 Year limited to be free of defects in material and workmanship.
- Sauna room and Sauna Tent : 1 Year limited to be free of defects in material and workmanship.
- Toilet and Bidet : 1 Year limited to be free of defects in material and workmanship.
- Faucet : 1 Year limited to be free of defects in material and workmanship.
- Vanity and vanity top : 1 Year limited to be free of defects in material and workmanship.
- Granite, Marble, Engineered Quartz Vanity Top : 1 Year limited to be free of defects in material and workmanship.
- Medicine Cabinet, LED Mirror : 1 Year limited to be free of defects in material and workmanship.
- Sink : 1 Year limited to be free of defects in material and workmanship.
- Solid Surface Shower Wall Panel, Shower Base : 10 Years limited warranty to be free from material defects.
- Drain Cover and PVC Drain : 1 Year limited to be free of defects in material and workmanship.
- Shower Door : Lifetime warranty on glass components and 1 Year limited on other hardware.

This limited warranty is non-transferable and only applies to products purchased and installed in the United States and Canada.

This limited warranty excludes all industrial, commercial and business usage. Proof of purchase (original sales receipt) from the original purchaser, Description and pictures of defect, model number or model description must be provided to Woodbridge Bath for all warranty claims and Woodbridge Bath IS NOT responsible for labor cost, removal or installation costs.

This limited warranty shall not apply to goods which have been subject to accident, negligence, improper installation, product abuse, product misuse, or use of cleaners containing abrasives, alcohol or other organic solvents, whether performed by a contractor, service company, or yourself, are excluded from this warranty.

This warranty does not cover surface damaged caused by use of chemicals that break through or dissolve the surface finish or damage caused by the accidental dropping of sharp or heavy objects. Improper care and use of abrasive cleaners and will void the warranty.

During this limited warranty period if a malfunction occurs and after inspection it is determined that a defect developed during normal use, Woodbridge will as at its election proceed without any of the following options:

- (1) **repair or replace the defective part(s) or product(s) at cost**
- (2) **issue a refund of the original purchase price of the product(s) (Valid within 30 days from the date of purchase)**
- (3) **issue a credit to be applied toward the purchase of a new product. Shipping/delivery charges may apply and are in sole discretion.**

Caution:

NEVER use cleaners containing abrasive cleaners, ammonia, bleach, acids, waxes, alcohol, solvents or other products that are not recommended for Chrome finish will void the warranty.

Woodbridge products should be installed by a fully insured and licensed contractor only. Installation by anyone other than fully insured and licensed contractor will void this limited warranty.

RESPONSIBILITIES OF OTHERS

Inspecting the unit prior to installation is the responsibility of the installer or building contractor who acts on behalf of the user. They are responsible for ensuring the unit is free of defect or damage. Notices are placed on the unit and on the shipping carton advising the installer of this responsibility. In the event of a problem, the unit must not be installed. Woodbridge is not responsible for failures or damage that could have been discovered, repaired, or avoided by proper inspection and testing prior to installation.

Damage occurring in transit is the responsibility of the carrier. The user or installer MUST open the crate and inspect the unit for damage when it is delivered. If damage is discovered, it must be reported immediately to the seller and the carrier in writing, and an inspection requested. Failure of the carrier to respond should be reported to the seller and the carrier. Your freight claims should be filed promptly thereafter.

This limited warranty does not cover any liability for consequential or incidental damages, all of which are hereby expressly disclaimed, or the extension beyond the duration of this limited warranty of any implied limited warranties, including those of merchant ability or fitness for an intended purpose.

DISCLAIMER

Except as expressly provided, there shall be no warranty or obligation, express or implied, oral or statutory. No dealer or other person has the authority to make any warranties or representations concerning or its products. In no event shall be held responsible for any such warranties or representations.

Some states/provinces do not allow limitations on how long an implied warranty lasts, or the exclusion on limitation of special, incidental or consequential damages, so these limitations and exclusions may not apply to you. This warranty gives you specific legal rights, you may also have other rights which vary from state/province to state/province.

To obtain warranty and replacement parts, please send e-mail to help@woodbridgebath.com with the original receipt information, Woodbridge will determine whether to repair or replace your product, issue a refund or issue a credit.

IMPORTANT!

DO NOT USE: Abrasive cleaners such as: acid, ammonia, bleach, and similar solutions. Use of such solutions may cause corrosion, finish peeling, and/or dull the surface.

DO NOT USE: Abrasive sponges or cloth. Never use steel, wool, or wired brushes that will permanently scratch the

Retain these installation instructions for future reference!

Thank you for using WOODBRIDGE products!

WOODBRIDGE[®]

California (Norwalk) Distribution Center
15600 Blackburn Ave, Norwalk, CA 90650

New Jersey (Somerset) Distribution Center
635 Pierce St, Somerset, NJ 08873

Florida (Orlando) Distribution Center
13645 S Orange Ave, Orlando, FL 32824

Canada (Ontario) Distribution Center
615 Orwell Street, Unit B, Mississauga, ON L5A2W4, Canada



Please don't hesitate to contact us if you have any questions or concerns.

Customer Service Phone: 562-229-0088. (Monday - Friday 9 AM - 5 PM Pacific Time)

Or Email: help@woodbridgebath.com



NOTE



NOTE



Lined area for writing notes.

