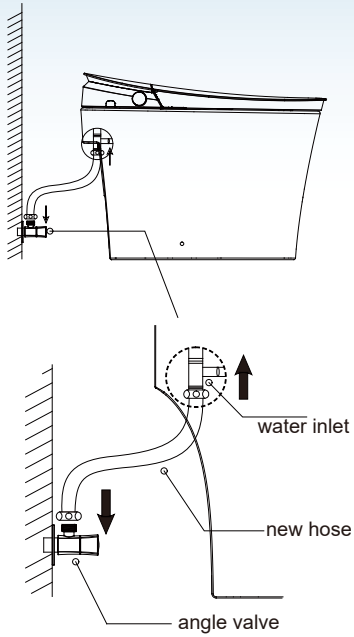


# Installation Option



- Connect the water inlet and angle valve of the toilet with the matching hose and tighten it

