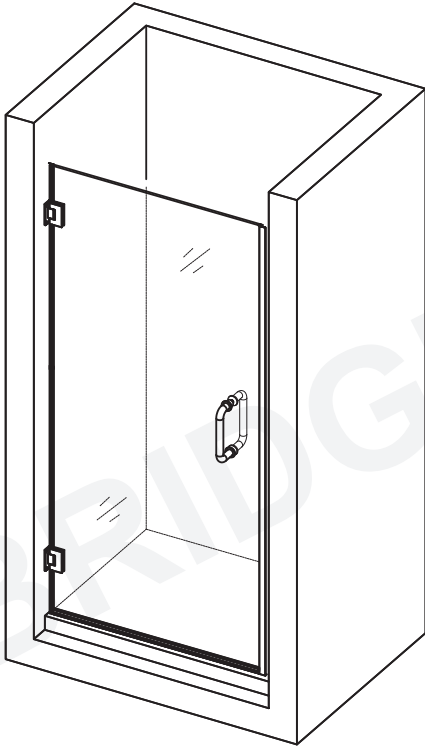
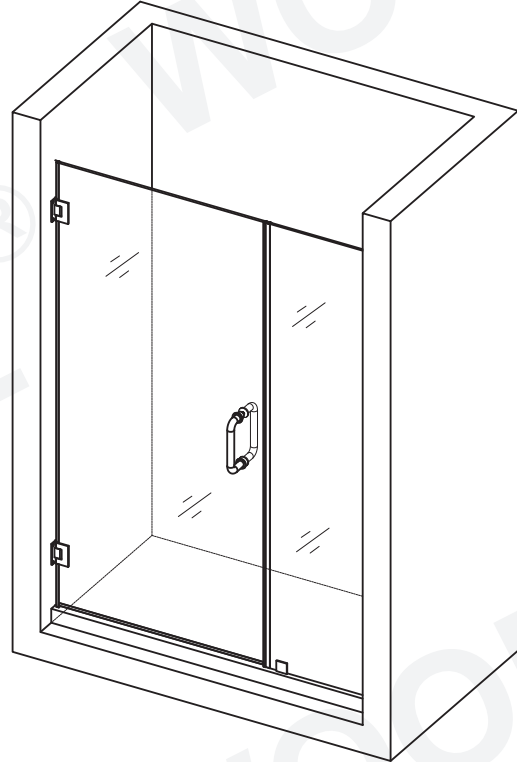


INSTALLATION MANUAL

WOODBIDGE[®] SHOWER DOOR



SHOWER DOORS:
HSD2876-WP
HSD3076-WP
HSD3676-WP



SIDE PANELS:
HSDP1276-WP
HSDP1476-WP
HSDP1876-WP
HSDP2076-WP
HSDP2476-WP

IMPORTANT!

WOODBIDGE reserves the right to alter, modify or redesign products at any time without prior notice for the purpose of product improvement and customer experience. Please refer to WWW.WOODBRIDGEBATH.COM for the latest product details.

Questions?

Please Call Customer Support: 562-229-0088. (Monday - Friday 9 AM - 5 PM Pacific Time)

Or Email: help@woodbridgebath.com

IMPORTANT

- WoodBridge reserves the right to alter, modify, or redesign products at any time without prior notice for product improvement or functionality.
- Professional installation required. This product should be installed by someone experienced with the construction requirements for this type of project, the care necessary to responsibly and safely install, and familiarity with glass installation.
- The safety of all installations is the responsibility of the installer who should be licensed and bonded.
- To prevent breakage and injury, do not attempt to lift, move, or install the glass alone. Use an assist and suction cups intended for heavy glass when applicable.
- To prevent breakage and injury, do not lean or push against glass panels.
- The installation of this model requires drilling into the dam/curb/threshold to properly affix the clip, guide, and threshold. Contact the manufacturer of your base, or tub with any questions regarding drilling into their product, or consult your installation professional.
- This model requires minimum 3" dam/curb/threshold width to complete installation.
- Drawings included in this manual are illustrative only and do not reflect actual scale.
- No out of plumb adjustment.
- Glass cannot be installed if the overall width of the shower opening is greater than the width as described for the product.

WARNING FOR TEMPERED GLASS: TO AVOID RISK OF DAMAGE OR INJURY

- Tempered safety glass is designed that when broken, will shatter into thousands of tiny pieces, greatly reducing the chance of great bodily harm.
- Follow all requirements and recommendations in the instruction manual.
- Perform a thorough inspection of the glass and hardware for any damage prior to installation.
- Do not install damaged glass.
- Do not install or operate if glass panels have chipped corners, slivered edges, or any other visual defect. If damage is found contact WoodBridge immediately. If installed in this state WoodBridge is not responsible for any breakage.
- Do not install glass panels that have been dropped on, or bumped into any surface harder than itself.
- Improper handling may cause breakage.

While incredibly resistant to direct impact, corners and edges are the most susceptible to damage, causing breakage. These edges should be protected and handled with care, never allowed to come into contact with any material harder than itself, such as tile, stone, metal, or even other glass. A concentrated point of impact or contact with such material can cause the glass to shatter. Tempered glass may release all at once, or partially, releasing hours or even days later with vibration and normal use.

- Incorrect installation of the hardware, rollers, stoppers, or glass may cause breakage. Improper installation would include loose hardware, or lack of gaskets between hardware and glass. Installing out of level or plumb causing extra stress could cause to break

- Improper use of the product.

Do not place towels or anything else over guide rail. Aggressively opening or closing the slider may cause trauma to the glass which could lead to breakage.

- Do not attempt to cut tempered glass.
- Always wear safety equipment such as goggles, work gloves, proper footwear etc... during installation.
- Instruct homeowner on how to conduct periodic inspections and how to properly maintain the glass and all hardware.
- Consideration should be given when installing tempered glass products in households with young children or elderly.

PREPARATION

- Thoroughly read the instructions before installing or using the product.
- After boxes and packages are open, before installation, check that all items from the parts list are there by marking each one off the list.
- Examine the glass and parts for defects or damage.
- Please note that Woodbridge will not replace any missing or damaged items free of charge after 5 business days or if the product has been installed.
- Building codes vary by location and you should refer to your local building codes when installing. WoodBridge is not responsible for code compliance and will not accept returns on that basis.
- Prior to installation ensure that all surfaces are smooth and even. Ensure the dam/curb/threshold is level side to side and that it has slope/fall in the direction of the shower pan. Ensure the walls are plumb and the opening measures the same top and bottom. Ensure that the installation surface is solid and able to support the weight of the doors.
- Please note that irregular installation surface, round lower corners, or out of plumb walls will result in serious problems for your installation.
- Some adjustments and drilling/screwing will be necessary throughout installation.
- Woodbridge shower doors are not designed to be installed on fiber glass surrounds that have round lower corners or lack of solid mounting surface.
- Glass must never be set down directly on any hard surface. Always use pieces of wood or thick cardboard to protect lower edge at all times. Leave corner protectors in place until it is time to remove them

Important Note

Attention:

These Woodbridge shower doors include SHATTER-SAFE protective film on the side of the glass without the certification information printed on it, see the fig 1 & 2.

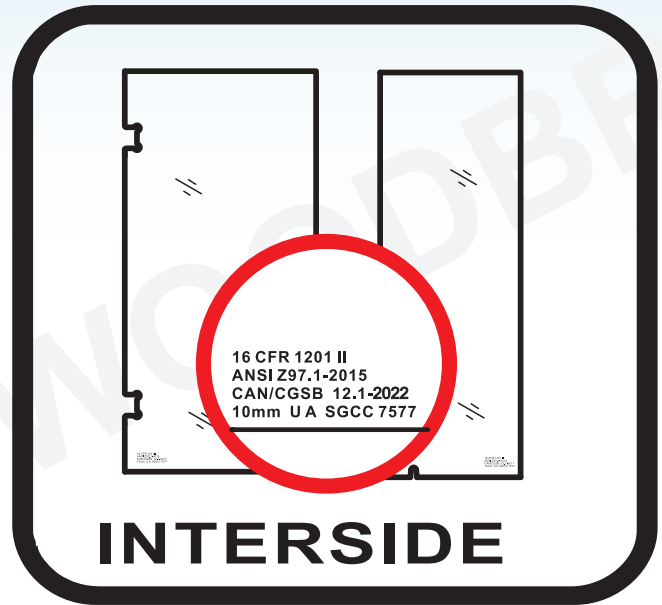


Fig 1

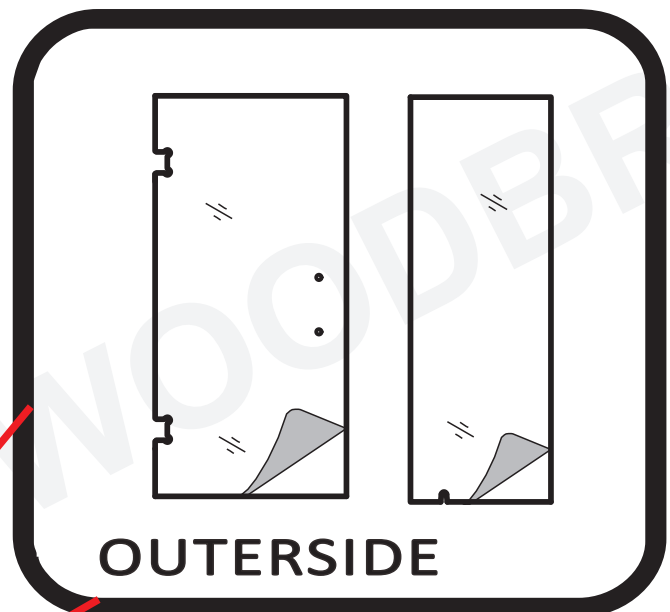
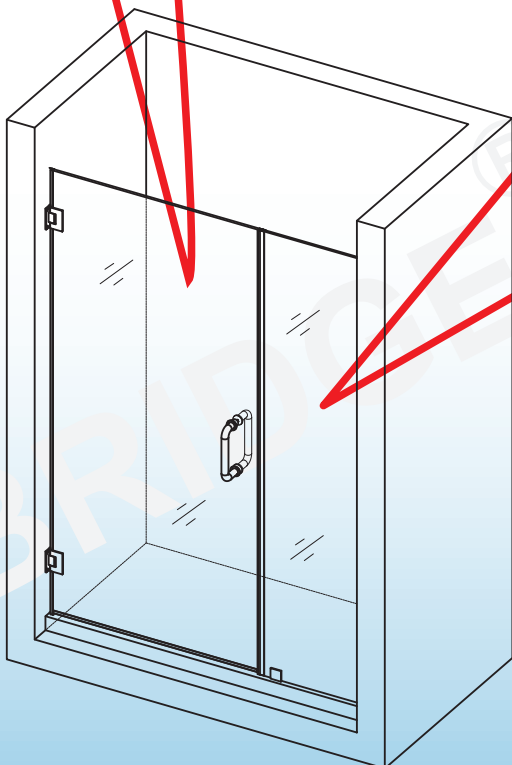
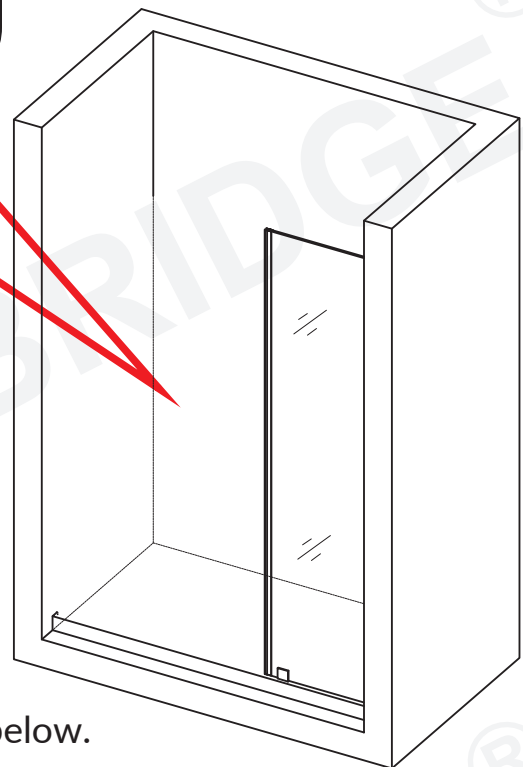


Fig 2

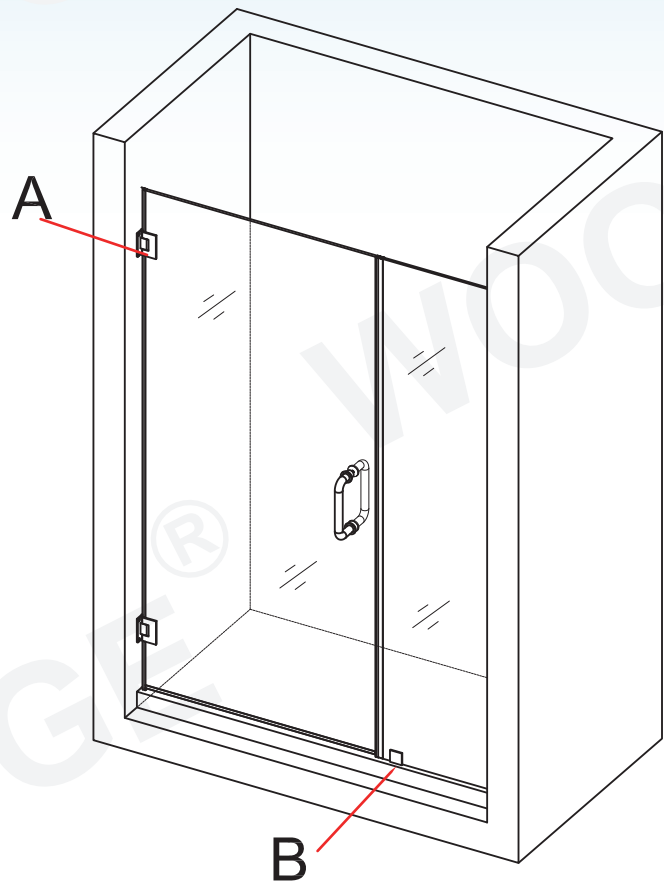


SHATTER-SAFE protective film helps to hold glass in place in the event of breakage. Allowing the panel to be carefully removed by a professional at a later date.



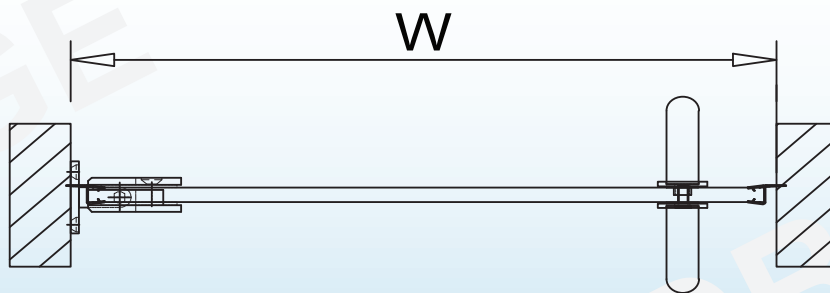
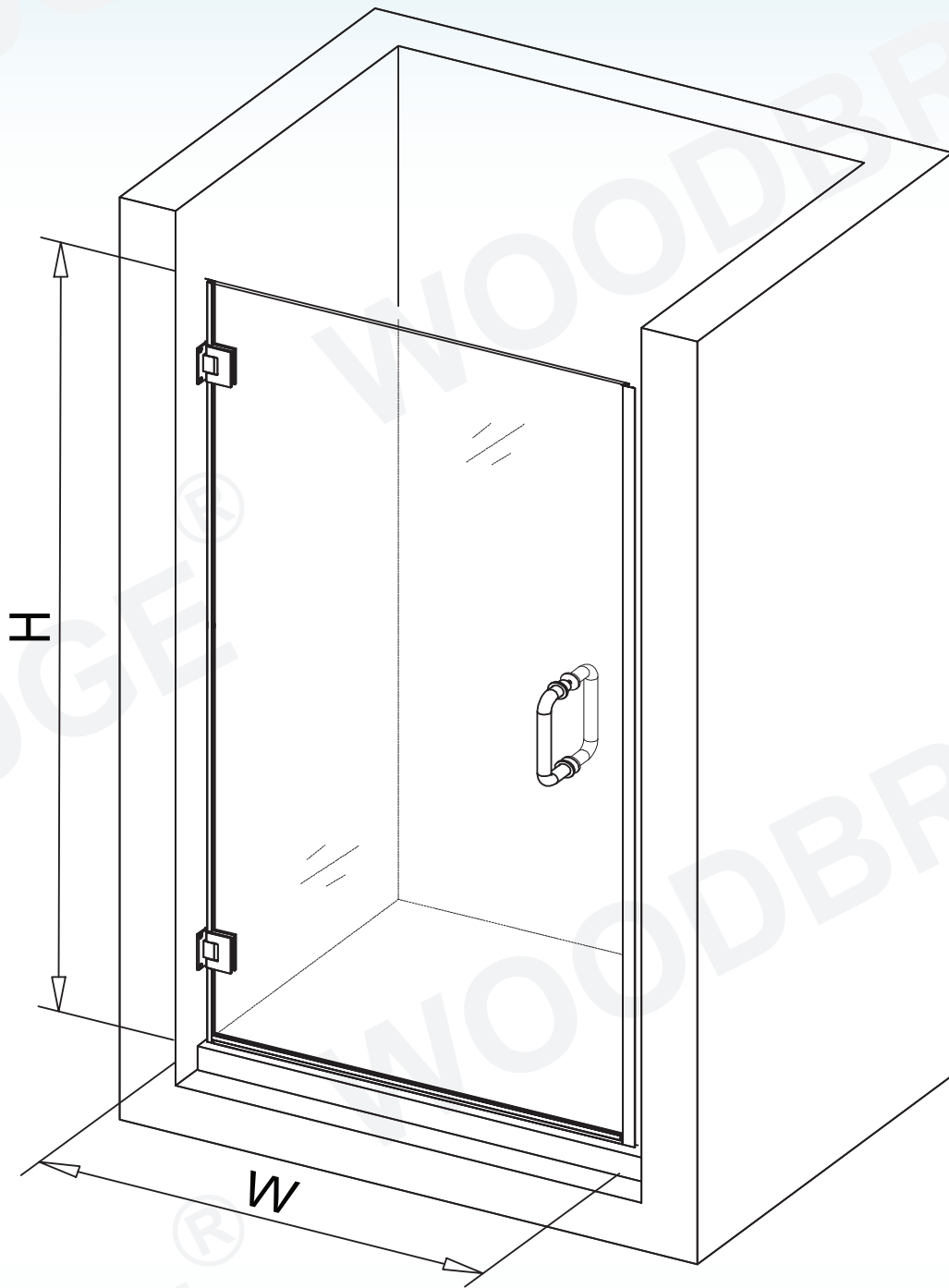
In the event of breakage please follow the steps below.

1. If someone is inside the shower, move the panel slowly out of the way and exit the bathroom as soon as possible. Do not allow anyone to re-enter bathroom until prepared to remove and dispose of broken panel.
2. Utilize safety precautions such as a hard-hat, safety glasses, leather gloves, proper footwear and moving blankets to minimize risk of injury.
3. It is recommended that two people assist in the removal of the panel. One person to hold panel steady, and the other to un-install the hardware. Then carefully remove glass from shower and lay flat on cardboard or plywood until it can be removed. Once laying flat a razor knife or box cutter can be utilized to cut the film and remove in smaller pieces.

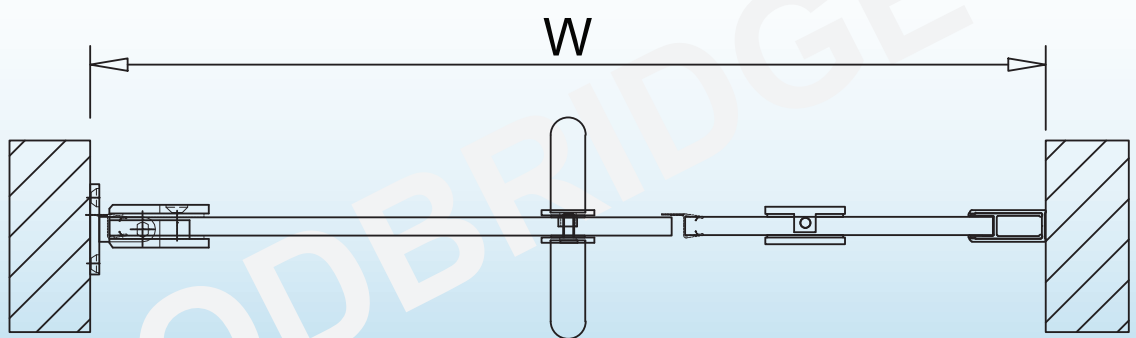
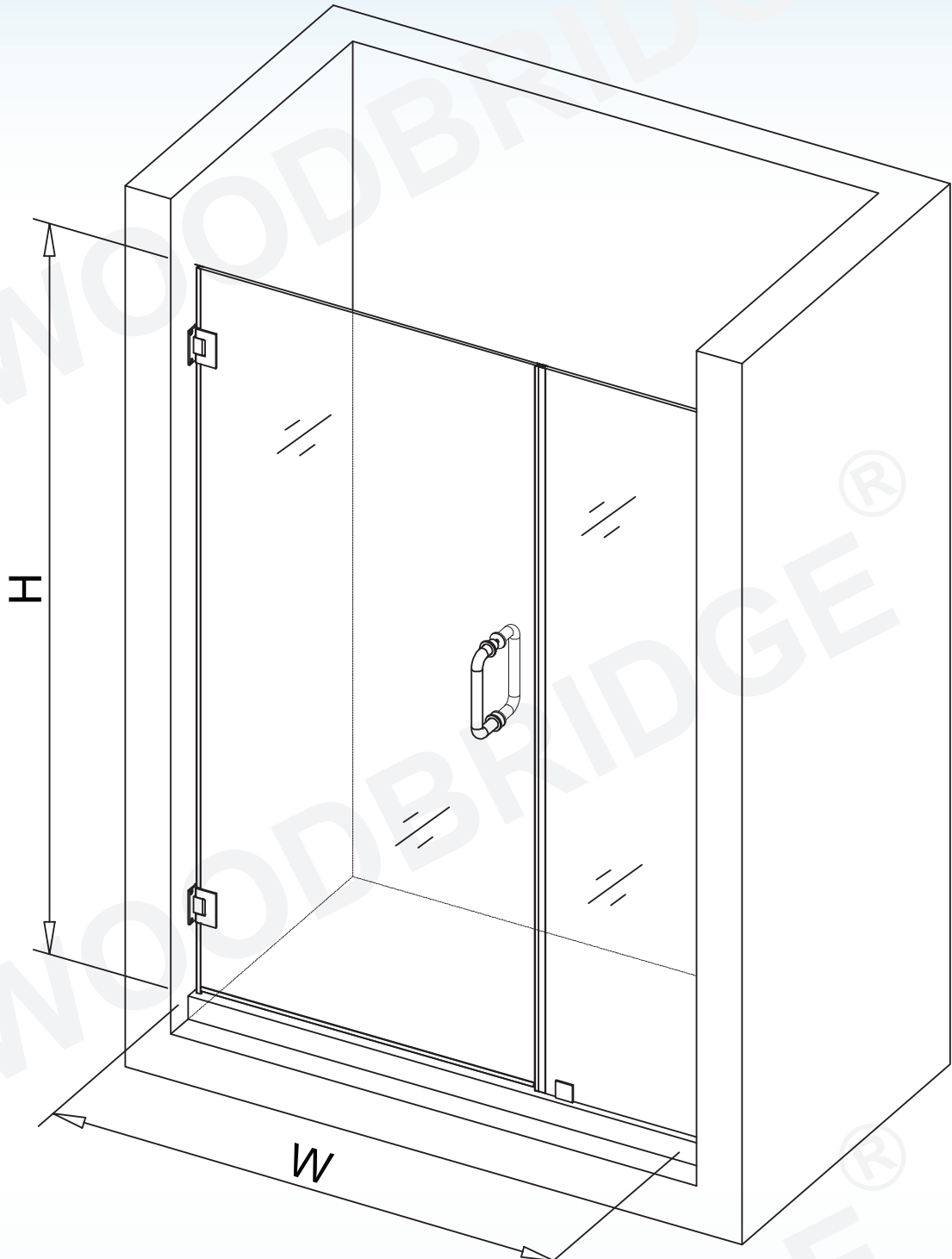


IMPORTANT INFORMATION REGARDING THE INSTALLATION OF THIS SHOWER DOOR

- A. Hinges and Wall Profile must be firmly attached to the wall. Installation into a stud is strongly recommended.
- B. The vinyl seal should be installed along the door glass's closing edge to prevent the door from making contact with the wall.
- C. When installing the hinges, clamps, and handles onto the glass door, ensure that clear rubber gaskets are placed between the glass and the hardware. The metal parts should not come into direct contact with the glass holes.

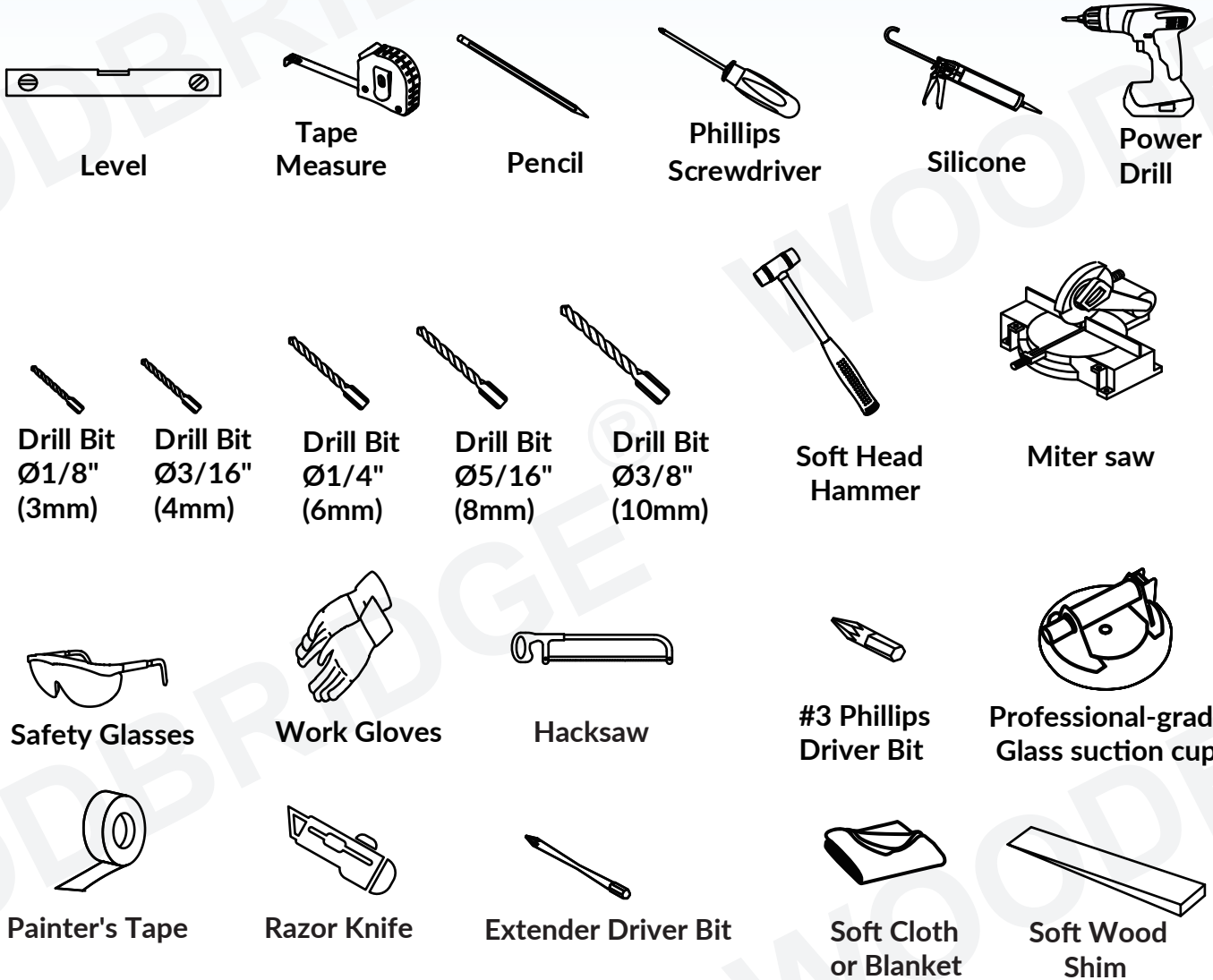


Minimum Threshold Size Requirement: 13/16"



Minimum Threshold Size Requirement: 13/16"

Tools

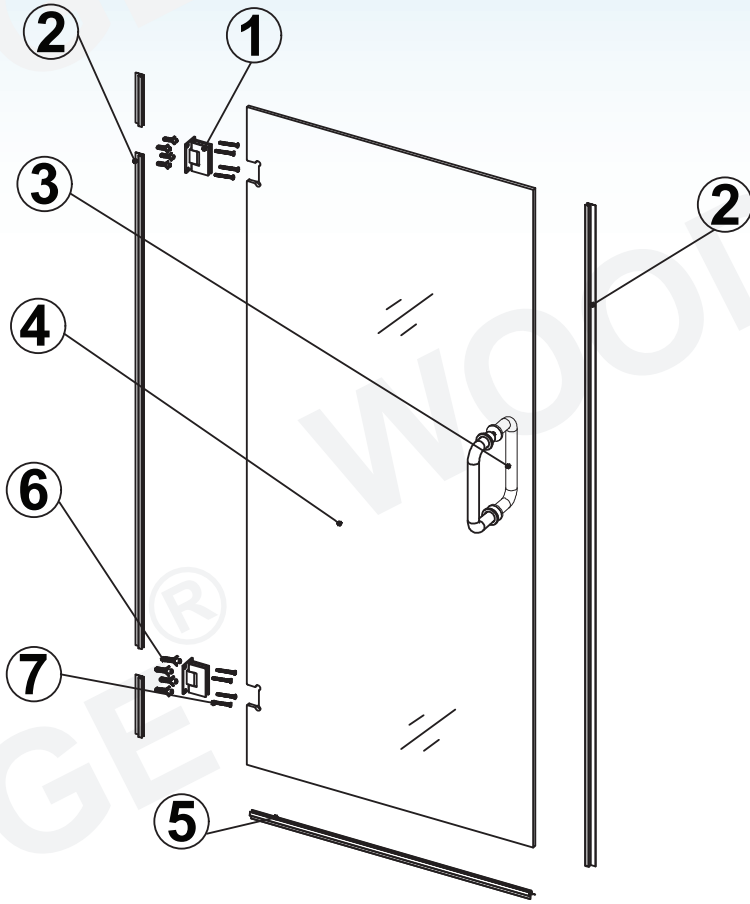


INSTRUCTIONS THAT, IF IGNORED COULD RESULT IN SERIOUS INJURY OR DEATH CAUSED BY INCORRECT HANDLING OR INSTALLATION OF THE PRODUCT. THESE INSTRUCTIONS MUST BE OBSERVED FOR SAFE INSTALLATION!

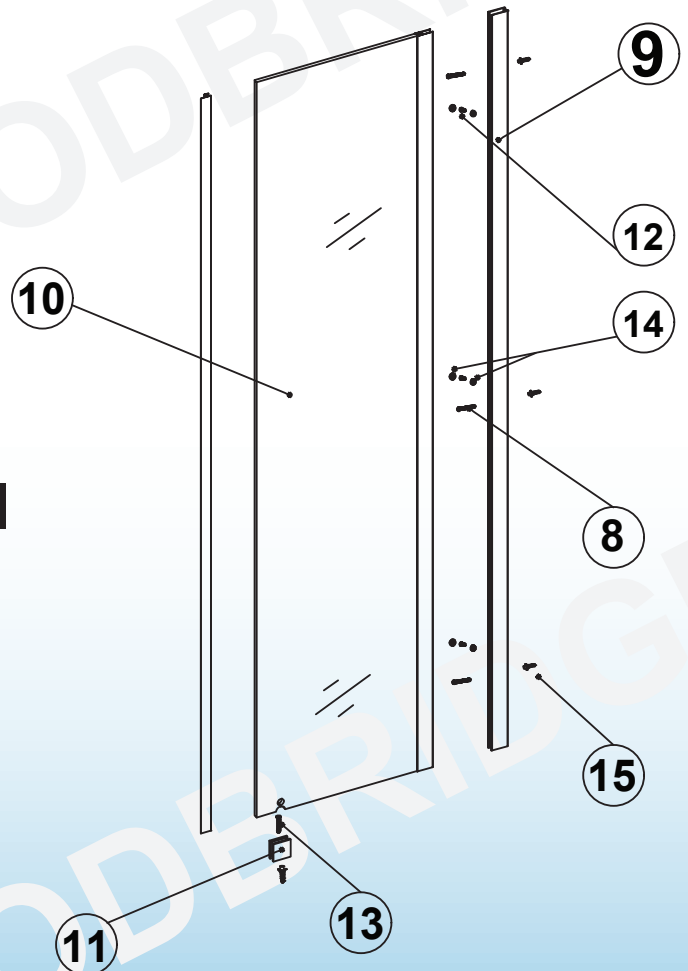
LICENSED AND INSURED PROFESSIONAL CONTRACTOR IS REQUIRED TO INSTALL THIS PRODUCT INCLUDING ASSISTANCE OF A SECOND PERSON DURING INSTALLATION

No modifications to the product are allowed. Modifications of any types to the product will result in serious injuries or may cause death.

IMPORTANT: Do not install the handle on to the glass door until the instruction tells you to do so. Never lift the glass using the handle. Failure to do so will result in serious personal injury and could cause damages to the glass. Professional graded glass suction cups are highly recommended while handling extremely heavy glass. This product must be installed on a finished threshold and against finished walls only. This product is intended for residential use only.

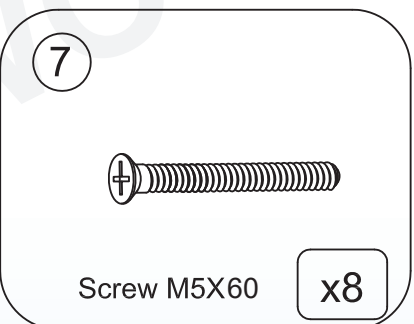
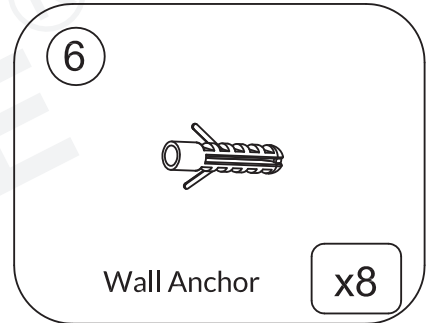
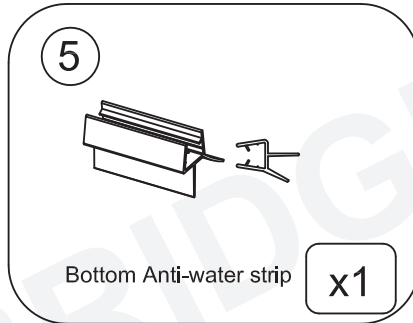
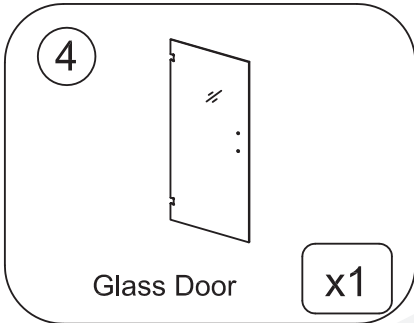
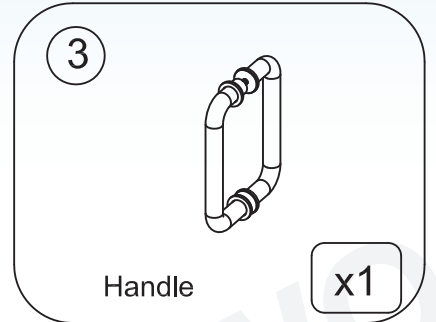
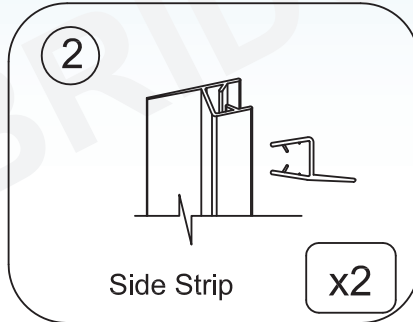
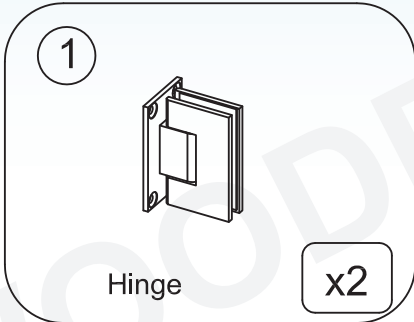


Glass Door



Side Panel

Parts List for Glass Door



Parts List for Side Panel

8



Screw M4X60

x3

9



Wall Profile

x1

10



Fixed Glass
(with glass profile)

x1

11



Bottom Bracket

x1

12



Round Head Screw
ST3.5x13

x3

13



Countersunk Screw
M4x30

x1

14



Screw Cover

x3

15



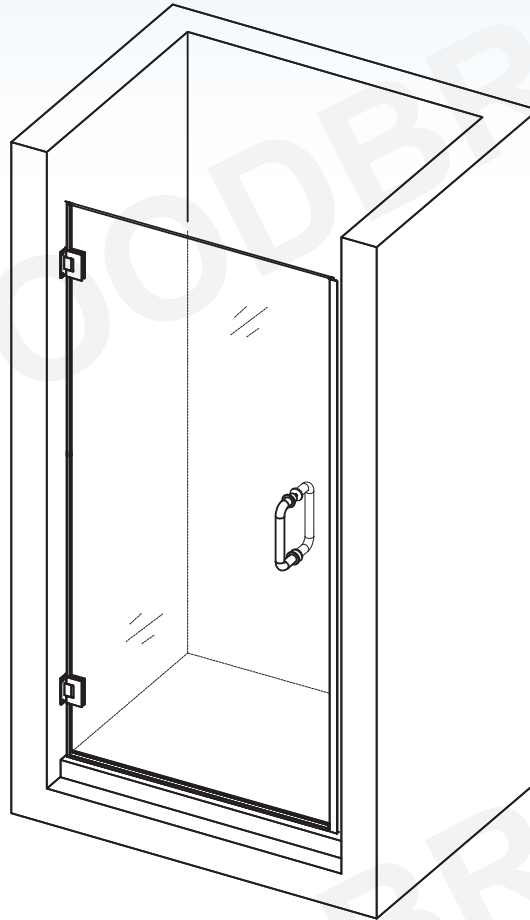
Wall Anchor

x3

WOODBIDGE®

Single Shower Door Assembly and Installation

Configuration 1



1. Disassemble the hinge and attach the Hinges (1) to the Glass door (4). See Figure 1 for details.

IMPORTANT: Make sure that clear rubber gaskets and the plastic gasket are in between the glass door and the hinge plates.
IMPORTANT: Do not let any metal parts come into contact with the glass directly, which will damage the glass notches and cause scratches or damage to the Glass Door. If ignored, could result in serious injury or death.

ATTENTION:

Never set your glass down directly onto a tile or concrete floor. Always use a piece of wood or cardboard and leave the corner pads on the glass until it becomes necessary to remove them to protect the bottom edge and the corners of the glass from

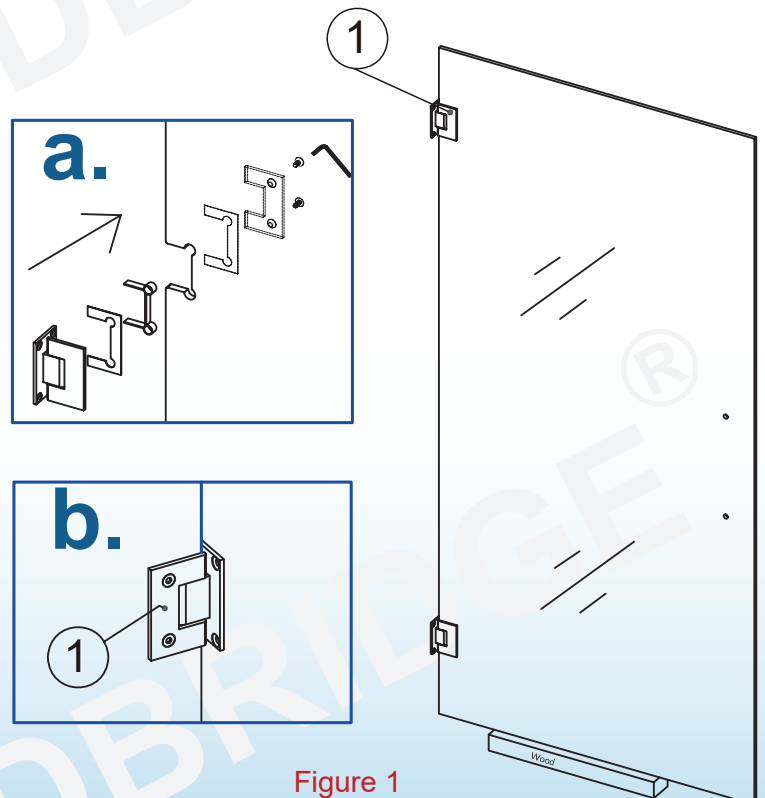


Figure 1

2. Remove the corner pads from the Glass door (4). Cut the Side strip (2) according to the measurements. Slide the Side anti-water Strip (2) to the Glass Door (4).

See Figure 2 for details.

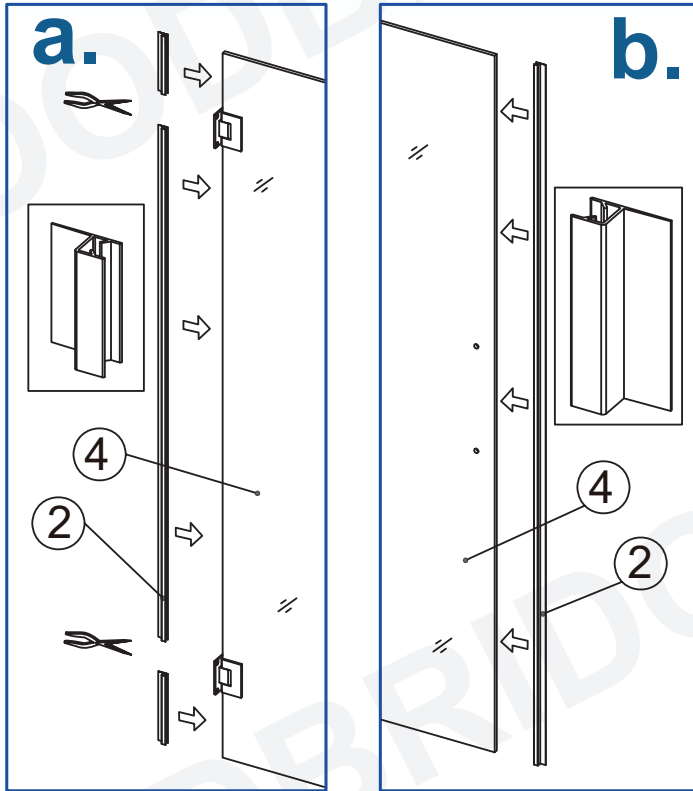
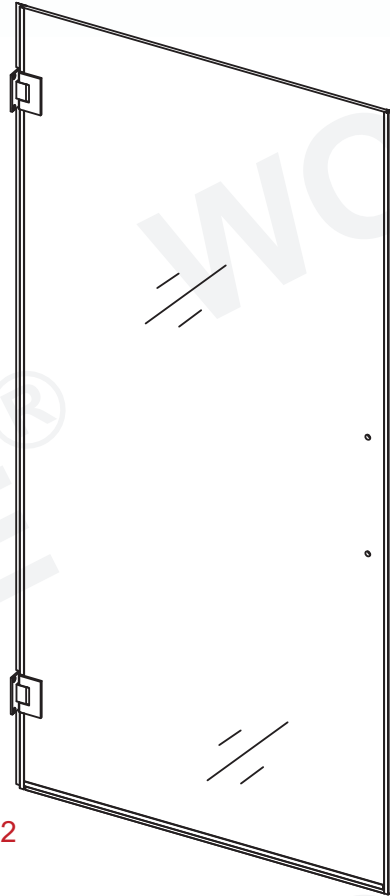


Figure 2



3. Place a piece of flat timber (3/8" thick) on the shower base. Place the Glass door(4) on the flat timber. Carefully butt up the door with hinged side against the wall, adjust its position and level it vertically and horizontally.

ATTENTION:

Please check with a level and be sure that the door is absolutely plumb.

See Figure 3 for details.

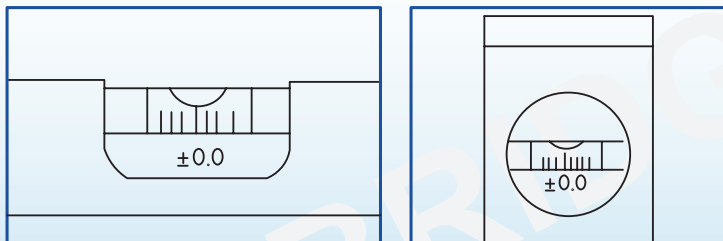
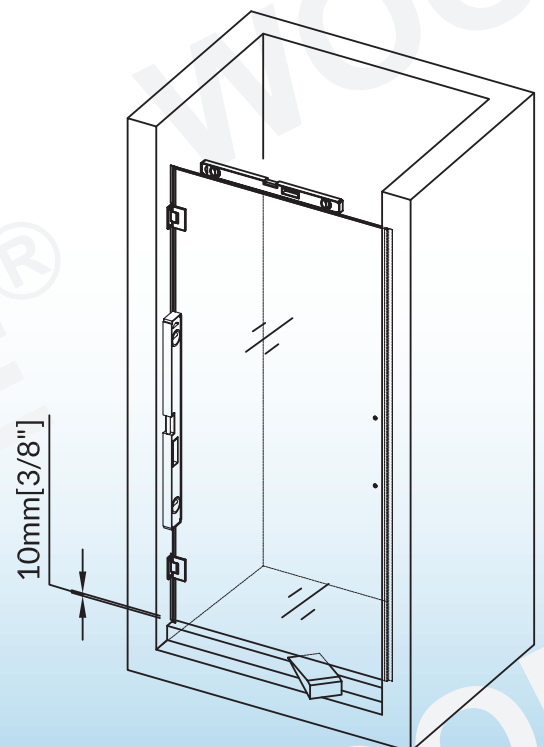


Figure 3



4. Hold the door in place and mark down the drill holes for both Hinges (1) on the wall. Set the door aside and drill the holes in the wall using $\text{Ø}8\text{mm}(\text{Ø}5/16\text{'})$ drill bit. Apply silicone into the holes on the wall and insert the wall anchors (6)

ATTENTION: This door is extremely heavy and the hinges on this door must be attached to the studs or to preinstalled 2×4 wood reinforcement behind the wall.

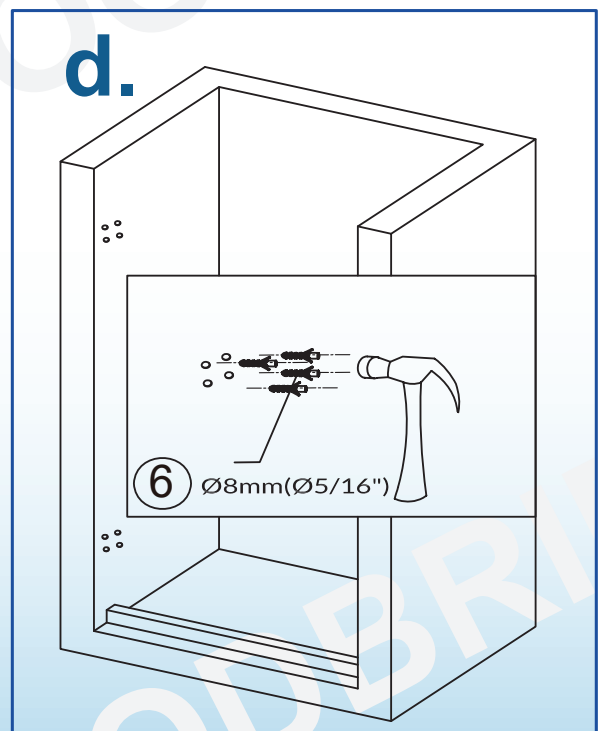
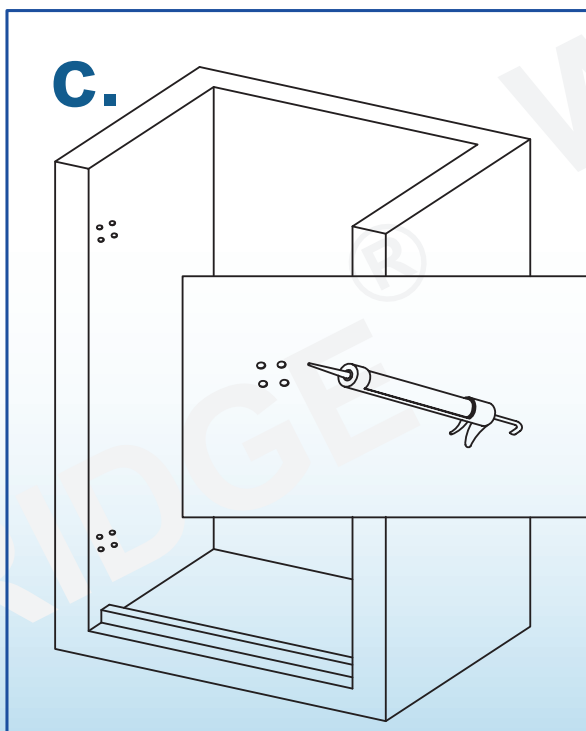
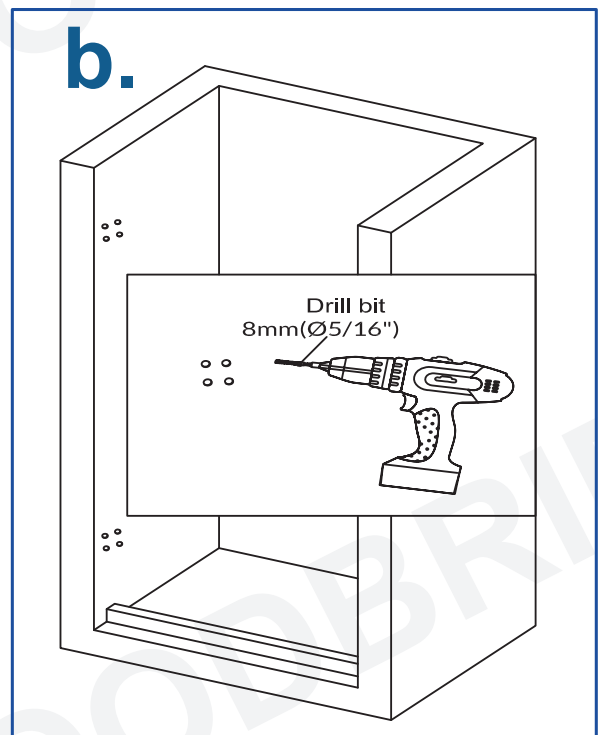
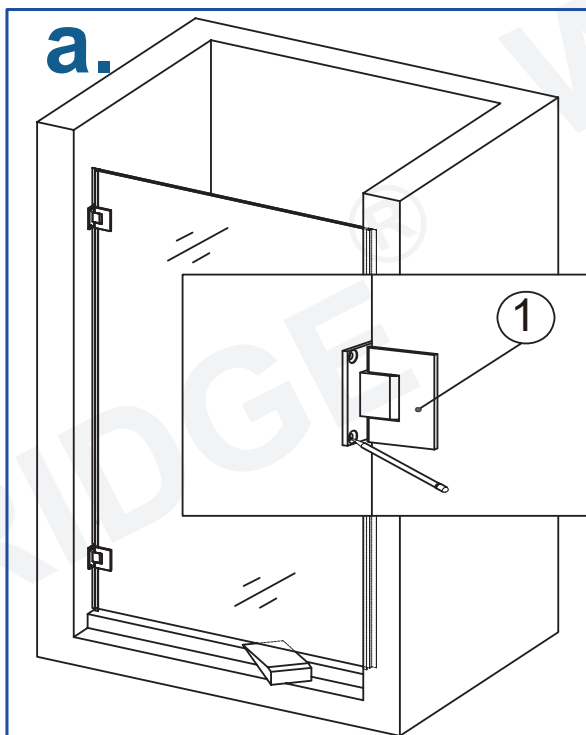


Figure 4

5. Disassemble the Hinges (1) from the glass door carefully and set the Glass Door (4) aside. Locate the main body of the hinge to the predrilled holes, fasten the main body of the hinge to the wall with screws M5 x 60 (7). Place the Glass Door back to its position and reassemble the Hinges.

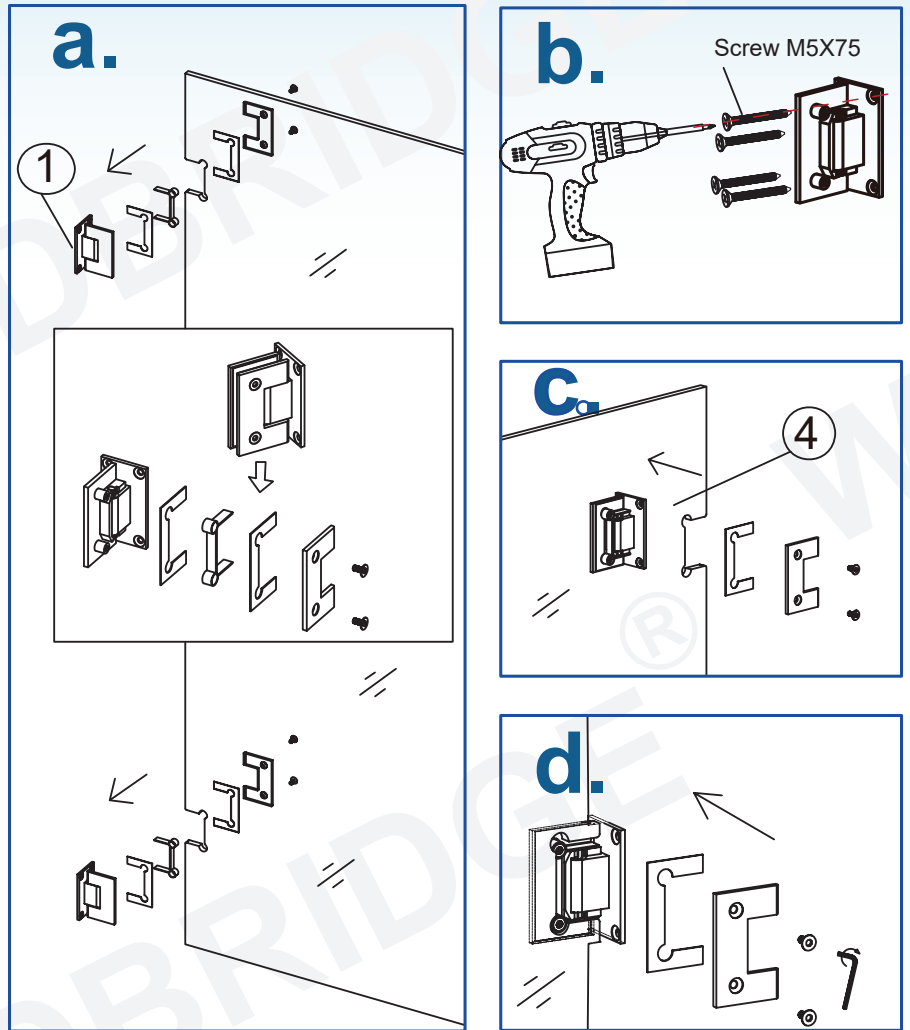


Figure 5

6. Mount the Handle (3) to the Glass Door (4). Place the Bottom Anti-Water Strip (5) to the bottom edge of the Glass Door. See Figure 6 for details.

IMPORTANT:

Make sure that clear rubber gaskets are in between the Glass Door and handle washer.

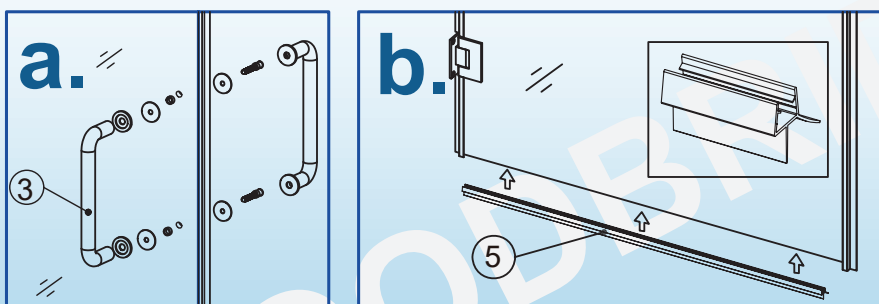
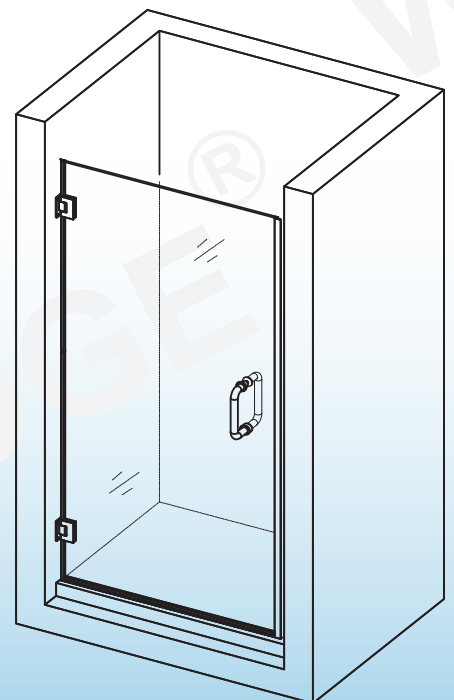


Figure 6



Configuration 2

Fixed Glass Assembly and Installation

Note: Use parts from SIDE PANEL COMPONENTS on page 12 for fixed glass assembly and installation. If you only order the glass door with hinges, you do not need to read this fixed glass installation instruction

7. Press the Fixed Glass (10) with attached Glass profile into the slot of Wall profile (9) Press the Anti-Water strip (8) on the vertical edge of the fixed glass. Install the Bottom Bracket (11) to the Fixed Glass.

See Fig. 7 for details.

IMPORTANT: Make sure that clear rubber gaskets are in between the glass door and the bracket plates.

IMPORTANT: Do not let any metal parts come into contact with the glass directly, which will damage the glass notches and cause scratches or damage to the Glass Door. If ignored, could result in serious injury or death.

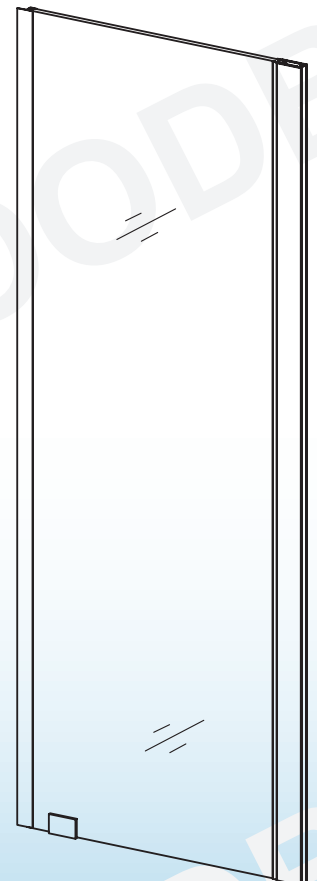
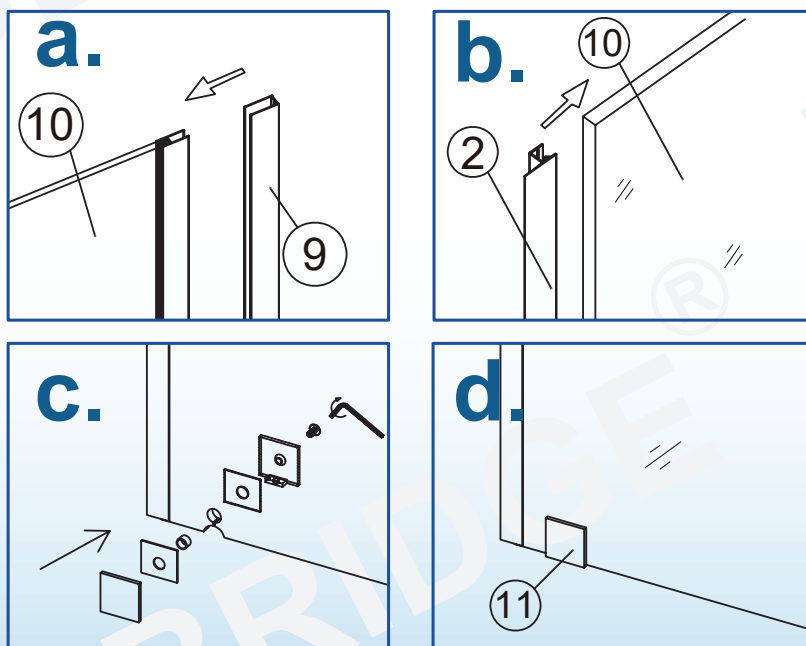
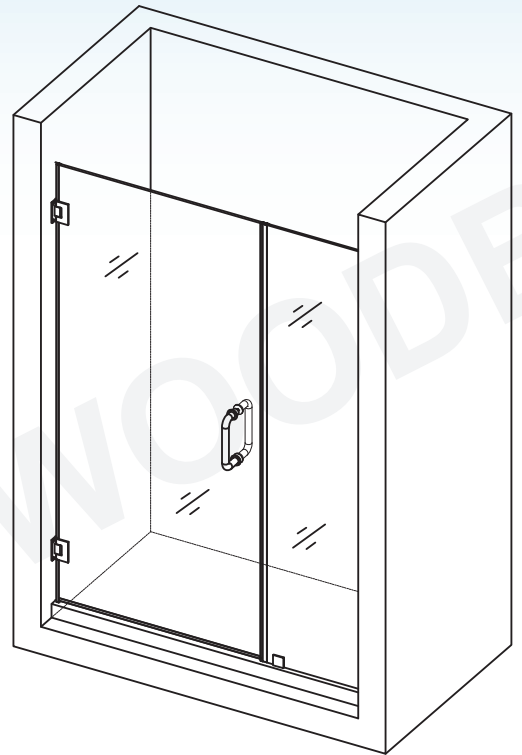
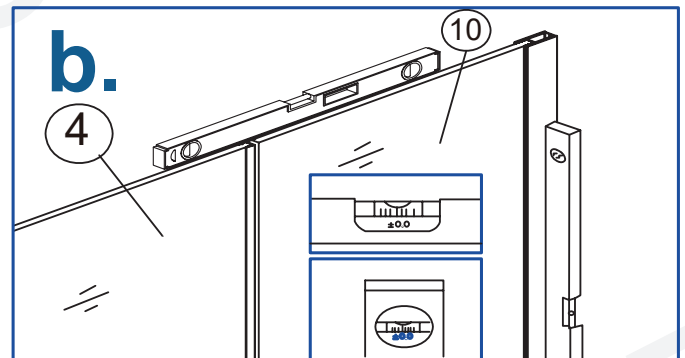
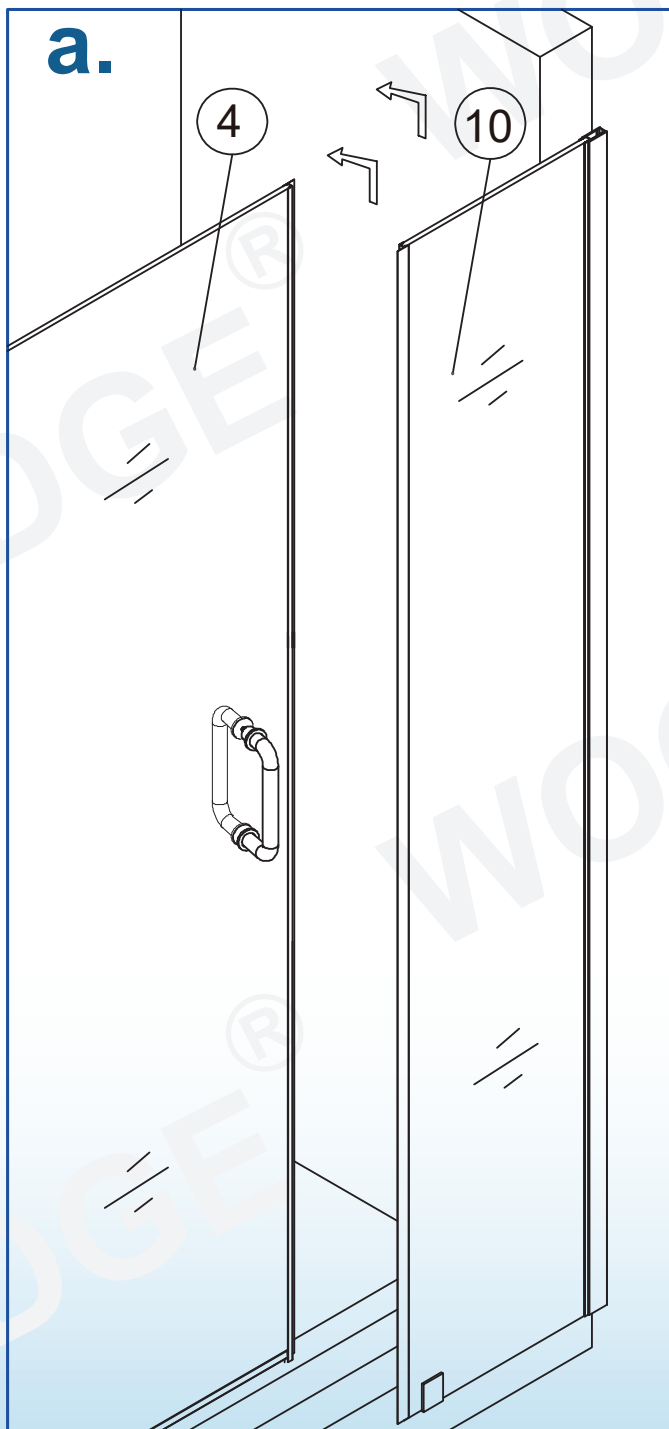


Figure 7

8. Push the Fixed Glass installed with profiles against the wall, align the Fixed Glass (10) with the Glass Door (4) and level it. Make sure the gap between the fixed glass and glass door. If needed adjust the position of the Fixed Glass by pulling out the fixed glass with glass profile from the slot of the Wall Profile or push the fixed glass with glass profile to the slot of the wall profile to make sure the Anti-water strips work well.

See Fig. 8 for details.



c. Note: The fixed panel width can be adjusted by increasing or reducing the overlap between the glass profile and wall profile, there will be around 1" adjustment.

Example:
 Min W=8"
 Max W=8"+1"=9"

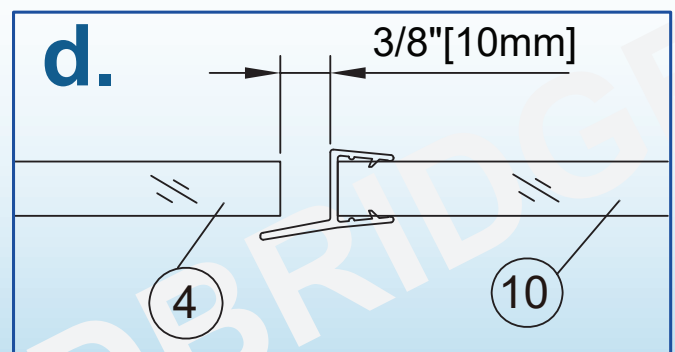
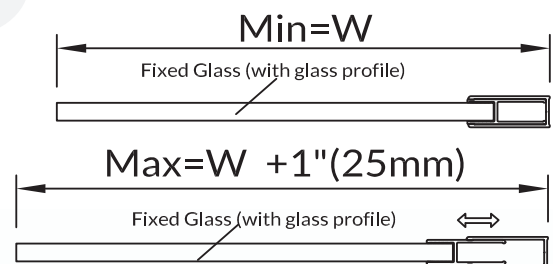
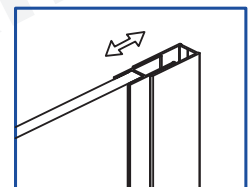
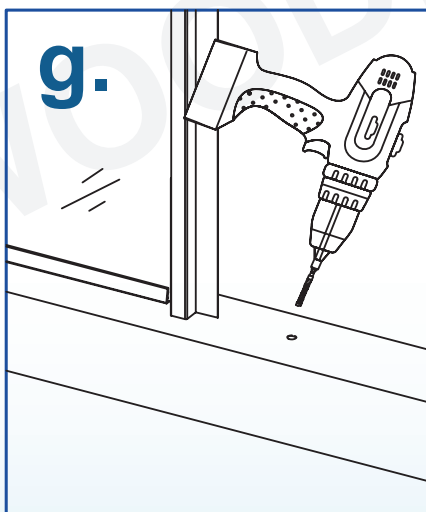
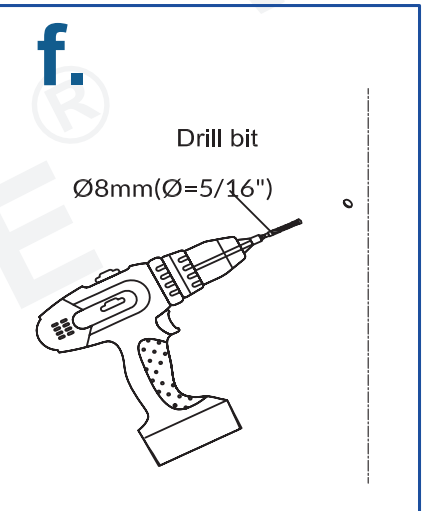
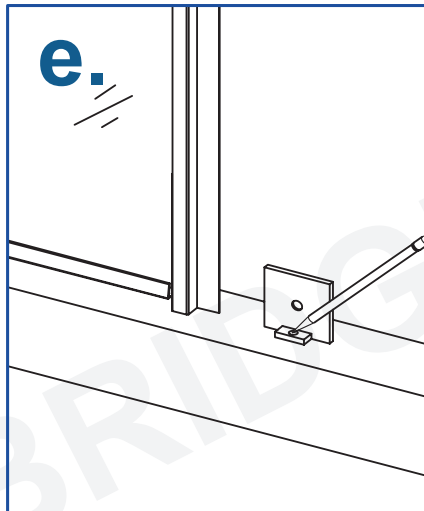
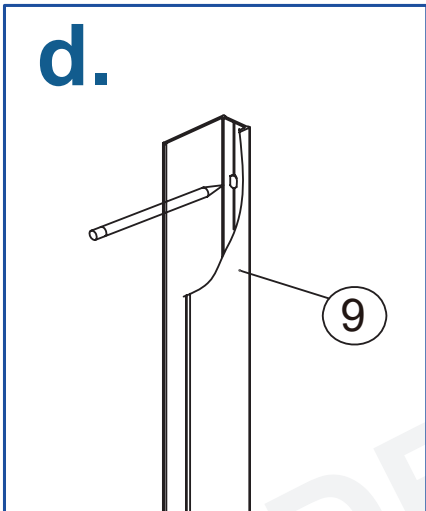
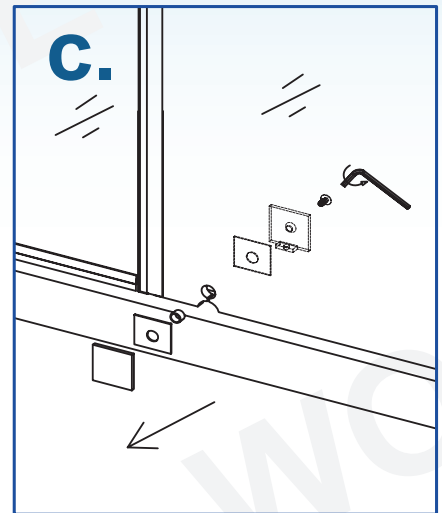
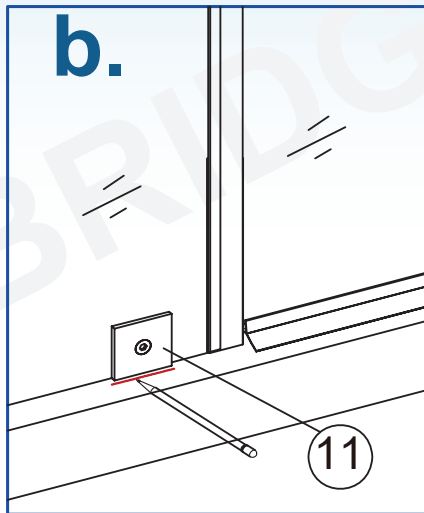
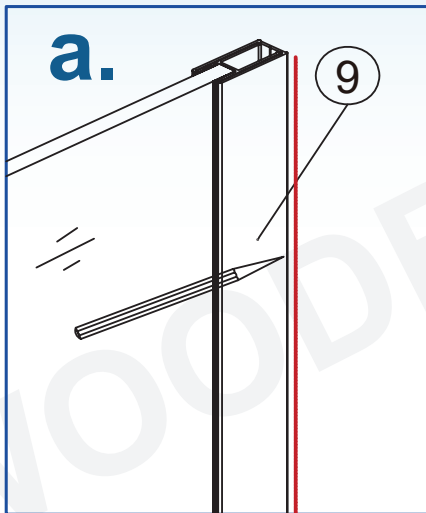


Figure 8



9. Draw a line along the Bottom Bracket (11) on shower base. Draw a line along the inner edge of the Wall Profile (9) on the wall. Now set aside the fixed glass. Place the Bottom Bracket on shower base, mark the drilling holes with a pen or marker. Now drill the holes using $\text{Ø}8\text{mm}(\text{Ø}=5/16\text{'})$ drill bit on the shower base. Detach the Wall profile from the Fixed Glass assembly. Place the Wall profile to the outlined position and mark the drilling holes through the predrilled holes in the Wall profile. Now drill the holes using $\text{Ø}8\text{mm}(\text{Ø}=5/16\text{'})$ drill bit in the wall.

See Fig. 9 for details.

Figure 9

WOODBIDGE®

10. Apply silicone into the holes on the wall, Insert the Wall anchors (15) into the holes. Apply silicone along the Wall profile (9) and around the holes. Fasten the Wall profile to the wall with the Round head Screw M4×60 (8).

See Fig. 10 for details.

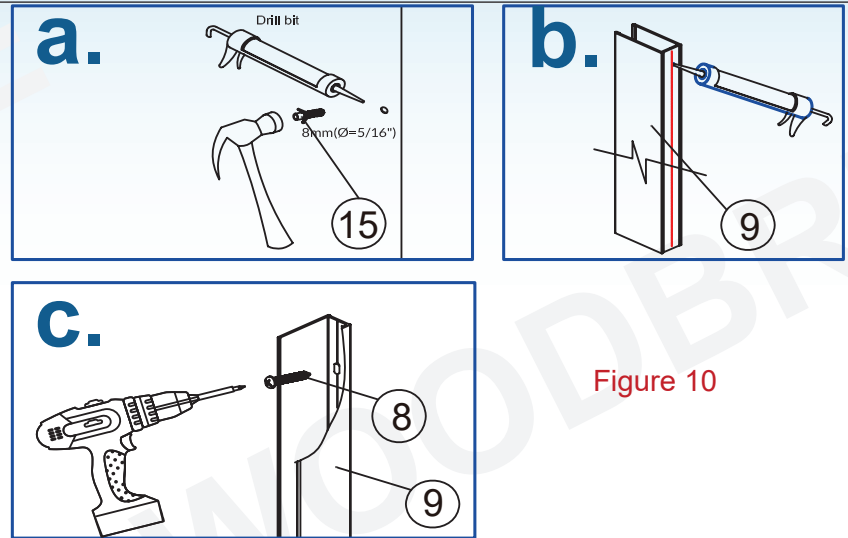


Figure 10

11. Fasten the Bottom Bracket to the shower base with Screw M4×30 (13). Push the Fixed Glass Assembly back into the Wall profile(9). Adjust the Fixed panel (10) position to ensure that when the Glass door (04) is closed, there is a gap (1/4") between the two glass panels. Secure the Fixed panel in place, install the Bottom Bracket (11) to the Fixed Panel.

See Fig. 11 for details.

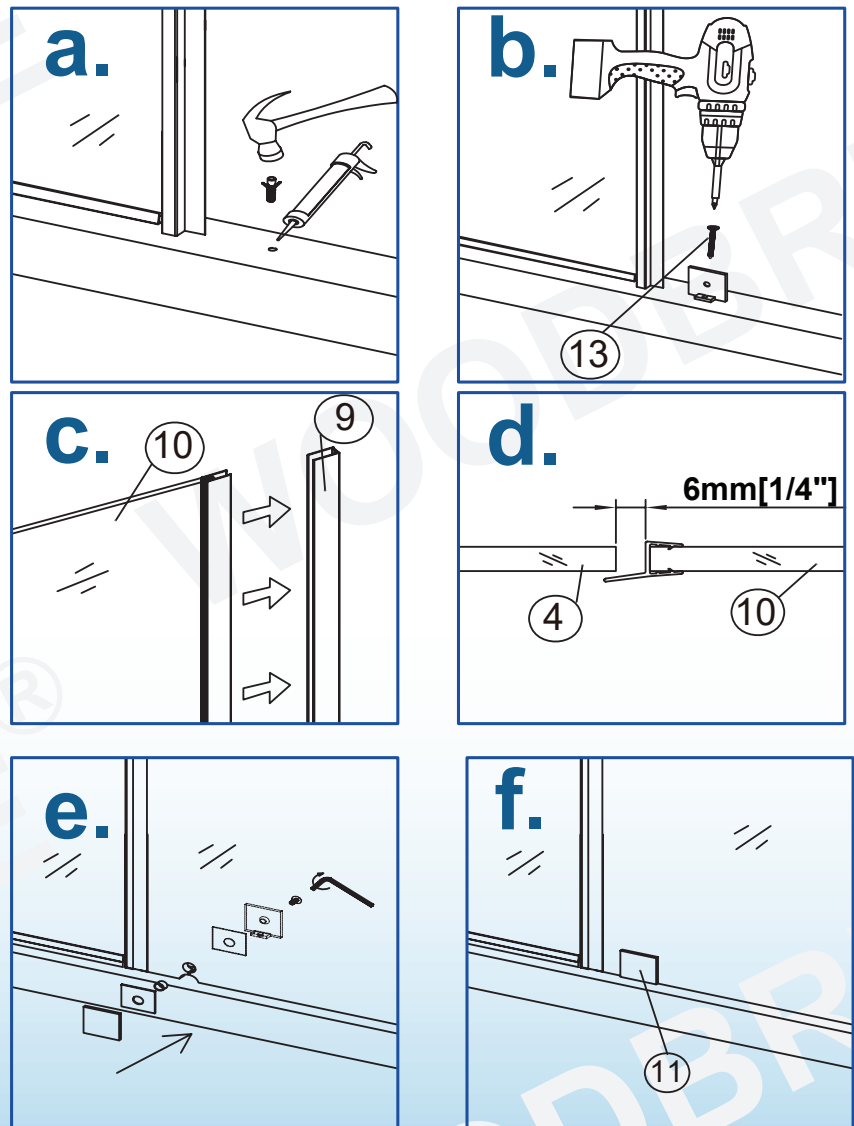


Figure 11

12. After final adjustments of the Assembled unit drill three holes in the Wall profiles (9) using Philip's type screwdriver only. NOTE: You only need to drill through the first layer of the Glass Profiles. Use the Round head screws Self tapping screw M3.5X13 (12) to secure the Glass profiles inside of the Wall profiles. Cover the exposed screw holes with Screw Cover (14).

See Fig. 12 for details.

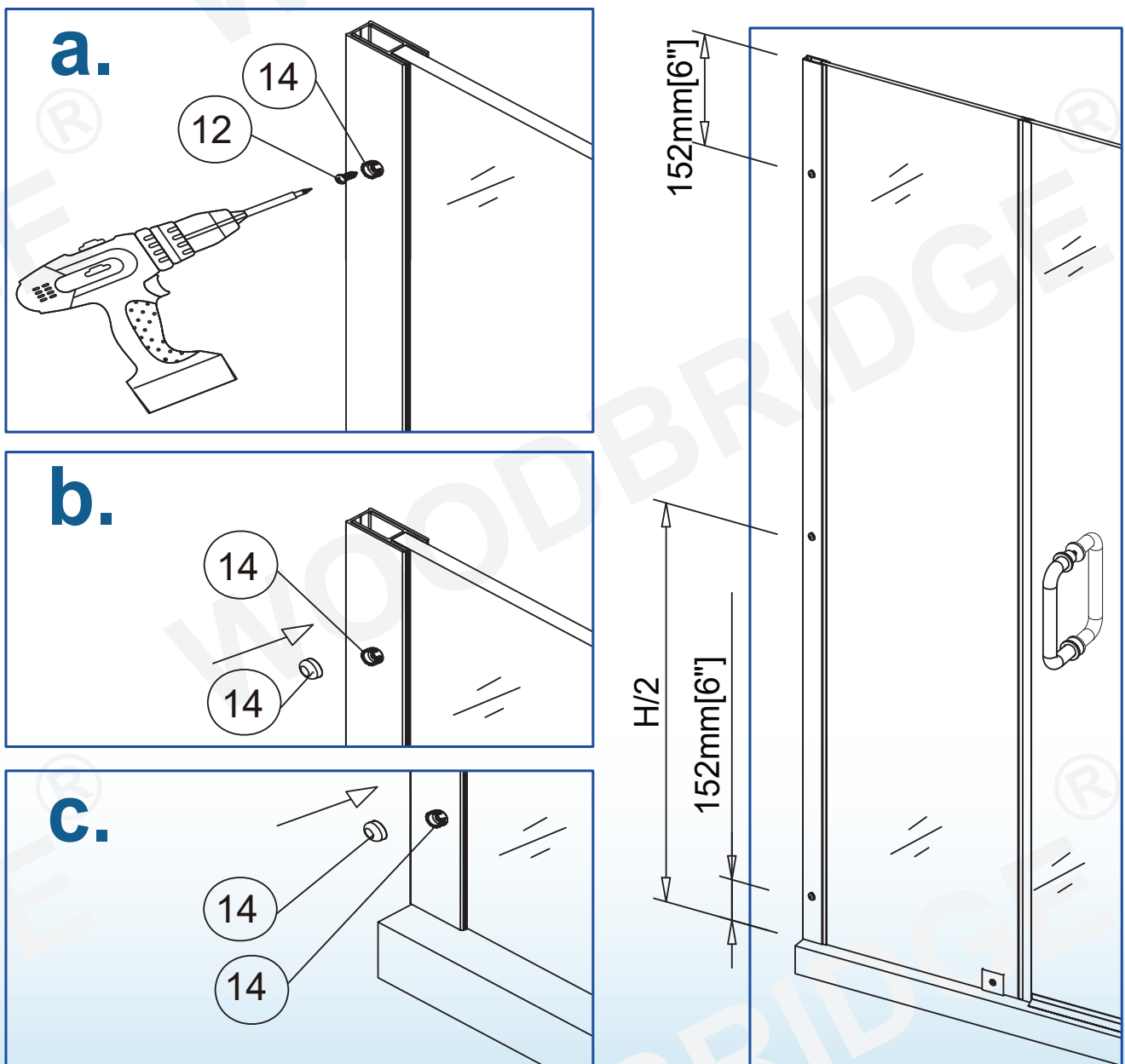


Figure 12

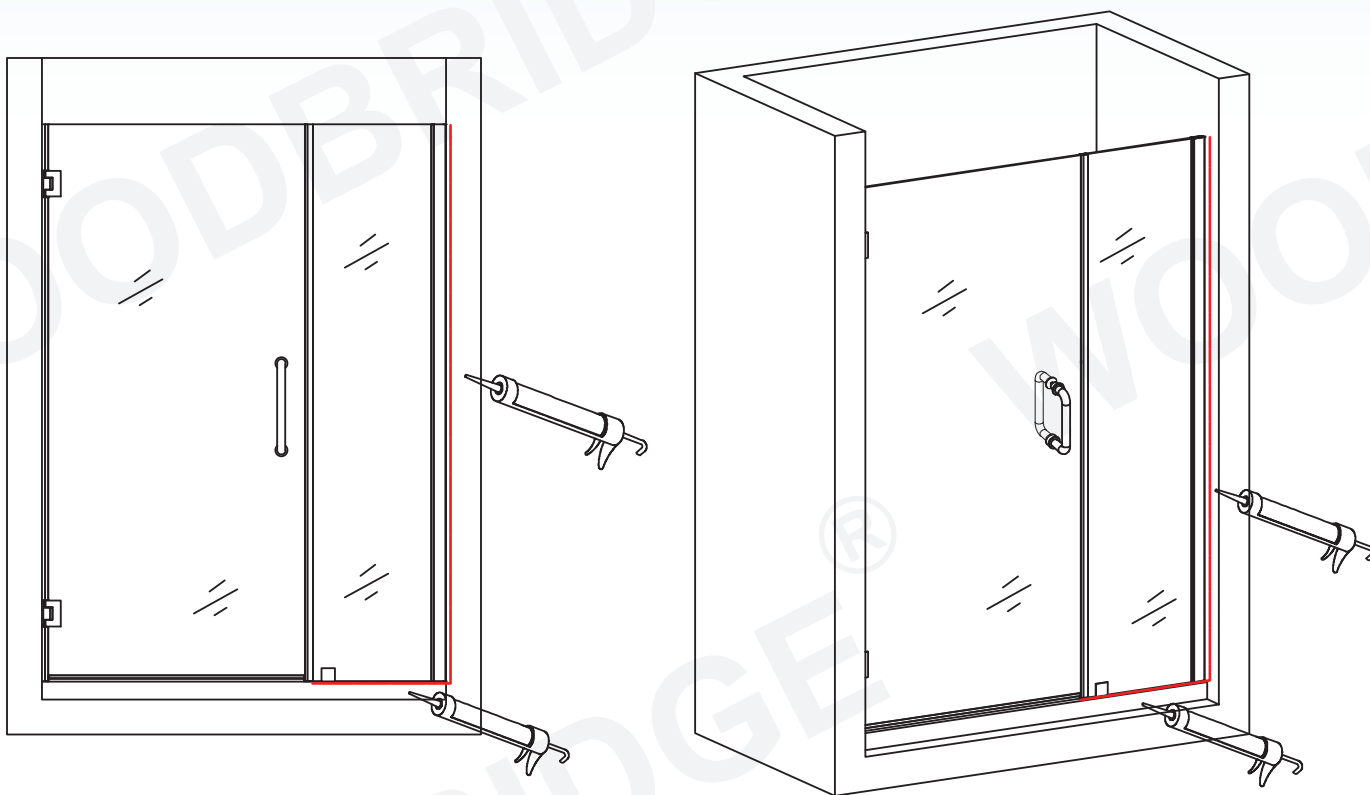


Figure 13

13. Apply silicone between Fixed Glass and the tray or threshold. Also apply silicone between wall and the wall profiles.

See Fig. 13 for details.

WAIT 24 HOURS BEFORE USING THE SHOWER ENCLOSURE

Woodbridge warrants its products as listed in below to be free of material and workmanship defect, subjected to the limitations set forth in this limited warranty.

- Bathtub, Whirlpool/Air Bubble Massage Tub, Cold Plunge, 1 Year limited to be free of defects in material and workmanship.
- Sauna room and Sauna Tent : 1 Year limited to be free of defects in material and workmanship.
- Toilet and Bidet : 1 Year limited to be free of defects in material and workmanship.
- Faucet : 1 Year limited to be free of defects in material and workmanship.
- Vanity and vanity top : 1 Year limited to be free of defects in material and workmanship.
- Granite, Marble, Engineered Quartz Vanity Top : 1 Year limited to be free of defects in material and workmanship.
- Medicine Cabinet, LED Mirror : 1 Year limited to be free of defects in material and workmanship.
- Sink : 1 Year limited to be free of defects in material and workmanship.
- Solid Surface Shower Wall Panel, Shower Base : 10 Years limited warranty to be free from material defects.
- Drain Cover and PVC Drain : 1 Year limited to be free of defects in material and workmanship.
- Shower Door : Lifetime warranty on glass components and 1 Year limited on other hardware.

This limited warranty is non-transferable and only applies to products purchased and installed in the United States and Canada.

This limited warranty excludes all industrial, commercial and business usage. Proof of purchase (original sales receipt) from the original purchaser, Description and pictures of defect, model number or model description must be provided to Woodbridge Bath for all warranty claims and Woodbridge Bath IS NOT responsible for labor cost, removal or installation costs.

This limited warranty shall not apply to goods which have been subject to accident, negligence, improper installation, product abuse, product misuse, or use of cleaners containing abrasives, alcohol or other organic solvents, whether performed by a contractor, service company, or yourself, are excluded from this warranty.

This warranty does not cover surface damaged caused by use of chemicals that break through or dissolve the surface finish or damage caused by the accidental dropping of sharp or heavy objects. Improper care and use of abrasive cleaners and will void the warranty.

During this limited warranty period if a malfunction occurs and after inspection it is determined that a defect developed during normal use, Woodbridge will as at its election proceed with any of the following options:

- (1) repair or replace the defective part(s) or product(s) at cost**
- (2) issue a refund of the original purchase price of the product(s) (Valid within 30 days from the date of purchase)**
- (3) issue a credit to be applied toward the purchase of a new product. Shipping/delivery charges may apply and are in sole discretion.**

Caution:

NEVER use cleaners containing abrasive cleaners, ammonia, bleach, acids, waxes, alcohol, solvents or other products that are not recommended for Chrome finish will void the warranty.

Woodbridge products should be installed by a fully insured and licensed contractor only. Installation by anyone other than fully insured and licensed contractor will void this limited warranty.

RESPONSIBILITIES OF OTHERS

Inspecting the unit prior to installation is the responsibility of the installer or building contractor who acts on behalf of the user. They are responsible for ensuring the unit is free of defect or damage. Notices are placed on the unit and on the shipping carton advising the installer of this responsibility. In the event of a problem, the unit must not be installed. Woodbridge is not responsible for failures or damage that could have been discovered, repaired, or avoided by proper inspection and testing prior to installation.

Damage occurring in transit is the responsibility of the carrier. The user or installer MUST open the crate and inspect the unit for damage when it is delivered. If damage is discovered, it must be reported immediately to the seller and the carrier in writing, and an inspection requested. Failure of the carrier to respond should be reported to the seller and the carrier. Your freight claims should be filed promptly thereafter.

This limited warranty does not cover any liability for consequential or incidental damages, all of which are hereby expressly disclaimed, or the extension beyond the duration of this limited warranty of any implied limited warranties, including those of merchant ability or fitness for an intended purpose.

DISCLAIMER

Except as expressly provided, there shall be no warranty or obligation, express or implied, oral or statutory. No dealer or other person has the authority to make any warranties or representations concerning or its products. In no event shall be held responsible for any such warranties or representations.

Some states/provinces do not allow limitations on how long an implied warranty lasts, or the exclusion on limitation of special, incidental or consequential damages, so these limitations and exclusions may not apply to you. This warranty gives you specific legal rights, you may also have other rights which vary from state/province to state/province.

To obtain warranty and replacement parts, please send e-mail to help@woodbridgebath.com with the original receipt information, Woodbridge will determine whether to repair or replace your product, issue a refund or issue a credit.

IMPORTANT!

DO NOT USE: Abrasive cleaners such as: acid, ammonia, bleach, and similar solutions. Use of such solutions may cause corrosion, finish peeling, and/or dull the surface.

DO NOT USE: Abrasive sponges or cloth. Never use steel, wool, or wired brushes that will permanently scratch the

Retain these installation instructions for future reference!

Thank you for using WOODBRIDGE products!

WOODBRIDGE[®]

California (Norwalk) Distribution Center
15600 Blackburn Ave, Norwalk, CA 90650

New Jersey (Somerset) Distribution Center
635 Pierce St, Somerset, NJ 08873

Florida (Orlando) Distribution Center
13645 S Orange Ave, Orlando, FL 32824

Canada (Ontario) Distribution Center
615 Orwell Street, Unit B, Mississauga, ON L5A2W4, Canada



Please don't hesitate to contact us if you have any questions or concerns.

Customer Service Phone: 562-229-0088. (Monday - Friday 9 AM - 5 PM Pacific Time)

Or Email: help@woodbridgebath.com