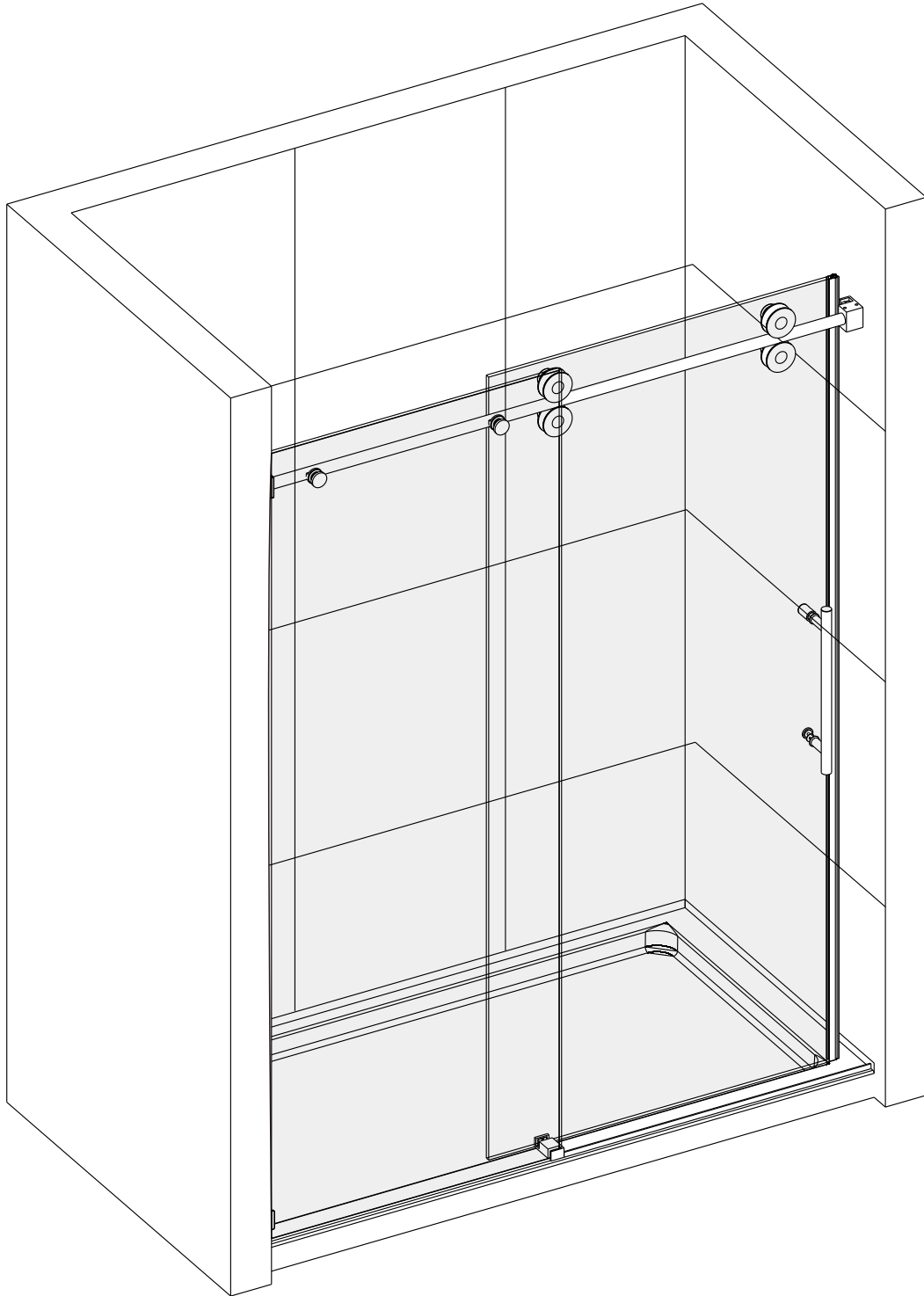


---

# INSTRUCTION MANUAL



**2 PEOPLE REQUIRED**

---

---

***Please keep this manual and product code number for future reference  
and for ordering replacement parts if necessary.***

---

## **GENERAL INSTRUCTIONS**

- Read this manual carefully and completely before proceeding.
- It is recommended that you wear safety glasses at all times during the installation.

## **INSTALLATION OVER CERAMIC TILES**

- If your shower door is to be installed over ceramic tiles, the tiles should lay completely under the wall jamb.
- Silicone should be used to seal the gap where the ceramic tiles meet the fixed panel.

## **NOTICE**

- Caulking: no sealant is required inside the shower, unless otherwise stated.
- Some models are equipped with clear sealing gaskets.

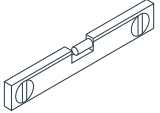
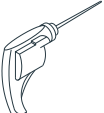


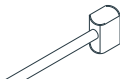

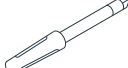

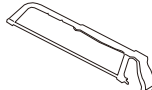

## **CARE FOR YOUR SHOWER DOOR**

- Never use scouring powder pads or sharp instruments on metal pieces or glass panels.

An occasional wiping down with a mild soap diluted in water is all that is needed to keep the panels and metal parts looking new.

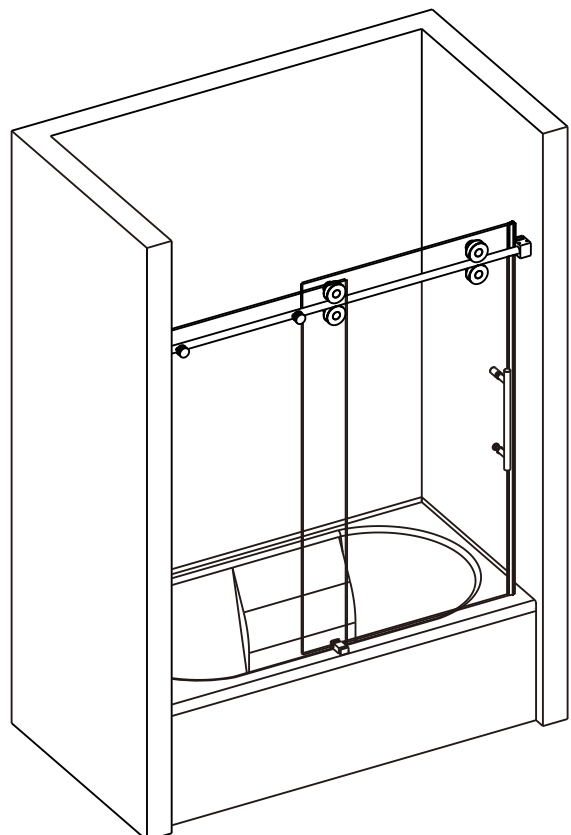
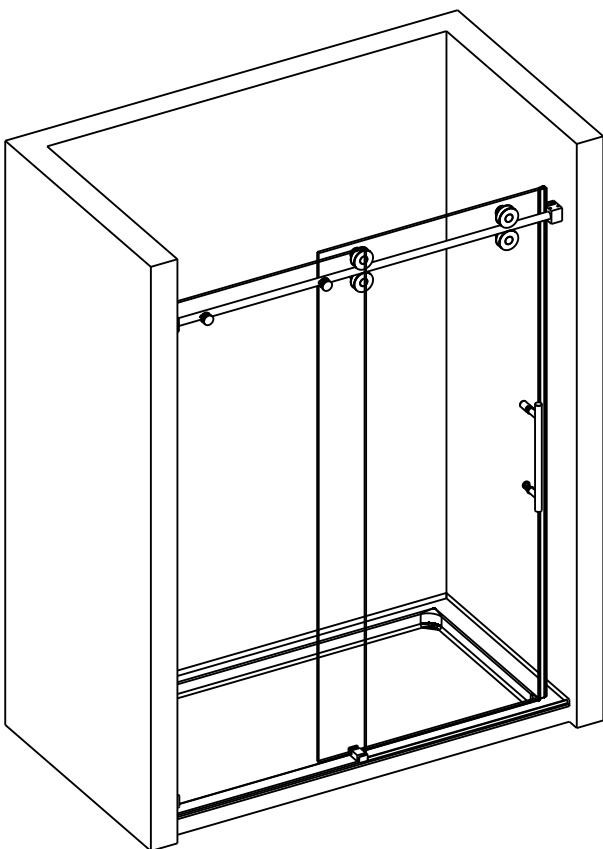
- We recommend wiping the glass panels with a squeegee after each use.

## TOOLS REQUIRED

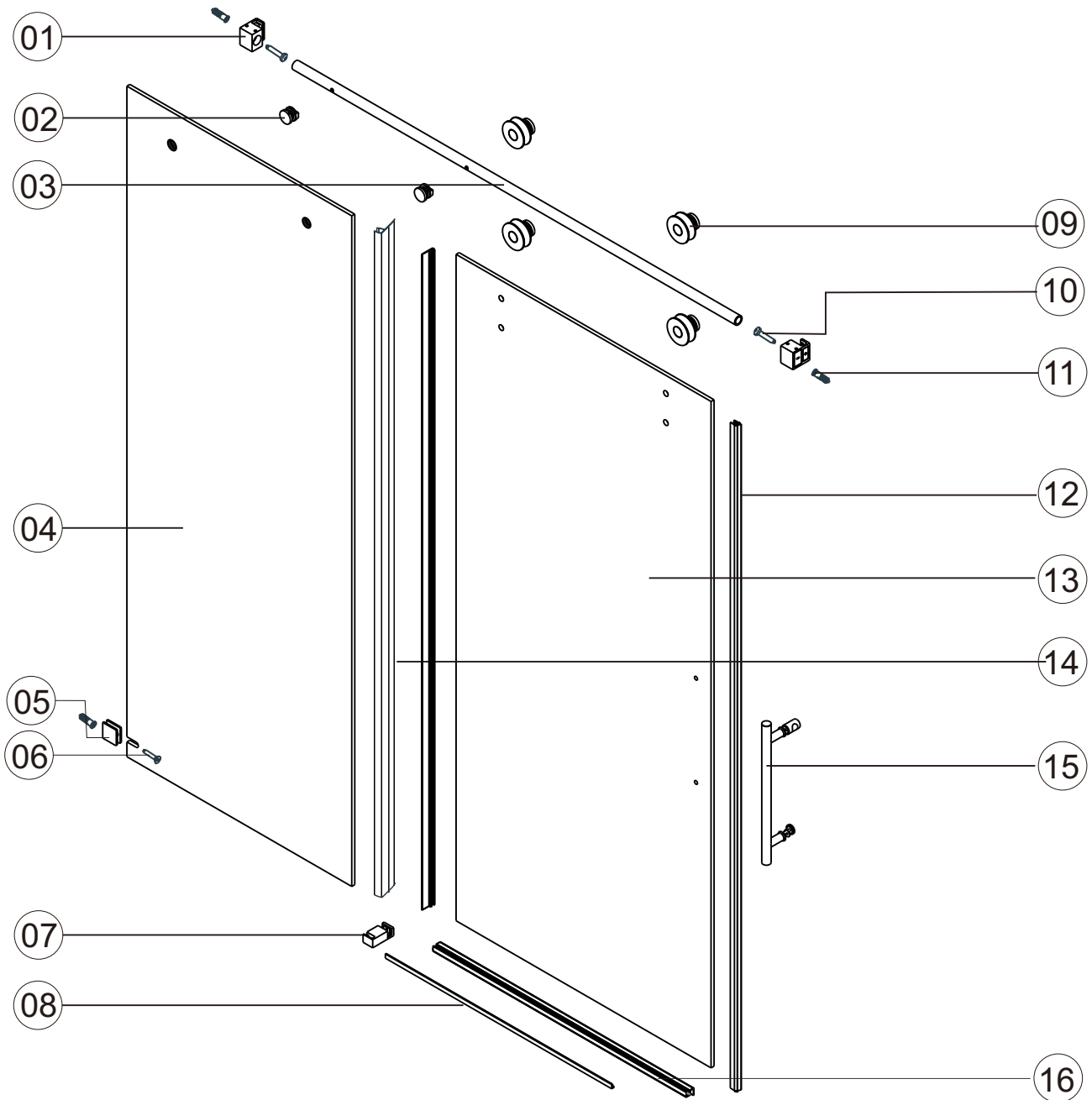
 SPIRIT LEVEL	 POWER DRILL	 PENCIL	 SILICONE	 MALLET
 TAPE MEASURE	 SCREW DRIVER	 6mm&8mm(1/4" & 5/16") DRILL BITS	 HACKSAW	 SAFETY GLASSES






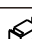


\* Use a 6mm(1/4") drill bit for ceramic when drilling into ceramic tiles









## CHOOSE A CONFIGURATION



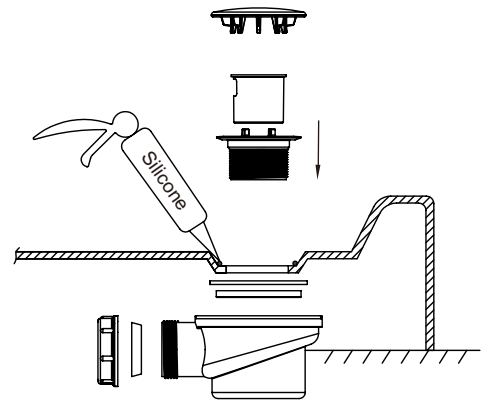
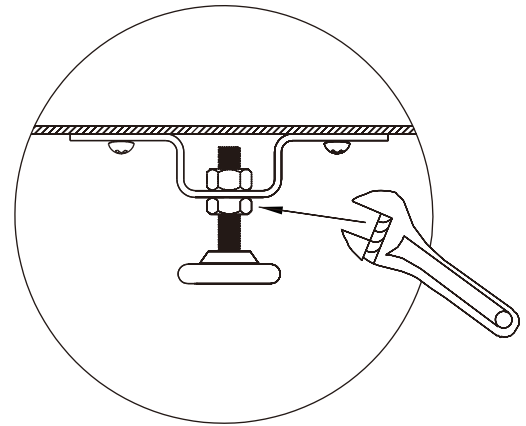
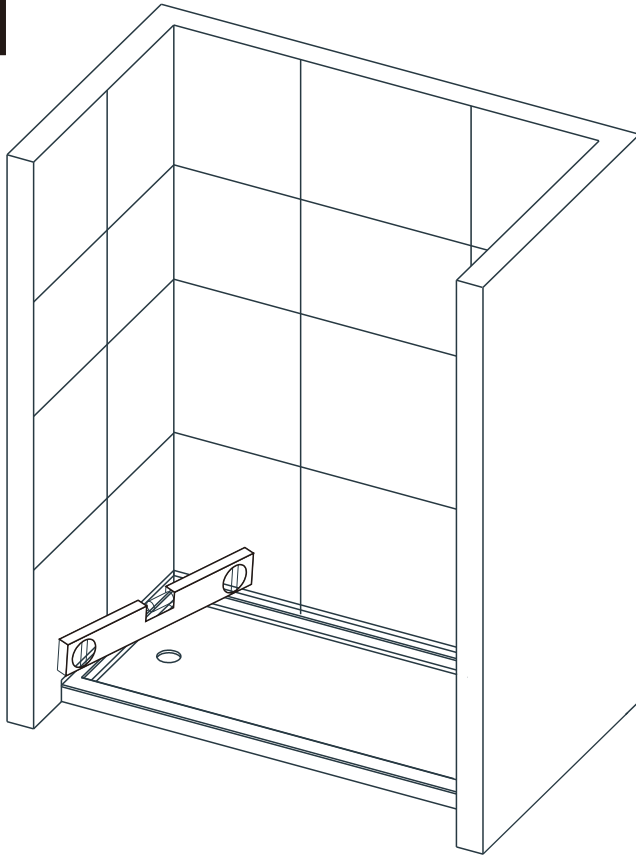
# PARTS LISTING



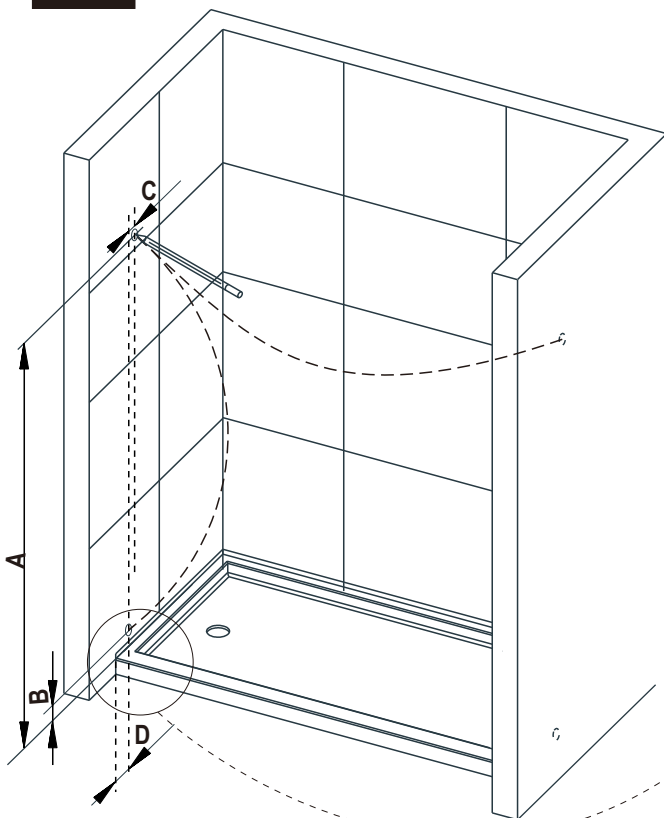
ITEM	PARTS	DIAGRAM	QTY
1	Guide rail bracket		2
2	Track holder for fixed panel		2
3	Rail		1
4	Fixed panel		1
5	Wall mount bracket		1
6	Screw St4x30		1
7	Floor guide		1
8	Anti-splash threshold		1

ITEM	PARTS	DIAGRAM	QTY
9	Ø70 Roller		4
10	Screw St5x40		2
11	Wall plugs		3
12	Door seal		1
13	Sliding door		1
14	Handle		1
15	Fixed panel seal		2
16	Door seal		1

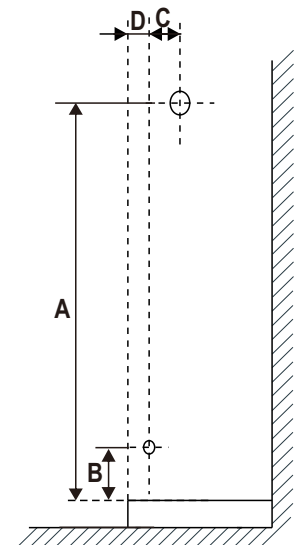
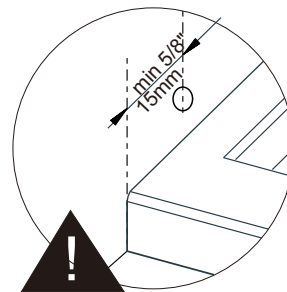
# 1



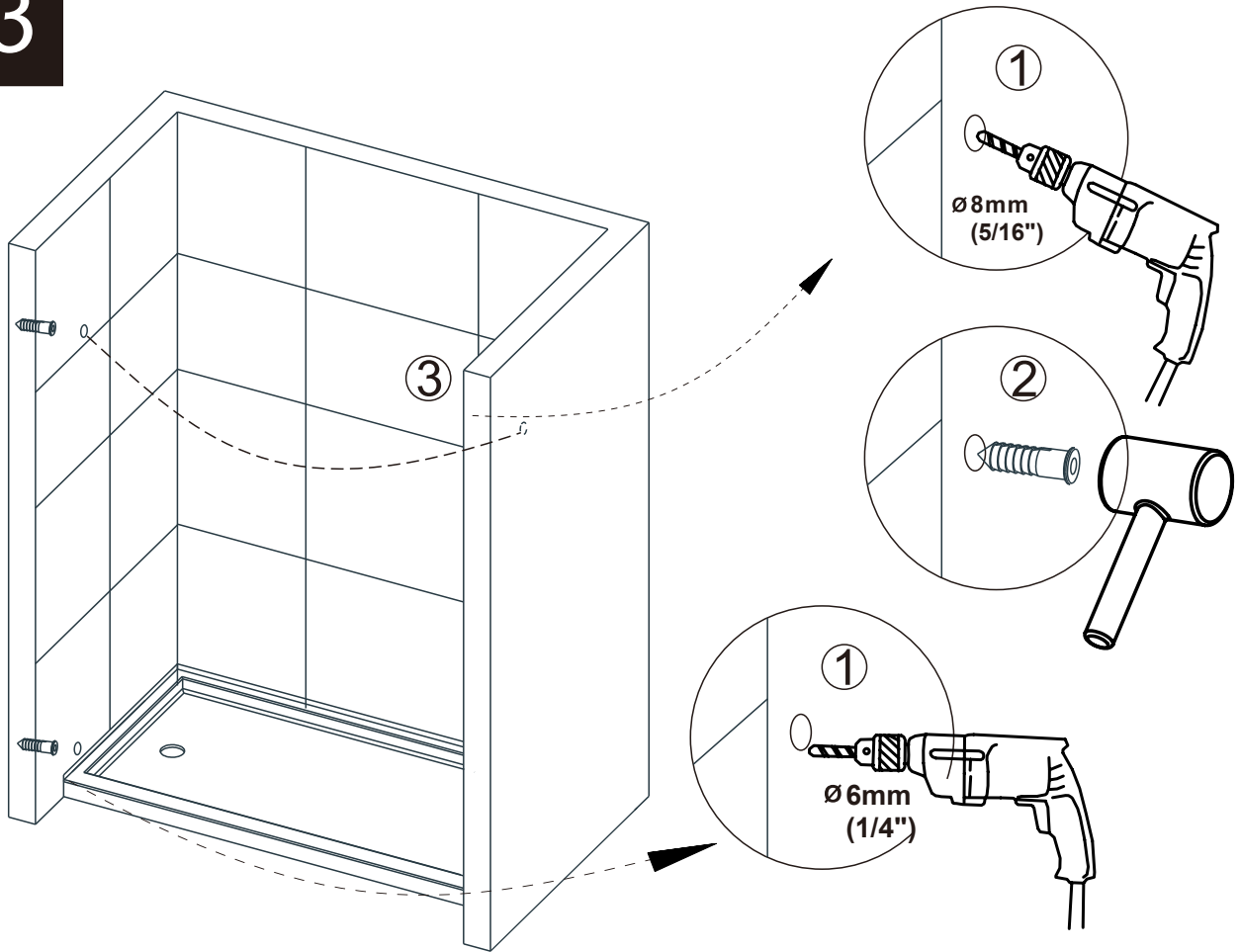
# 2



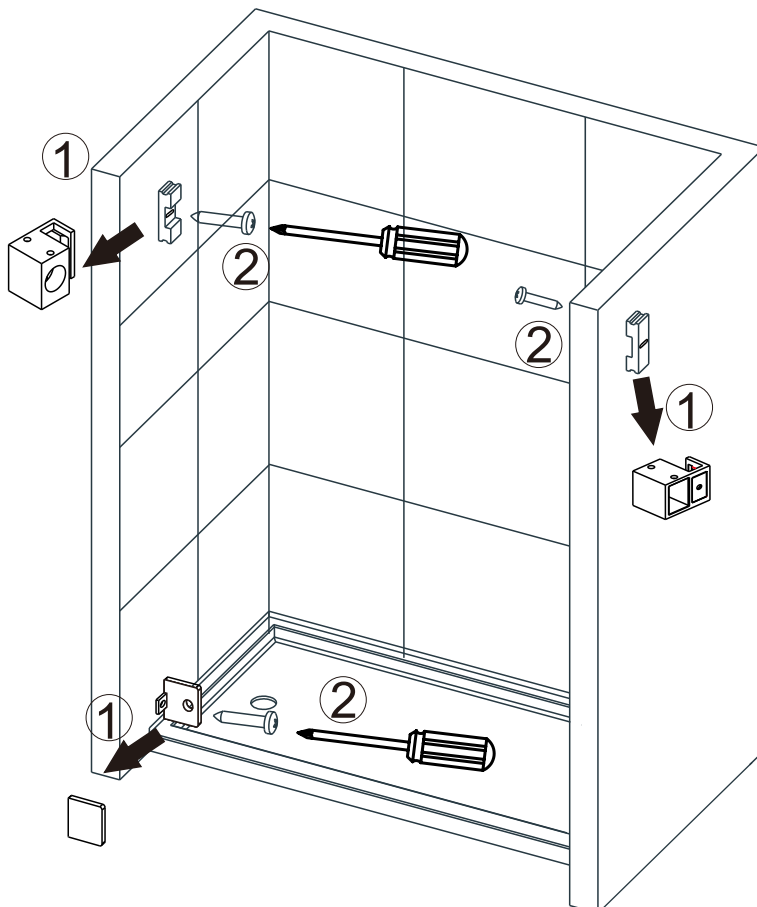
Product Height	A	B	C	D
60"(1524mm)	56 4/5"(1443mm)	3 15/16" (100mm)	1" (25.4mm)	min 5/8" (15mm)
66"(1676mm)	62 4/5"(1595mm)			
72"(1828mm)	68 4/5"(1747mm)			
75"(1905mm)	71 4/5"(1824mm)			
76"(1930mm)	72 4/5"(1849mm)			
78"(1981mm)	74 4/5"(1900mm)			
79"(2006mm)	75 4/5"(1925mm)			



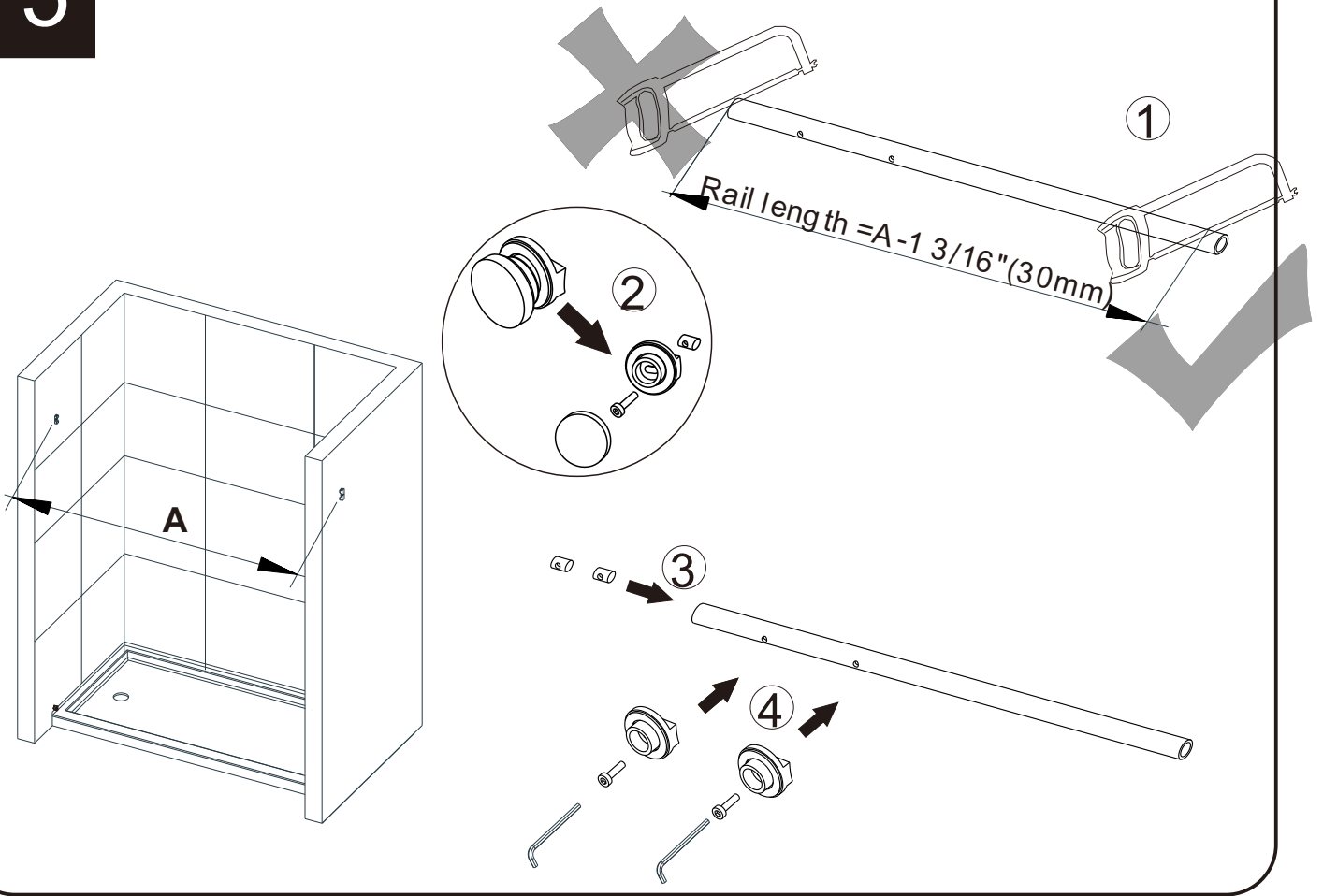
3



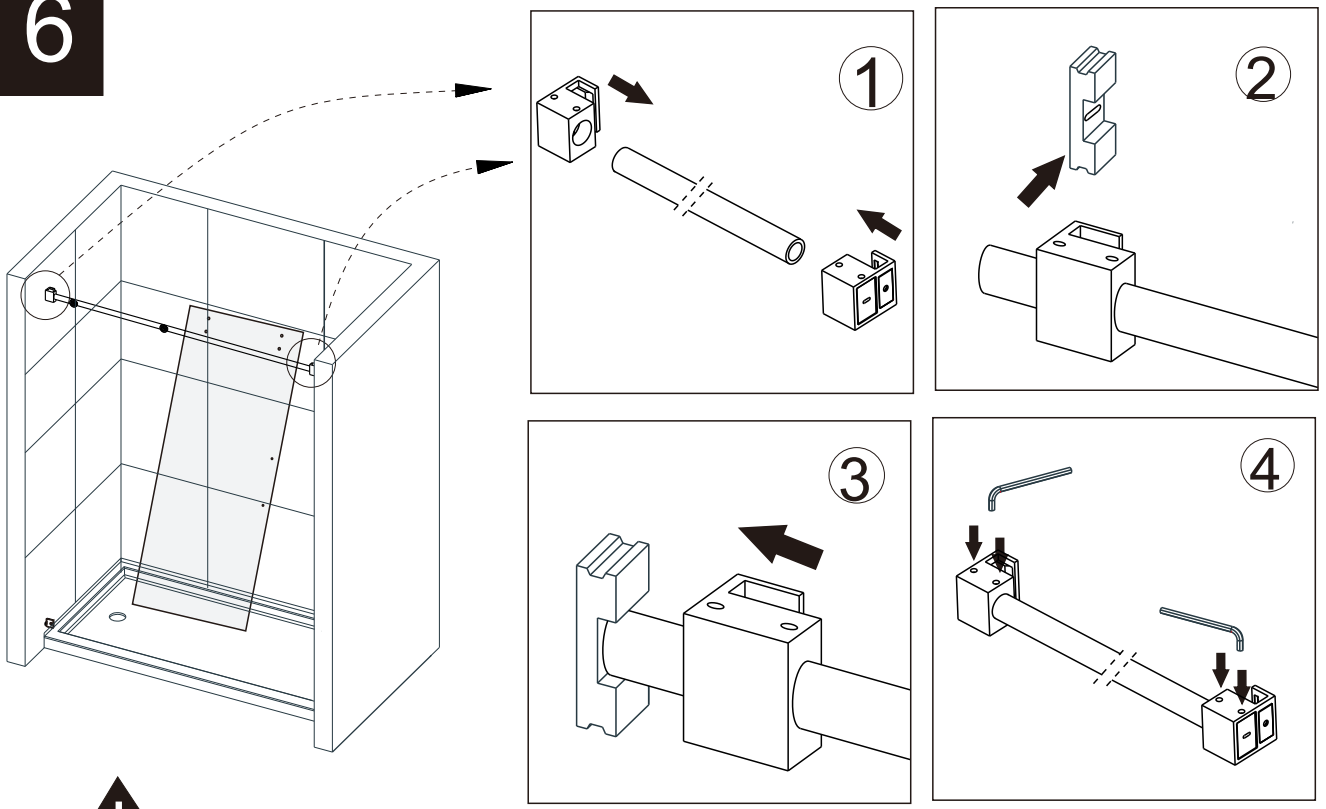
4



5



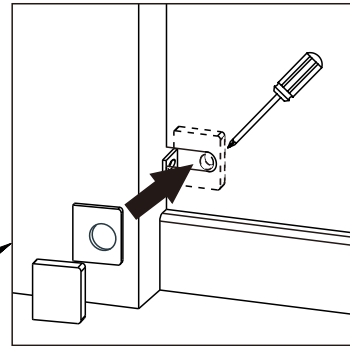
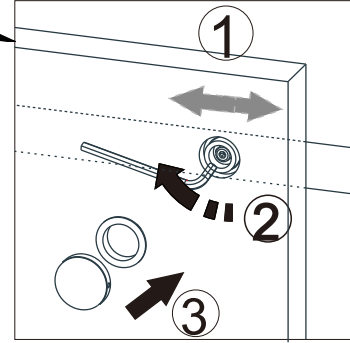
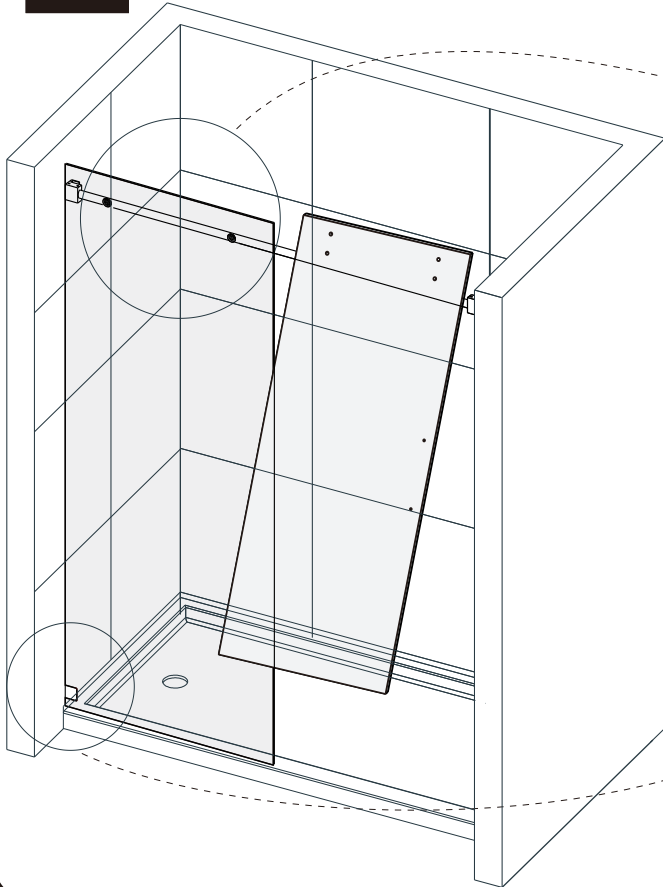
6



**!** Please put the door panel inside the shower base prior to the top rail installation !

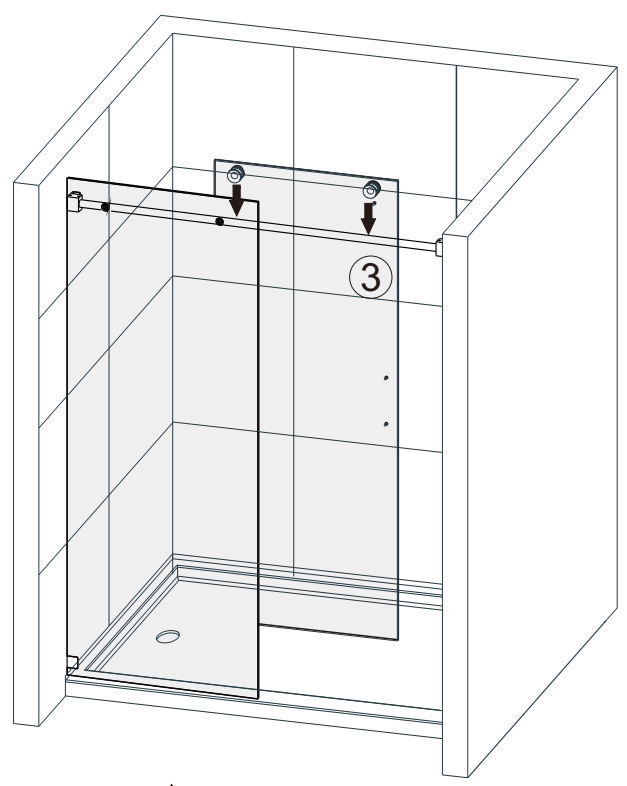
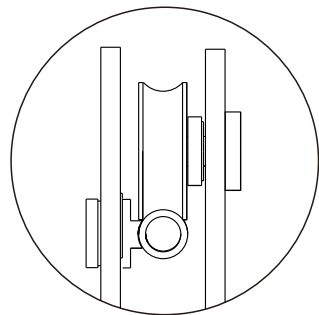
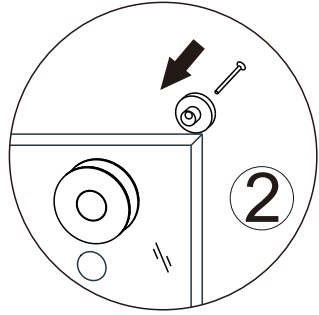
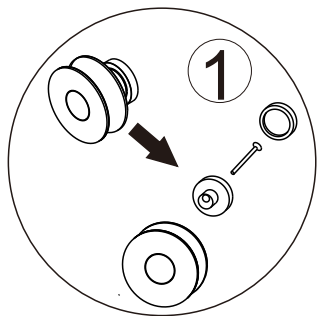
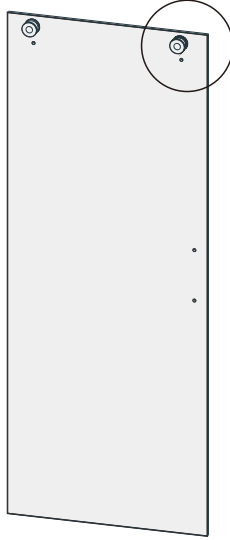
7

**!**  
The glass side that treated with easy-cleaning should toward inside



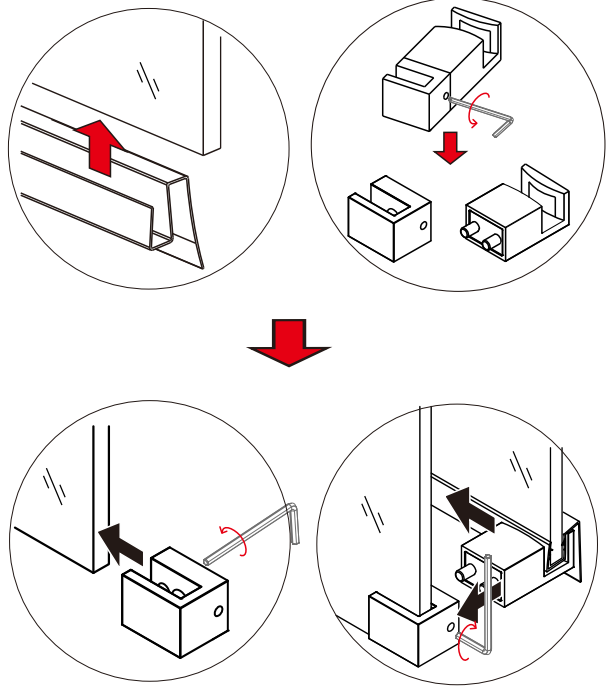
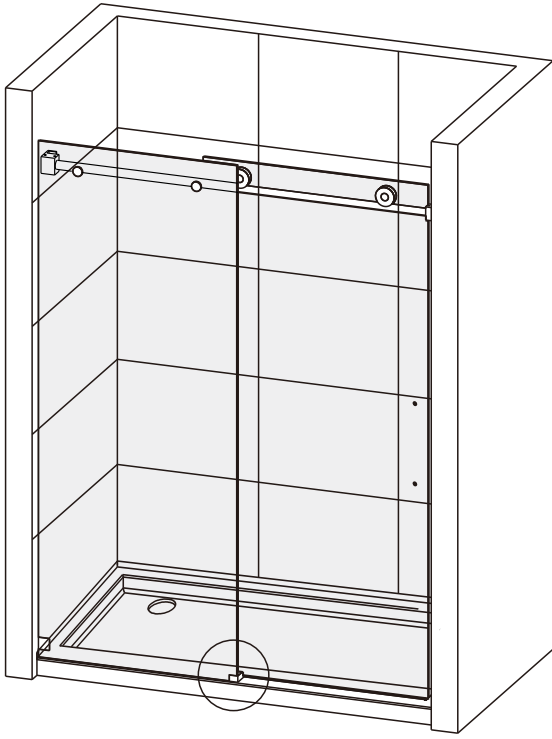
8

**!**  
The glass side that treated with easy-cleaning should toward inside

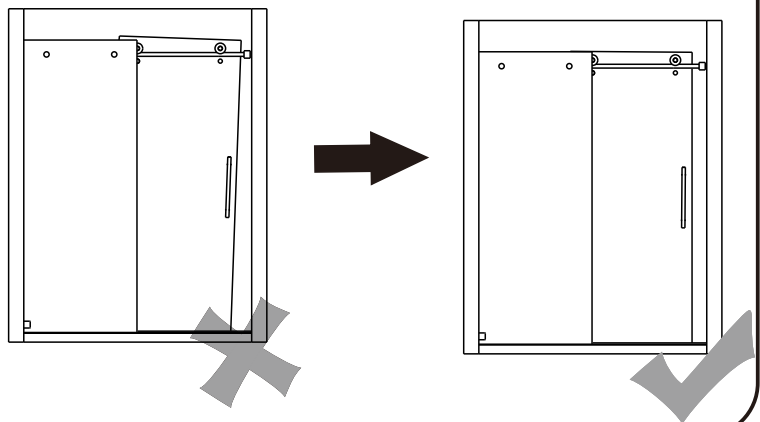
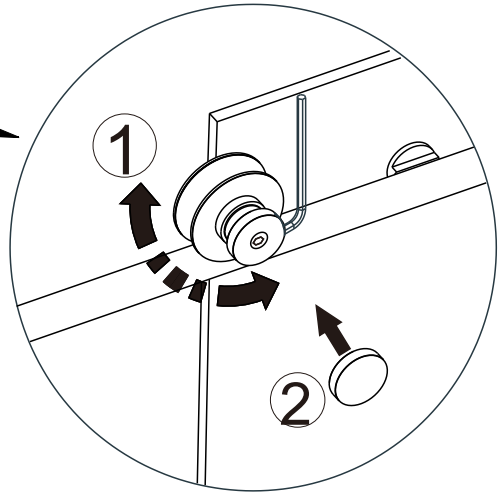
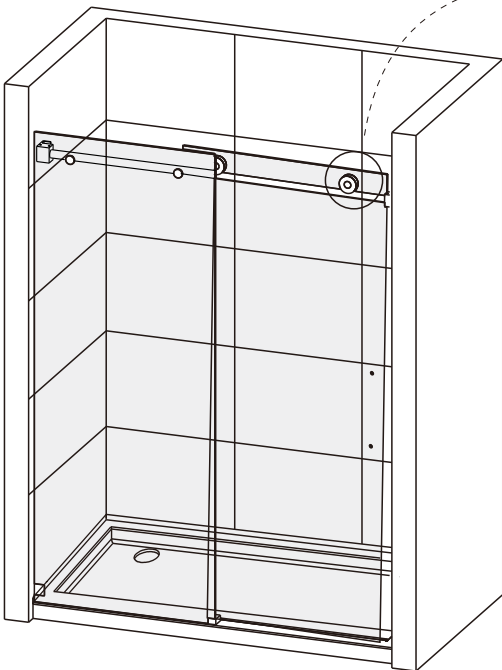




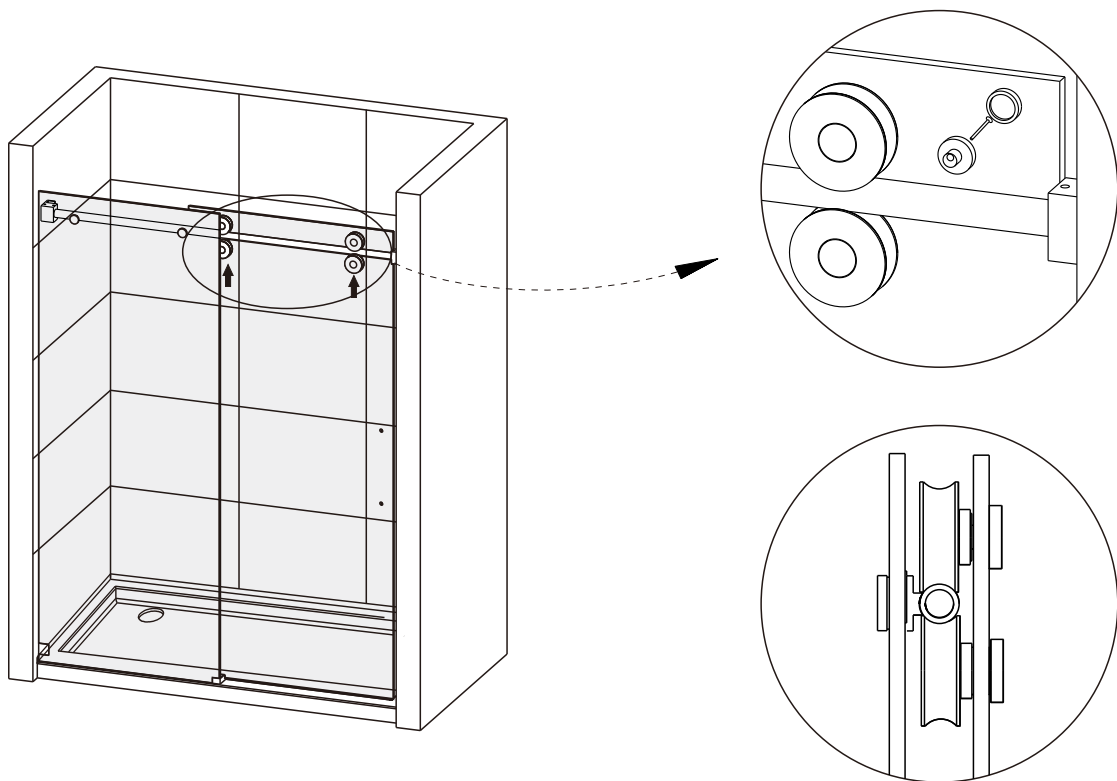
9



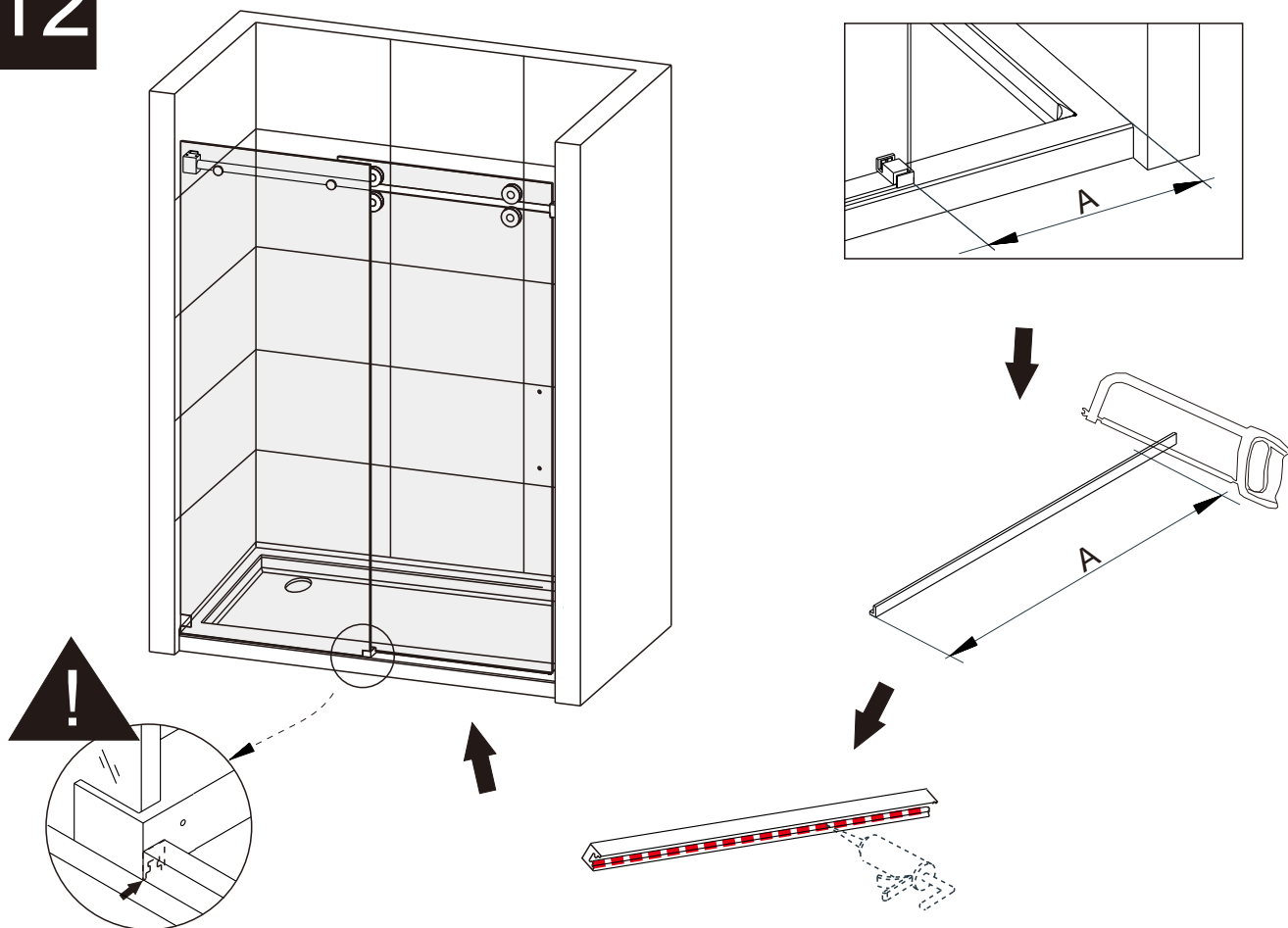
10



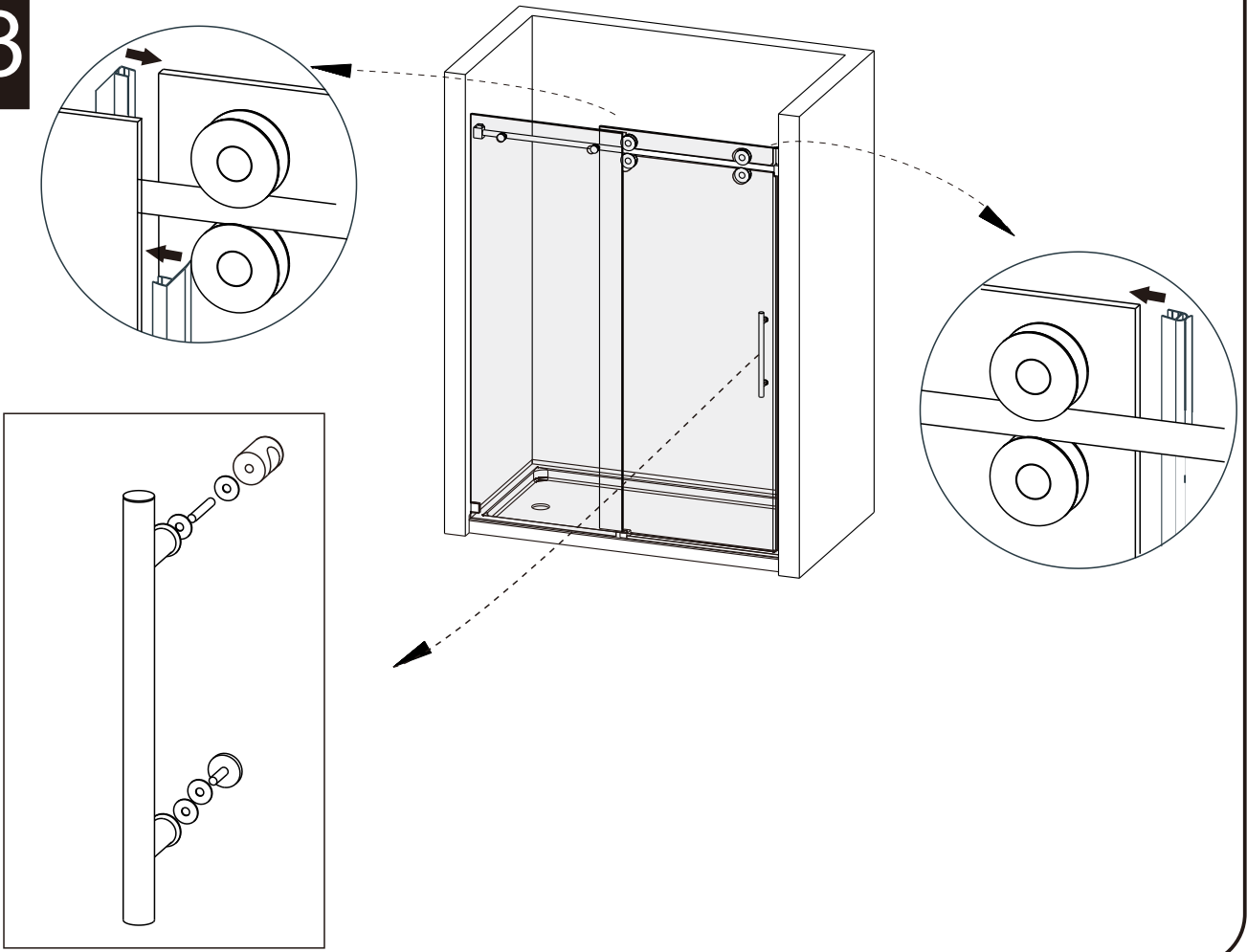
11



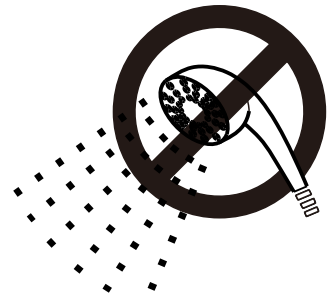
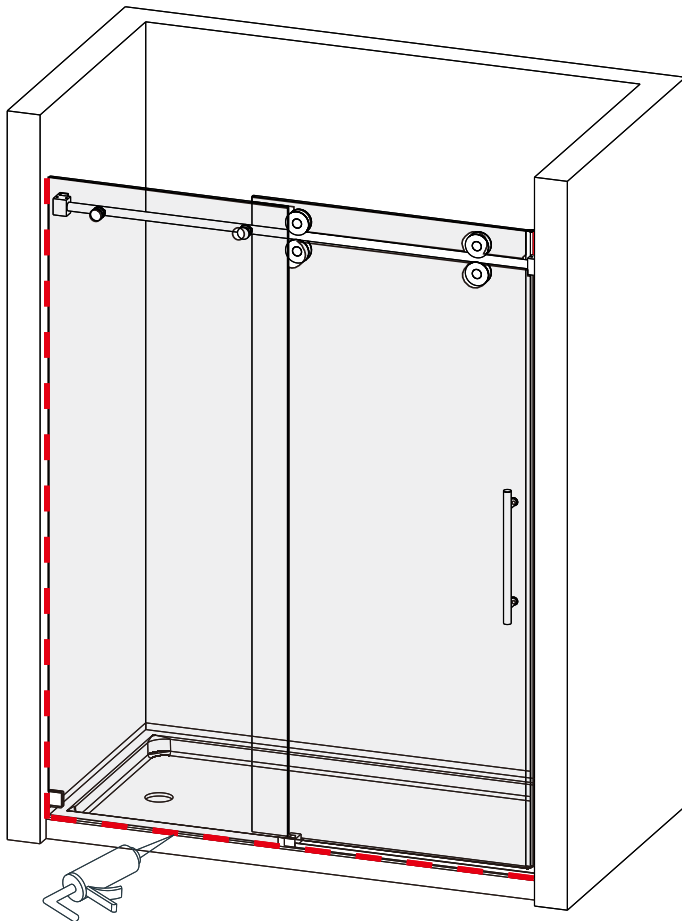
12



13



14



**24** HOURS