

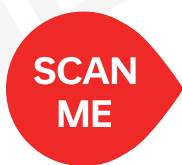
INSTALLATION MANUAL

WOODBIDGE® Composite Shower Wall Kits and Bathtub



AWP-6032-CW64
TB-6032-L/TB-6032-R

BWP-6032-MW64
TB-6032-L/TB-6032-R



To Activate
Warranty



READ ALL INSTRUCTIONS BEFORE UNPACKING THE PRODUCT

INSTRUCTIONS THAT, IF IGNORED COULD RESULT IN DEATH OR SERIOUS INJURY CAUSED BY INCORRECT HANDLING OR INSTALLATION OF THE PRODUCT. THESE INSTRUCTIONS MUST BE OBSERVED FOR SAFE INSTALLATION.

HEAVY!



**TEAM LIFTING
REQUIRED**

A TEAM IS REQUIRED TO LIFT AND COMPLETE THE INSTALLATION OF THIS PRODUCT.

Please Call Customer Support: 562-229-0088. (Monday - Friday 9 AM - 5 PM Pacific Time)

Or Email: help@woodbridgebath.com

1. PRODUCT COMPONENTS & PACKAGE OPTIONS

IMPORTANT - PLEASE READ FIRST

The wall kit and bathtub can be sold separately or as a complete combo set. Please check your purchase order or product label to confirm which items are included.



Included Components: 4 × Wall Panels				+1 × Installation Manual	
A. Wall Kit Model: AWP-6032-CW64 / BWP-6032-MW64	Part	Width	Height		
	①	Upper back wall	60"(1524mm)	39-1/4"(996mm)	
	②	Lower back wall	60"(1524mm)	25-1/4"(643mm)	
	③	Left side wall	32-1/4"(819mm)	63-7/8"(1621mm)	
	④	Right side wall	32-1/4"(819mm)	63-7/8"(1621mm)	

Included Components: 1 × Bathtub (Left or Right Side Drain)				+1 × Installation Manual
B. Bathtub Kit Model: TB-6032-L / TB-6032-R	Part	Length	Width	
	⑤	Bathtub (Left or Right Side Drain)	60"(1524mm)	32"(813mm)

Includes all components from both the Wall Kit and Bathtub Kit.	
C. Combo Set	Model 1: AWP-6032-CW64 + TB-6032-L/R
	Model 2: BWP-6032-MW64 + TB-6032-L/R

2. TOOLS REQUIRED



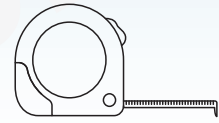
Level



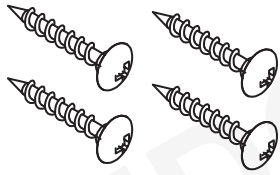
Pencil



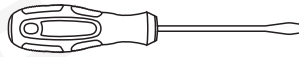
Square



Tape measure



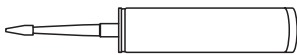
Screws M5*12



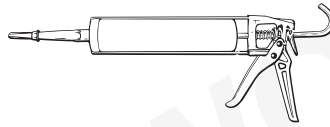
Screw Driver



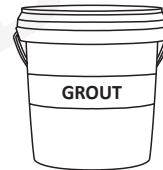
Personal Safety Equipment



100% clear silicone sealant



Caulking gun



Mortar Mix or Grout

3. BEFORE INSTALLATION AND USE

Please read this manual carefully before unpacking or installing the product.

- Inspect all components for any shipping damage or missing parts.
- Do not install or use the product if any part is damaged or missing. Contact WOODBRIDGE® Customer Service immediately.
- Keep the product and packaging out of reach of children.
- Keep panels at room temperature before installation for best interlock and fastener performance.
- If using a non WOODBRIDGE® tub with different rim geometry, adjust locating edges as needed to ensure full seating.
- Always protect finished surfaces during drilling and fastening.
- Before you begin, perform a full dry fit of the bathtub and all wall panels to confirm interlock engagement, front-edge alignment with the tub deck, and proper installation clearance.

4. WALL SURFACE PREPARATION

The wall panel includes a protruding niche on the back side. Due to the shallow wall-contact thickness of the niche, installation does not require stud framing or cutting/opening on the wall. The panel can be directly mounted to the wall using screws and adhesive backing. Please ensure the wall surface is flat, clean, and structurally sound before installation.

5. INSTALLING THE BATHTUB

1. Bathtub Design Features



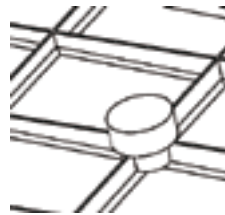
The bathtub edge has seven grooves that interlock with the wall panel's lower protrusions, securing the panel in place and preventing movement in any direction.



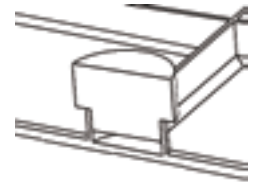
Installed view



These 5 round holes are designed to facilitate some customers who wish to raise the bathtub. Insert cylinders of matching diameter into these round holes to serve as support feet for the bathtub. The accessories are customized by the customer themselves.



Installation effect diagram



Cross-sectional installation effect diagram

2. Installation Steps

Step 1 - Prepare the Area

Ensure the subfloor is solid, clean, and level. Confirm that the drain hole and rough plumbing align with the bathtub specifications.

Step 2 - Dry Fit and Alignment

Place the bathtub in position to check the fit and alignment with the wall framing. Verify that the front edge aligns with the planned wall panel position.



Step 3 - Set and Level the Bathtub

Carefully lower the bathtub into the installation area and check level both front-to-back and side-to-side. If the subfloor is uneven, set the basin area into a 1-2 in (25-51 mm) mortar bed or place shims beneath the factory support feet so all supports bear evenly.

Once level, connect the tub drain to the waste line and place a protective liner inside the bathtub to prevent damage during wall installation.

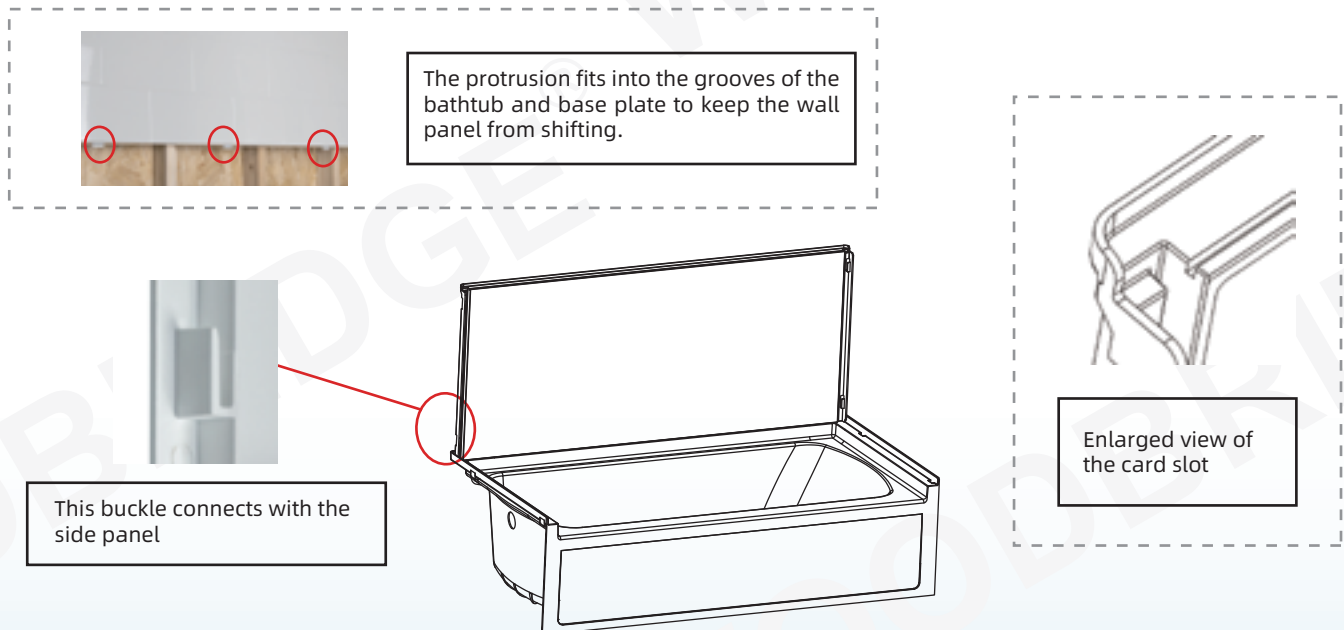
Step 4 - Drain & Overflow (Not Provided)

Install the drain and overflow assembly according to the manufacturer's instructions. Test for leaks before continuing with wall panel installation.

6. INSTALL THE WALL PANELS

1. Lower Back Panel

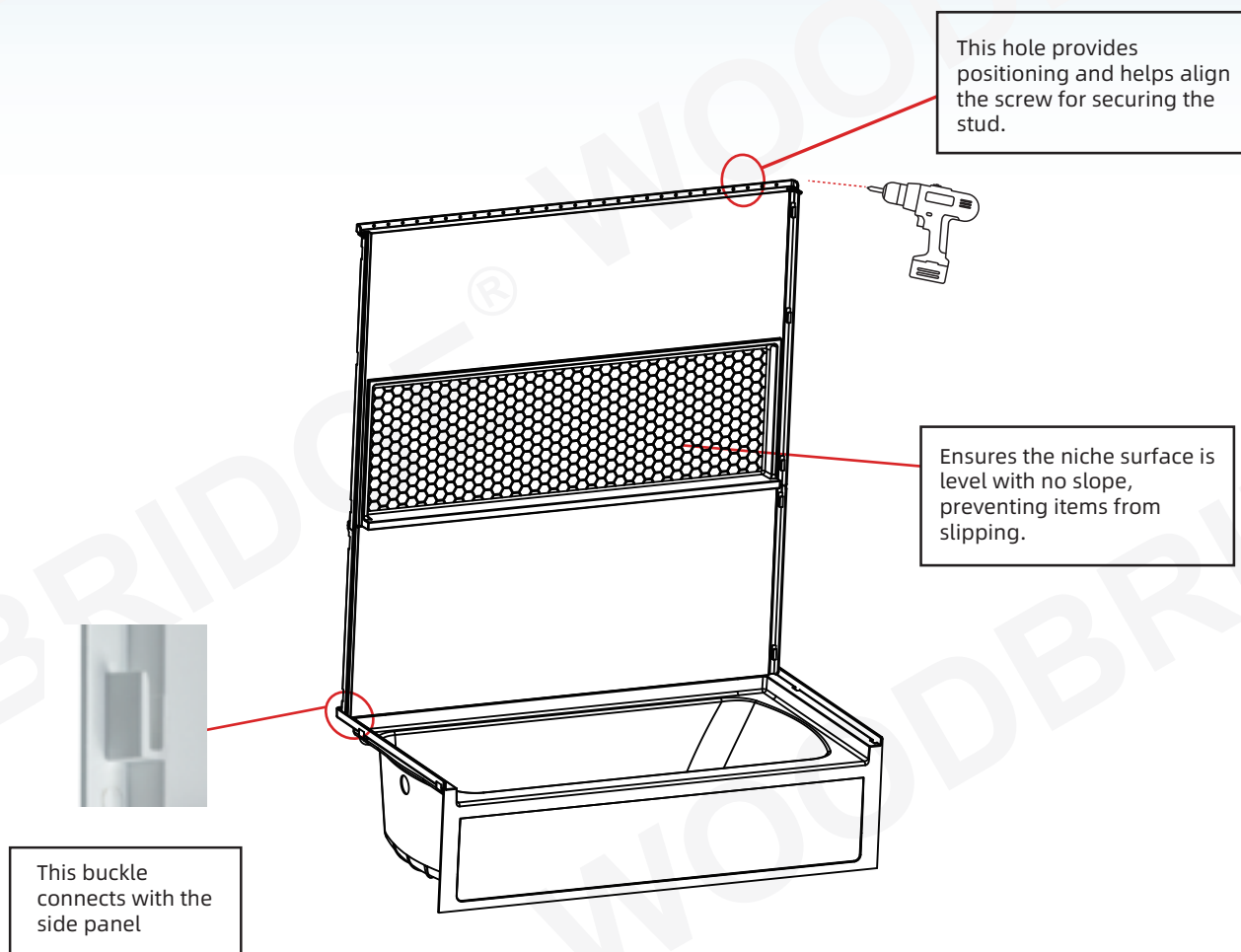
The back panel is divided into upper and lower sections for easier transport and installation. The card slot connects the two parts, forming a tight, waterproof joint.



Begin with the lower back panel, seating it on the rear tub deck or locating edge. Plumb the panel and, if necessary, place shims behind the flanges to keep the face straight.

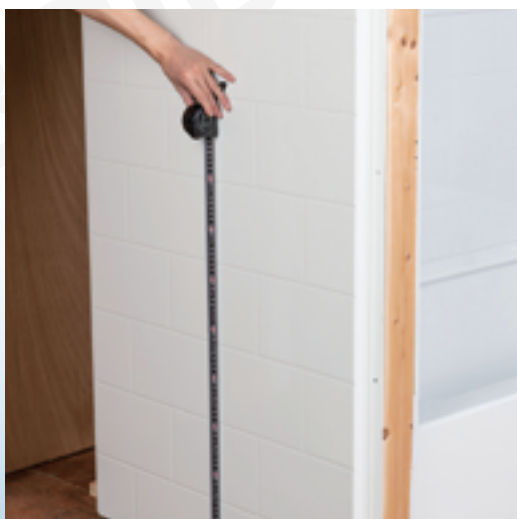
2. Upper Back Panel

Next, set the upper back panel by aligning and fully engaging the interlocking joint, then temporarily hold it with a screw and washer through the flange without overtightening.



3. Faucet & Accessory Openings

1. Transfer the valve, spout, and shower arm center points to the installed side panel by measuring vertically from the tub deck and horizontally from the reference wall.



2. Use a 1/8 in drill bit to make a pilot hole at each marked location. Then enlarge the hole with a hole saw sized according to the faucet manufacturer's specifications.

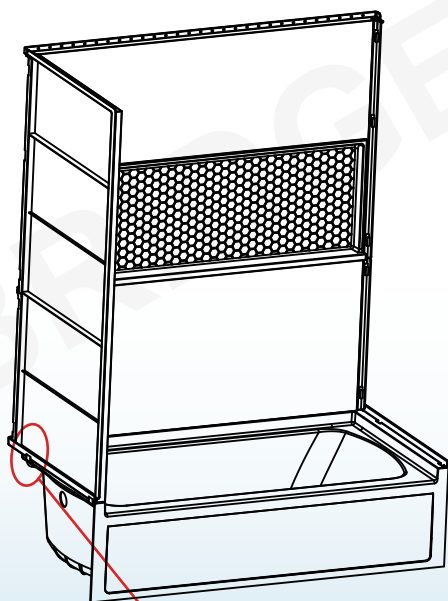
Support the wall panel firmly during drilling to minimize chipping or cracking, and always wear proper eye protection.



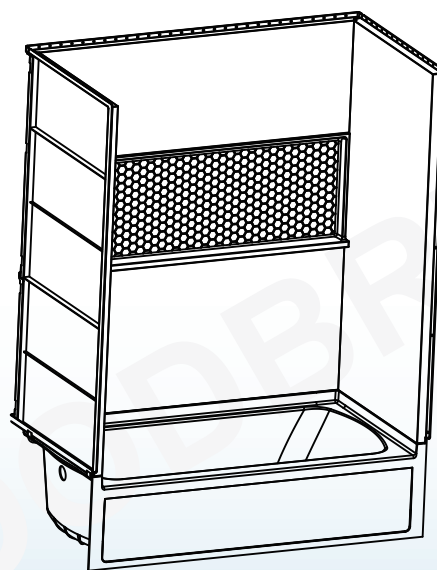
3. After all rough openings are prepared, install the trims and accessories. Seal each penetration on the panel surface with 100% silicone to ensure a watertight finish.

Note: Install the faucet, spout, and shower arm according to the manufacturer's instructions after completing wall panel installation.

4. Left & Right Side Panels



This buckle connects with the back panel



This protrusion coordinates with the groove of the lower back panel.

Slide the left and right-side panels into the back-panel channels, ensuring all locking clips and slots are fully engaged. Align the front edges flush with the tub's front and maintain tight seams. Secure the side panels through their flanges into studs from bottom to top and along the top edges.

5. After all the installations are completed, fix the wall panels with screws.

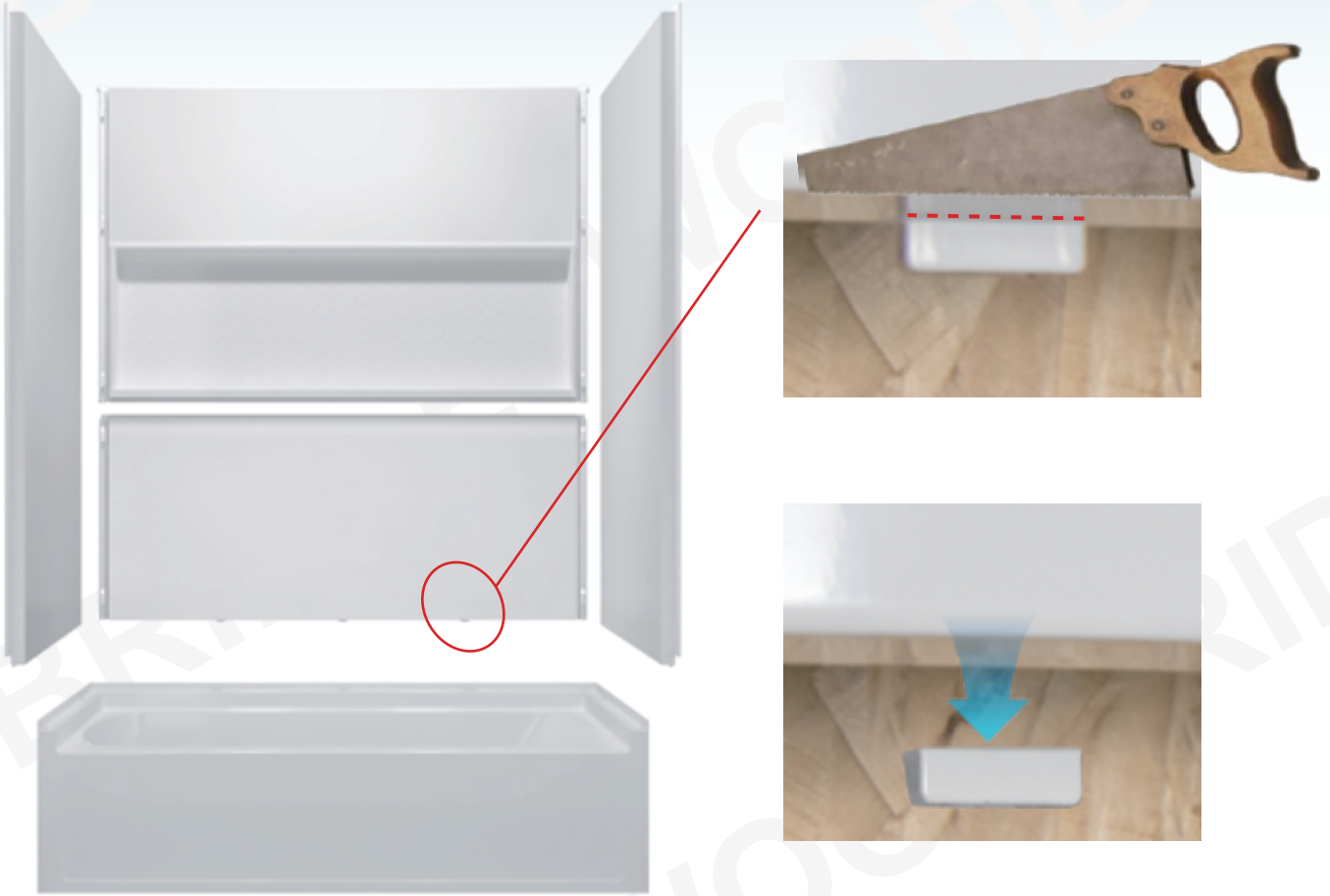


7. SEALING & FINISHING



1. Apply a continuous bead of 100% silicone sealant along all wall-to-wall and wall-to-bathtub joints.
2. Smooth the sealant with a damp rag or wet finger to achieve a clean finish, and remove any excess immediately.
3. Allow the silicone to cure for at least 24 hours before using the shower or bathtub.

8. COMPATIBILITY & ADJUSTMENT



If using a bathtub of the same 60" x 32" dimensions but from a different Woodbridge model or another brand, the raised tabs along the lower edge of the wall panels may need to be slightly trimmed or sanded to ensure a proper fit.

9. CARE AND MAINTENANCE

- Clean and maintain the shower wall panels regularly, ideally immediately after each use, to prevent buildup of soap scum, lime, and other residues that may cause discoloration or surface damage.
- Use a non-abrasive, all-purpose household cleaner or window cleaner. Always test the solution on an inconspicuous area before full application.
- Avoid abrasive products such as scouring powders, grit, acids, alkalis, ammonia, bleach, and acetone. Use only non-abrasive spray or cream cleansers, then rinse and dry thoroughly.
- After each use, wipe down panels with a squeegee or soft cloth to minimize water spots and soap film.
- Do not use metal brushes, abrasive pads, or scrapers, as they may scratch or dull the surface.

Woodbridge warrants the following products as listed below to be free from defects in material and workmanship, subjected to the limitations set forth in this limited warranty.

- Bathtub, Whirlpool/Air Bubble Massage Tub, Cold Plunge, Wooden Tub: 1 Year limited to be free of defects in material and workmanship.
- Sauna room and Sauna Tent: 1 Year limited to be free of defects in material and workmanship.
- Toilet and Bidet: 1 Year limited to be free of defects in material and workmanship.
- Faucet: 1 Year limited to be free of defects in material and workmanship.
- Vanity and Vanity Top: 1 Year limited to be free of defects in material and workmanship.
- Granite, Marble, Engineered Quartz Vanity Top: 1 Year limited to be free of defects in material and workmanship.
- Medicine Cabinet, LED Mirror: 1 Year limited to be free of defects in material and workmanship.
- Stainless Steel Sink: 1 Year limited to be free of defects in material and workmanship.
- Solid Surface Shower Wall Panel, SMC Shower Base: 10 Years limited warranty to be free from material defects.
- Drain Cover and PVC Drain: 1 Year limited to be free of defects in material and workmanship.
- Shower Door: Lifetime warranty on glass components and 1 Year limited on other hardware.

This limited warranty is non-transferable and only applies to products purchased and installed in the United States and Canada

This limited warranty excludes all industrial, commercial and business usage. Proof of purchase (original sales receipt) from the original purchaser, Description and pictures of defect, model number or model description must be provided to Woodbridge Bath for all warranty claims and Woodbridge Bath IS NOT responsible for labor cost, removal or installation costs.

This limited warranty shall not apply to goods which have been subject to accident, negligence, improper installation, product abuse, product misuse, or use of cleaners containing abrasives, alcohol or other organic solvents, whether performed by a contractor, service company, or yourself, are excluded from this warranty.

This warranty does not cover surface damaged caused by use of chemicals that break through or dissolve the surface finish or damage caused by the accidental dropping of sharp or heavy objects. Improper care and use of abrasive cleaners and will void the warranty.

During this limited warranty period if a malfunction occurs and after inspection it is determined that a defect developed during normal use, Woodbridge reserves the right to take any of the following actions at its discretion:

- (1) repair or replace the defective part(s) or product(s) at cost**
- (2) issue a refund of the original purchase price of the product(s) (Valid within 30 days from the date of purchase)**
- (3) issue a credit to be applied toward the purchase of a new product. Shipping or delivery charges may apply. Whether such charges are required, and the amount and conditions under which they apply, shall be determined solely at the discretion of Woodbridge.**

Caution:
NEVER use cleaners containing abrasives, ammonia, bleach, acids, waxes, alcohol, solvents or other products not recommended for chrome finishes. Doing so will void the warranty.

Woodbridge strongly recommends installation by a licensed and insured professional to ensure proper performance and safety.

RESPONSIBILITIES OF OTHERS

Inspecting the unit prior to installation is the responsibility of the installer or building contractor who acts on behalf of the user. They are responsible for ensuring the unit is free of defect or damage. Notices are placed on the unit and on the shipping carton advising the installer of this responsibility. In the event of a problem, the unit must not be installed. Woodbridge is not responsible for failures or damage that could have been discovered, repaired, or avoided by proper inspection and testing prior to installation.

Damage occurring in transit is the responsibility of the carrier. The user or installer MUST open the crate and inspect the unit for damage when it is delivered. If damage is discovered, it must be reported immediately to the seller and the carrier in writing, and an inspection requested. Failure of the carrier to respond should be reported to the seller and the carrier. Your freight claims should be filed promptly thereafter.

This limited warranty does not cover any liability for consequential or incidental damages, all of which are hereby expressly disclaimed, or the extension beyond the duration of this limited warranty of any implied limited warranties, including those of merchantability or fitness for an intended purpose.

DISCLAIMER

Except as expressly provided, there shall be no warranty or obligation, express or implied, oral or statutory. No dealer or other person has the authority to make any warranties or representations concerning or its products. In no event shall be held responsible for any such warranties or representations.

Some states/provinces do not allow limitations on how long an implied warranty lasts, or the exclusion on limitation of special, incidental or consequential damages, so these limitations and exclusions may not apply to you. This warranty gives you specific legal rights, you may also have other rights which vary from state/province to state/province.

To obtain warranty and replacement parts, please send e-mail to help@woodbridgebath.com with the original receipt information, Woodbridge will determine whether to repair or replace your product, issue a refund or issue a credit.

IMPORTANT!

DO NOT USE: Abrasive cleaners such as: acid, ammonia, bleach, and similar solutions. Use of such solutions may cause corrosion, finish peeling, and/or dull the surface.

DO NOT USE: Abrasive sponges or cloths. Never use steel, wool, or wire brushes that will permanently scratch the surface.

Retain these installation instructions for future reference!

Thank you for using WOODBRIDGE products!

WOODBRIDGE®

California (Norwalk) Distribution Center
15600 Blackburn Ave, Norwalk, CA 90650

New Jersey (Somerset) Distribution Center
635 Pierce St, Somerset, NJ 08873

Florida (Orlando) Distribution Center
13645 S Orange Ave, Orlando, FL 32824

Canada (Ontario) Distribution Center
615 Orwell Street, Unit C, Mississauga, ON L5A2W4, Canada

**SCAN
ME**

To Activate
Warranty



Please don't hesitate to contact us if you have any questions or concerns.

Customer Service Phone: 562-229-0088. (Monday - Friday 9 AM - 5 PM Pacific Standard Time)

Or Email: help@woodbridgebath.com

MANUEL D'INSTALLATION

WOODBIDGE®

Kits de Parois de Douche Composite et Baignoire



AWP-6032-CW64
TB-6032-L/TB-6032-R

BWP-6032-MW64
TB-6032-L/TB-6032-R

SCANNEZ
-MOI

Pour activer
la garantie



LISEZ TOUTES LES INSTRUCTIONS AVANT DE DÉBALLER LE PRODUIT

DES INSTRUCTIONS QUI, SI ELLES SONT IGNORÉES, PEUVENT ENTRAÎNER LA MORT OU DES BLESSURES GRAVES EN RAISON D'UNE MANIPULATION OU D'UNE INSTALLATION INCORRECTE DU PRODUIT. CES INSTRUCTIONS DOIVENT ÊTRE RESPECTÉES POUR UNE INSTALLATION SÛRE.

LOURD!



**LEVAGE EN
ÉQUIPE REQUIS**

LEVAGE EN ÉQUIPE REQUIS POUR L'INSTALLATION DE CE PRODUIT.

Assistance client: 562-229-0088 (Du lundi au vendredi, de 9h à 17h, heure du Pacifique).

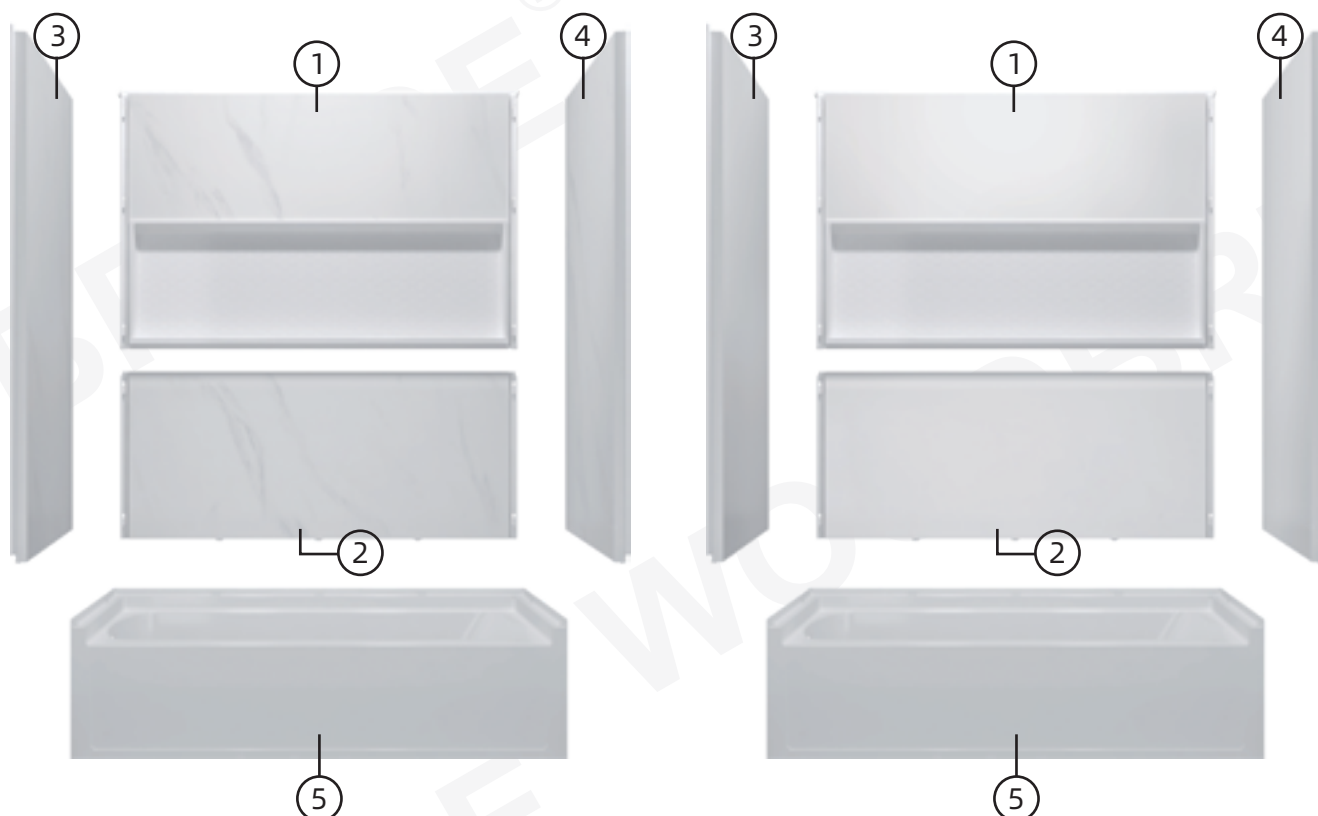
Courriel: help@woodbridgebath.com

1. COMPOSANTS DU PRODUIT & OPTIONS D'EMBALLAGE

IMPORTANT - À LIRE D'ABORD

Le kit de parois et la baignoire peuvent être vendus séparément ou ensemble en pack complet.

Veuillez vérifier votre bon de commande ou l'étiquette du produit pour confirmer les articles inclus.



Composants inclus: 4 x Panneaux muraux		+1 x Manuel d'installation		
A. Kit de Parois		Pièce	Largeur	Hauteur
Modèle: AWP-6032-CW64 / BWP-6032-MW64	①	Paroi arrière supérieure	60"(1524mm)	39-1/4"(996mm)
	②	Paroi arrière inférieure	60"(1524mm)	25-1/4"(643mm)
	③	Paroi latérale gauche	32-1/4"(819mm)	63-7/8"(1621mm)
	④	Paroi latérale droite	32-1/4"(819mm)	63-7/8"(1621mm)

Composants inclus: 1 x Baignoire (Évacuation à gauche ou à droite)		+1 x Manuel d'installation		
B. Kit Baignoire		Pièce	Longueur	Largeur
Modèle: TB-6032-L / TB-6032-R	⑤	Baignoire (Évacuation à gauche ou à droite)	60"(1524mm)	32"(813mm)

C. Pack Complet	
Inclut tous les composants du Kit de Parois et du Kit Baignoire.	
Modèle 1: AWP-6032-CW64 + TB-6032-L/R Modèle 2: BWP-6032-MW64 + TB-6032-L/R	

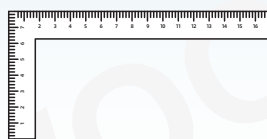
2. OUTILS REQUIS



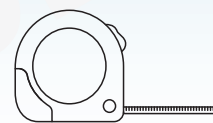
Niveau



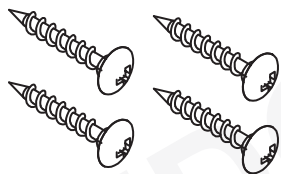
Crayon



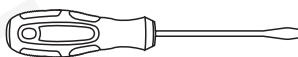
Équerre



Mètre ruban



Vis M5*12



Tournevis



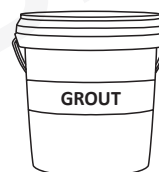
Équipements de Protection Individuelle (EPI)



Mastic silicone transparent 100%



Pistolet à calfeutrer



Mortier-colle ou joint de carrelage

3. AVANT L'INSTALLATION ET L'UTILISATION

Veillez lire attentivement ce manuel avant de déballer ou d'installer le produit.

- Vérifiez tous les composants pour détecter tout dommage de transport ou pièce manquante.
- N'installez pas et n'utilisez pas le produit si une pièce est endommagée ou manquante. Contactez immédiatement le Service Client WOODBRIDGE®.
- Tenez le produit et l'emballage hors de portée des enfants.
- Conservez les panneaux à température ambiante avant l'installation pour des performances optimales du système d'assemblage et des fixations.
- Si vous utilisez une baignoire d'une autre marque que WOODBRIDGE® avec une géométrie de rebord différente, ajustez les bords de positionnement si nécessaire pour assurer un ajustement complet.
- Protégez toujours les surfaces finitionnées pendant le perçage et la fixation.
- Avant de commencer, effectuez un essai à sec complet de la baignoire et de tous les panneaux muraux pour confirmer l'engagement du système d'assemblage, l'alignement du bord avant avec le plateau de la baignoire et un jeu d'installation correct.

4. PRÉPARATION DE LA SURFACE MURALE

Le panneau mural comprend une niche saillante à l'arrière.

En raison de la faible épaisseur de contact avec le mur de la niche, l'installation ne nécessite ni ossature ni découpe ou ouverture du mur.

Le panneau peut être monté directement sur le mur à l'aide de vis et d'un adhésif de fixation.

Veuillez vous assurer que la surface du mur est plane, propre et structurellement solide avant l'installation.

5. INSTALLATION DE LA BAIGNOIRE

1. Caractéristiques de conception de la baignoire



Le rebord de la baignoire comporte sept rainures qui viennent s'emboîter dans les protubérances inférieures des panneaux muraux, maintenant ainsi le panneau en place et empêchant tout mouvement dans toutes les directions.



Vue installée



Ces cinq trous ronds sont conçus pour faciliter l'élévation de la baignoire pour les clients qui le souhaitent. Insérez des cylindres du diamètre correspondant dans ces trous pour servir de pieds de support à la baignoire. Les accessoires sont personnalisés par le client lui-même.

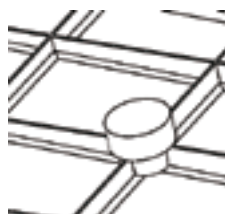


Diagramme de l'effet d'installation

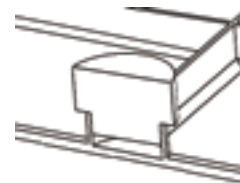


Diagramme de l'effet d'installation en coupe

2. Étapes d'installation

Étape 1 - Préparer la zone

Assurez-vous que le sous-plancher est solide, propre et de niveau. Vérifiez que le trou d'évacuation et la plomberie approximative sont alignés sur les spécifications de la baignoire.

Étape 2 - Vérification de l'ajustement et de l'alignement

Placez la baignoire en position pour vérifier l'ajustement et l'alignement avec l'ossature murale. Vérifiez que le bord avant est aligné avec la position prévue du panneau mural.



Étape 3 - Mise en place et mise à niveau de la baignoire

Abaissez soigneusement la baignoire dans l'emplacement d'installation et vérifiez qu'elle est de niveau, tant d'avant en arrière que d'un côté à l'autre. Si le sous-plancher n'est pas plan, installer la zone du bassin sur un lit de mortier de 1-2 pouces (25-51 mm) ou placer des cales sous les pieds de support d'usine afin que toutes les supports portent de manière uniforme.

Une fois mise à niveau, connecter le drain de la baignoire à la conduite d'évacuation et placer une protection à l'intérieur de la baignoire pour éviter tout dommage pendant l'installation des parois.

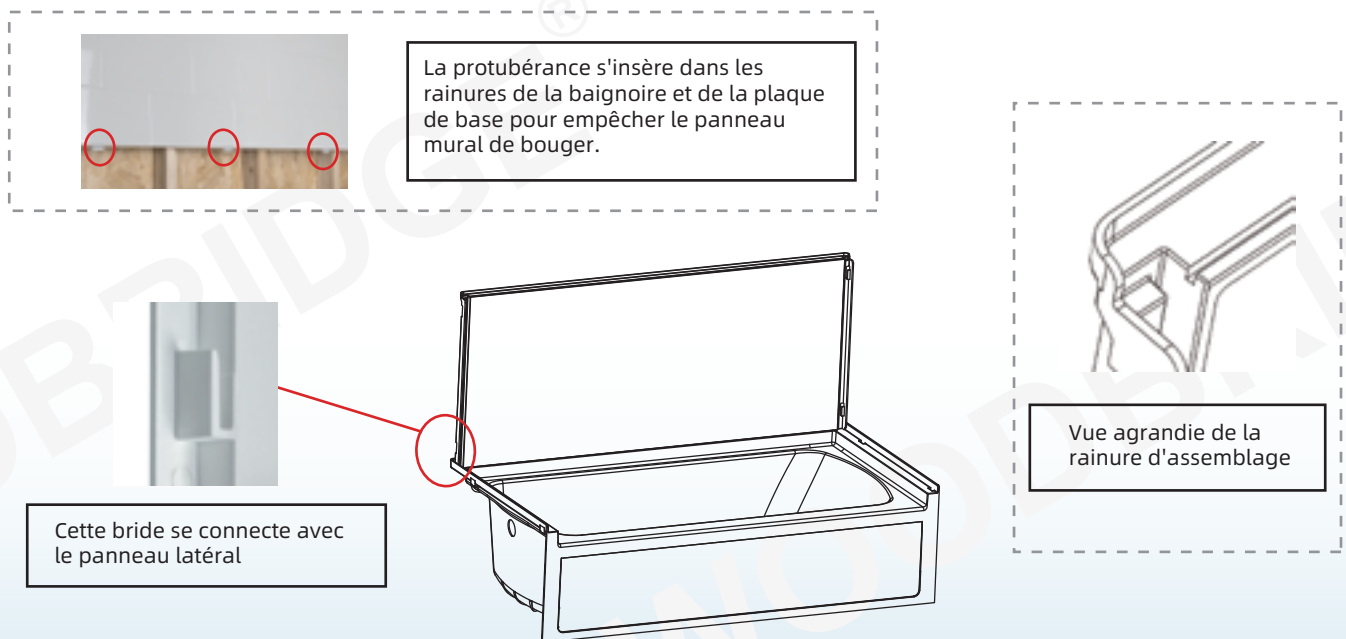
Étape 4 - Drain & Trop-plein (Non fourni)

Installer l'ensemble de drain et de trop-plein conformément aux instructions du fabricant. Tester l'étanchéité avant de procéder à l'installation des panneaux muraux.

6. INSTALLATION DES PANNEAUX MURAUX

1. Panneau arrière inférieur

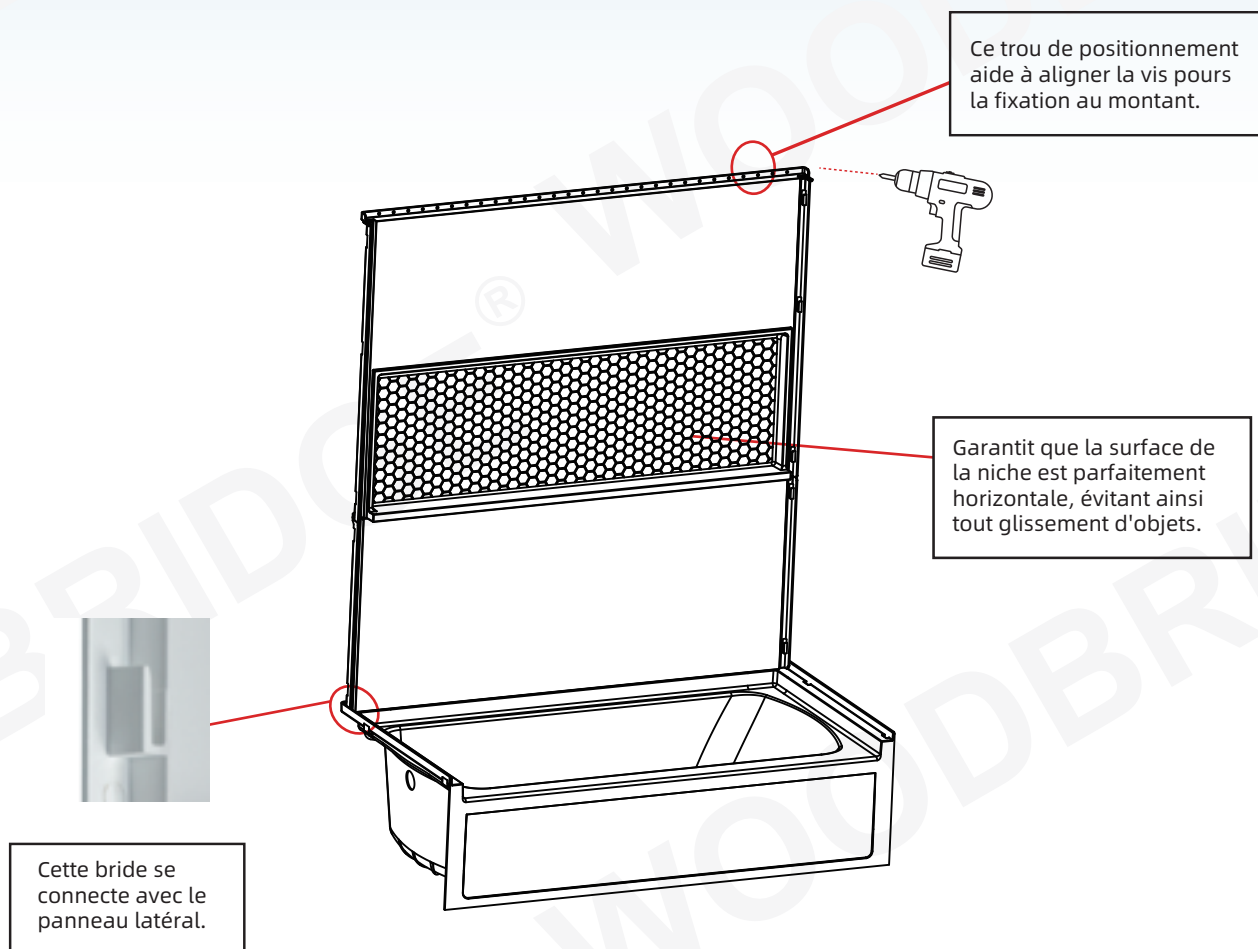
Le panneau arrière est divisé en sections supérieure et inférieure pour un transport et une installation plus faciles. La rainure d'assemblage connecte les deux parties, formant un joint étanche et imperméable.



Commencez par le panneau arrière inférieur en le positionnant sur le rebord arrière de la baignoire ou sur le bord de repérage. Mettez le panneau d'aplomb et, si nécessaire, placez des cales derrière les brides pour maintenir la face bien droite.

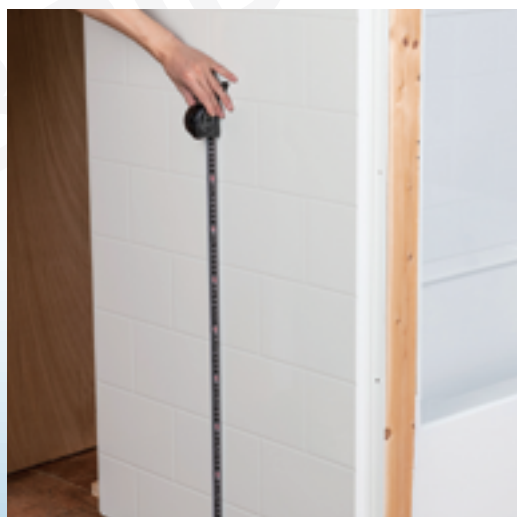
2. Panneau arrière supérieur

Ensuite, installez le panneau arrière supérieur en alignant et en engageant complètement le joint d'assemblage. Maintenez-le temporairement à l'aide d'une vis et d'une rondelle placée through la bride, sans serrer excessivement.



3. Ouvertures pour robinetterie et accessoires

1. Reportez les points centraux de la vanne, du bec et du bras de douche sur le panneau latéral installé. Pour ce faire, mesurez verticalement à partir du rebord de la baignoire et horizontalement à partir du mur de référence.



2. Utilisez un foret de 1/8 de pouce pour réaliser un trou de guidage à chaque emplacement marqué. Agrandissez ensuite le trou à l'aide d'une scie cloche de dimension spécifiée par le fabricant de la robinetterie.

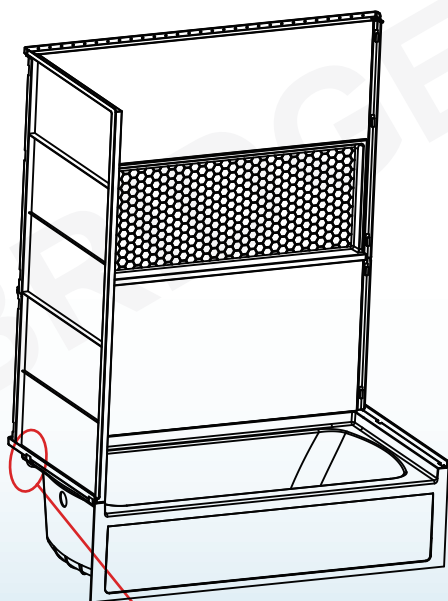
Maintenez fermement le panneau mural pendant le perçage pour minimiser les éclats ou les fissures, et portez toujours une protection oculaire adaptée.



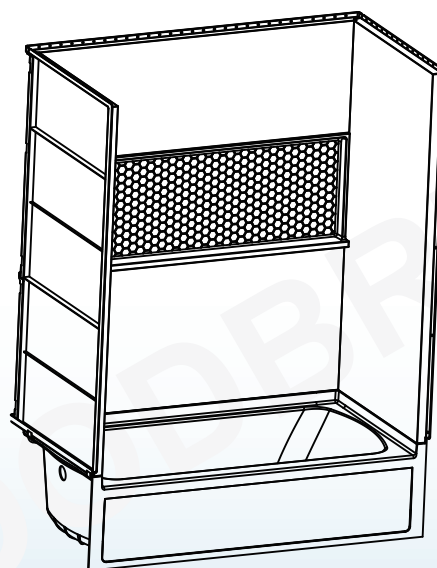
3. Une fois que toutes les ouvertures brutes sont préparées, installez les garnitures et les accessoires. Scellez chaque pénétration sur la surface du panneau avec du silicone 100% pour assurer une finition étanche.

Remarque : Installez le robinet, le bec et le bras de douche conformément aux instructions du fabricant après avoir terminé l'installation des panneaux muraux.

4. Panneaux latéraux gauche et droit



Cette bride se connecte avec le panneau latéral.



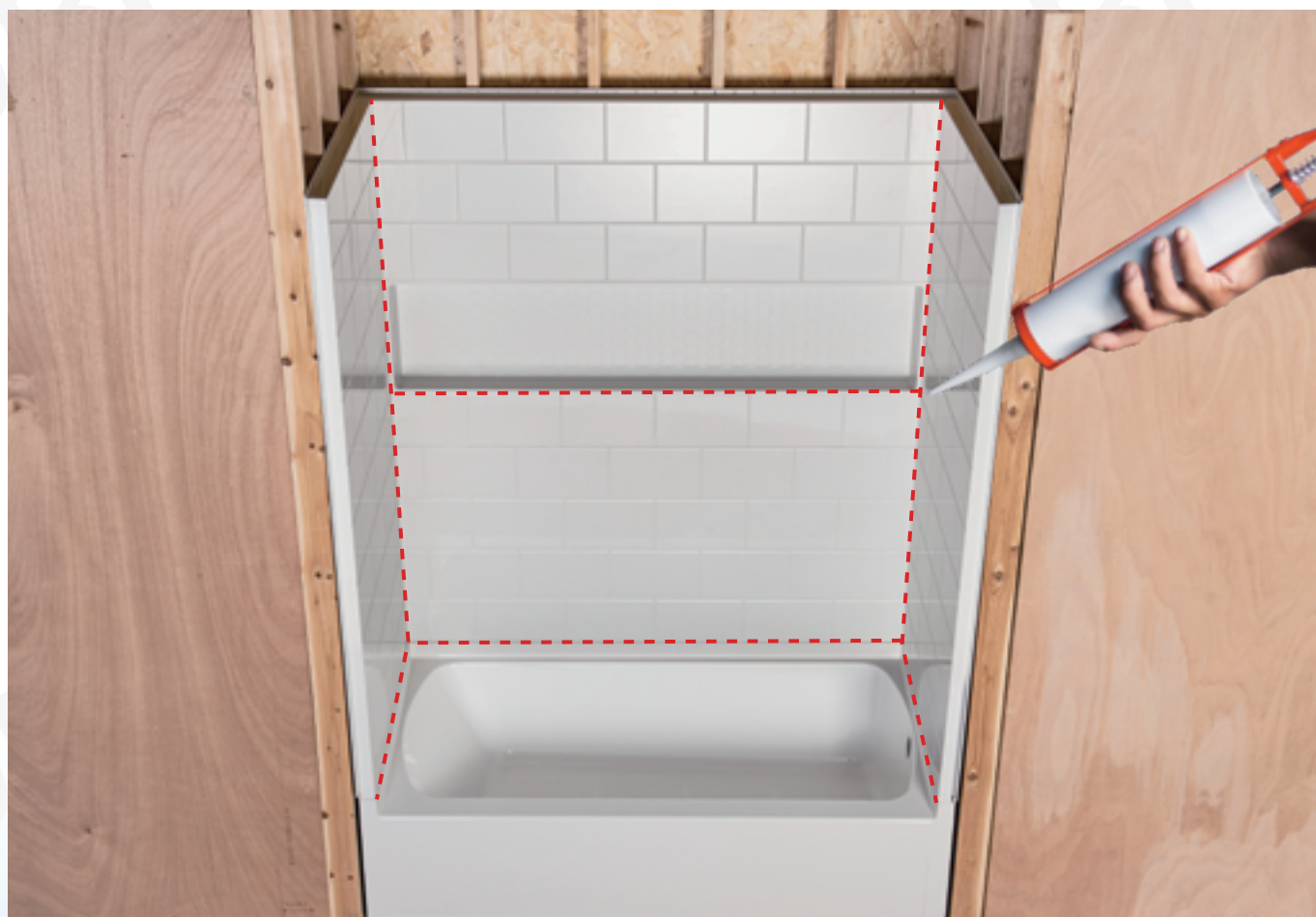
Cette protubérance s'ajuste avec la rainure du panneau arrière inférieur.

Faites coulisser les panneaux latéraux gauche et droit dans les canaux du panneau arrière, en vous assurant que tous les clips et logements de verrouillage sont complètement engagés. Alignez les bords avant au ras de l'avant de la baignoire et maintenez des joints serrés. Fixez les panneaux latéraux en vissant à travers leurs brides dans les montants, de bas en haut et le long des bords supérieurs.

5. Une fois toutes les installations terminées, fixez les panneaux muraux avec des vis.

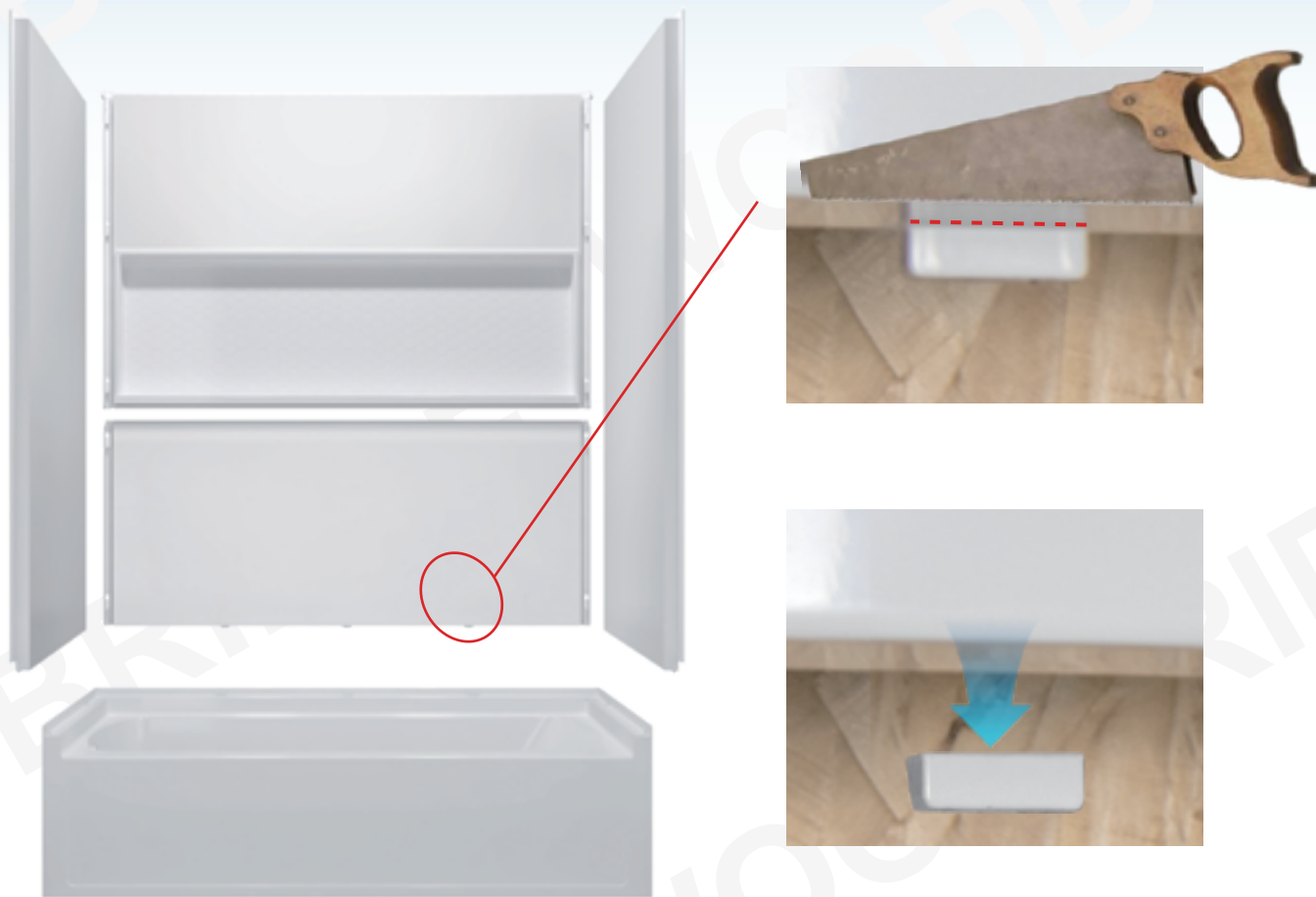


7. ÉTANCHÉITÉ & FINITION



1. Les deux surfaces doivent être en contact étroit et pressées sur toute leur longueur jusqu'en bas. Appliquez un cordon continu de mastic silicone 100 % sur tous les joints panneau-panneau et panneau-baignoire.
2. Lissez le joint à l'aide d'un chiffon humide ou d'un doigt mouillé pour obtenir une finition nette, et éliminez immédiatement tout excédent.
3. Laissez le silicone durcir pendant au moins 24 heures avant d'utiliser la douche ou la baignoire.

8. COMPATIBILITÉ & AJUSTEMENT



Si vous utilisez une baignoire aux mêmes dimensions de 60 pouces sur 32 pouces mais d'un modèle Woodbridge différent ou d'une autre marque, les languettes surélevées le long du bord inférieur des panneaux de douche peuvent nécessiter d'être légèrement meulées ou poncées pour garantir un ajustement parfait.

9. ENTRETIEN ET MAINTENANCE

- Nettoyez et entretenez régulièrement les panneaux muraux de douche, idéalement immédiatement après chaque utilisation, afin d'éviter l'accumulation de résidus de savon, de calcaire et autres dépôts susceptibles de provoquer une décoloration ou une détérioration de la surface.
- Utilisez un nettoyant ménager non abrasif multi-usage ou un produit pour vitres. Testez toujours la solution sur une zone peu visible avant application complète.
- Évitez les produits abrasifs tels que les poudres à récurer, les abrasifs, les acides, les alcalis, l'ammoniaque, l'eau de Javel (javel) et l'acétone. Utilisez uniquement des nettoyants en spray ou crème non abrasifs, puis rincez et séchez soigneusement.
- Après chaque utilisation, essuyez les panneaux avec une raclette ou un chiffon doux pour minimiser les traces d'eau et le dépôt de savon.
- N'utilisez pas de brosses métalliques, de tampons abrasifs ou de grattoirs, car ils peuvent rayer ou ternir la surface.

Woodbridge garantit que les produits énumérés ci-dessous sont exempts de tout défaut de matériau et de fabrication, sous réserve des limitations stipulées dans la présente garantie limitée.

- Baignoire, baignoire de massage à remous/à bulles d'air, baignoire à immersion froide, Baignoire en bois: 1 an de garantie contre les défauts de matériaux et de fabrication.
- Salle de sauna et tente de sauna: 1 an de garantie contre les défauts de matériaux et de fabrication.
- Toilettes et bidet: 1 an de garantie contre les défauts de matériaux et de fabrication.
- Robinetterie: 1 an de garantie contre les défauts de matériaux et de fabrication.
- Meuble-lavabo et dessus de meuble-lavabo: 1 an de garantie contre les défauts de matériaux et de fabrication.
- Dessus de meuble-lavabo en granit, en marbre ou en quartz reconstitué: 1 an de garantie contre les défauts de matériaux et de fabrication.
- Armoire à pharmacie, miroir à DEL: 1 an contre les défauts de matériaux et de fabrication.
- Évier en acier inoxydable: 1 an de garantie contre les défauts de matériaux et de fabrication.
- Panneau de douche en surface solide et receveur de douche en SMC : garantie limitée de 10 ans contre tout défaut de matériau.
- Couvercle de drain et drain en PVC: garantie limitée de 1 an contre les défauts de matériaux et de fabrication.
- Porte de douche: garantie à vie sur les composants en verre et garantie limitée à 1 an sur les autres éléments de quincaillerie.

Cette garantie limitée n'est pas transférable et ne s'applique qu'aux produits achetés et installés aux États-Unis et au Canada.

Cette garantie limitée exclut toute utilisation industrielle, commerciale ou professionnelle. Une preuve d'achat (reçu de vente original) du premier acheteur, ainsi qu'une description et des photos du défaut, le numéro de modèle ou la description du modèle doivent être fournis à Woodbridge Bath pour toute réclamation au titre de la garantie. Woodbridge Bath n'est PAS responsable des coûts de main-d'œuvre, ni des frais de dépose ou d'installation.

Cette garantie limitée ne s'applique pas aux produits ayant fait l'objet d'un accident, d'une négligence, d'une installation incorrecte, d'un abus ou d'une mauvaise utilisation du produit, ou de l'utilisation de nettoyeurs contenant des abrasifs, de l'alcool ou d'autres solvants organiques, qu'elle soit effectuée par un entrepreneur, une société de service ou vous-même.

Cette garantie ne couvre pas les dommages de surface causés par l'utilisation de produits chimiques qui percent ou dissolvent la finition de la surface ou les dommages causés par la chute accidentelle d'objets lourds ou tranchants. Un mauvais entretien et l'utilisation de nettoyeurs abrasifs annulent la garantie.

Pendant cette période de garantie limitée, si un dysfonctionnement se produit et qu'après inspection il est déterminé qu'un défaut est apparu lors d'une utilisation normale, Woodbridge se réserve le droit, à sa discrétion, de prendre l'une des actions suivantes :

- (1) réparer ou remplacer la ou les pièces ou le ou les produits défectueux au prix coûtant
- (2) rembourser le prix d'achat initial du ou des produits (valable dans un délai de 30 jours à compter de la date d'achat)
- (3) émettre un crédit à appliquer à l'achat d'un nouveau produit. Des frais d'expédition ou de livraison peuvent s'appliquer. La décision d'imposer de tels frais, ainsi que leur montant et les conditions dans lesquelles ils s'appliquent, relève exclusivement de la discrétion de Woodbridge.

Attention:

N'UTILISEZ JAMAIS de produits nettoyeurs contenant des abrasifs, de l'ammoniaque, de l'eau de Javel, des acides, des cires, de l'alcool, des solvants ou tout autre produit non recommandé pour les finitions chromées. Le non-respect de cette instruction entraînera l'annulation de la garantie. Woodbridge recommande fortement que l'installation soit effectuée par un professionnel qualifié et assuré afin d'assurer la performance et la sécurité du produit.

RESPONSABILITÉS D'AUTRUI

L'inspection de l'appareil avant son installation incombe à l'installateur ou à l'entrepreneur en bâtiment qui agit au nom de l'utilisateur. Il doit s'assurer que l'appareil ne présente aucun défaut ou dommage. Des avis sont placés sur l'appareil et sur le carton d'expédition pour informer l'installateur de cette responsabilité. En cas de problème, l'appareil ne doit pas être installé. Woodbridge n'est pas responsable des défaillances ou des dommages qui auraient pu être découverts, réparés ou évités par une inspection et des essais appropriés avant l'installation. Les dommages survenus pendant le transport relèvent de la responsabilité du transporteur.

L'installateur DOIT ouvrir la caisse et inspecter l'appareil pour vérifier qu'il n'est pas endommagé lors de la livraison. Si des dommages sont constatés, ils doivent être immédiatement signalés par écrit au vendeur et au transporteur, et une inspection doit être demandée. L'absence de réponse du transporteur doit être signalée au vendeur et au transporteur. Les réclamations concernant le fret doivent être déposées sans délai.

Cette garantie limitée ne couvre pas la responsabilité pour les dommages consécutifs ou accessoires, qui sont tous expressément rejetés par la présente, ou l'extension au-delà de la durée de cette garantie limitée de toute garantie limitée implicite, y compris celles de la qualité marchande ou de l'adéquation à l'usage prévu.

CLAUSE DE NON-RESPONSABILITÉ

Sauf disposition expresse, il n'existe aucune garantie ou obligation, expresse ou implicite, orale ou statutaire. Aucun revendeur ou autre personne n'est habilité à donner des garanties ou à faire des déclarations concernant ses produits. En aucun cas, nous ne pourrions être tenus responsables de telles garanties ou représentations.

Certains États/provinces n'autorisent pas la limitation de la durée d'une garantie implicite, ni l'exclusion ou la limitation des dommages spéciaux, accessoires ou indirects, de sorte que ces limitations et exclusions peuvent ne pas s'appliquer à vous. Cette garantie vous donne des droits légaux spécifiques, vous pouvez également avoir d'autres droits qui varient d'un état/province à l'autre.

Pour bénéficier de la garantie et obtenir des pièces de rechange, veuillez envoyer un courrier électronique à help@woodbridgebath.com en joignant les informations du reçu original. Woodbridge déterminera s'il convient de réparer ou de remplacer votre produit, de le rembourser ou de lui accorder un crédit.

IMPORTANT!

- N'UTILISEZ PAS:** Des nettoyeurs abrasifs tels que l'acide, l'ammoniaque, l'eau de Javel et autres solutions similaires. L'utilisation de telles solutions peut provoquer de la corrosion, un décollement de la finition et/ou un ternissement de la surface.
- N'UTILISEZ PAS:** Des éponges ou des tissus abrasifs. N'utilisez jamais d'objets tels que de l'acier, de la laine ou des brosses métalliques qui rayeraient de façon permanente la surface du produit.

Conservez ces instructions d'installation pour vous y référer ultérieurement!

Merci d'utiliser les produits **WOODBIDGE!**

WOODBIDGE®

Canada (Ontario) Centre de distribution
615 Orwell Street, Unit C, Mississauga, ON L5A2W4, Canada

California (Norwalk) Centre de distribution
15600 Blackburn Ave, Norwalk, CA 90650

New Jersey (Somerset) Centre de distribution
635 Pierce St, Somerset, NJ 08873

Floride (Orlando) Centre de distribution
13645 S Orange Ave, Orlando, FL 32824

**SCANNEZ
-MOI**

**Pour activer
la garantie**



Si vous avez des questions ou des préoccupations, n'hésitez pas à nous contacter.

Téléphone du service à la clientèle: 562 -229 -0088.(9 h à 17 h, heure normale du Pacifique, du lundi au vendredi) ou par courriel à: help@woodbridgebath.com

